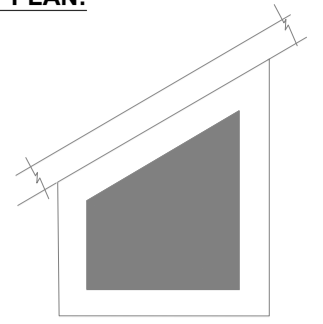
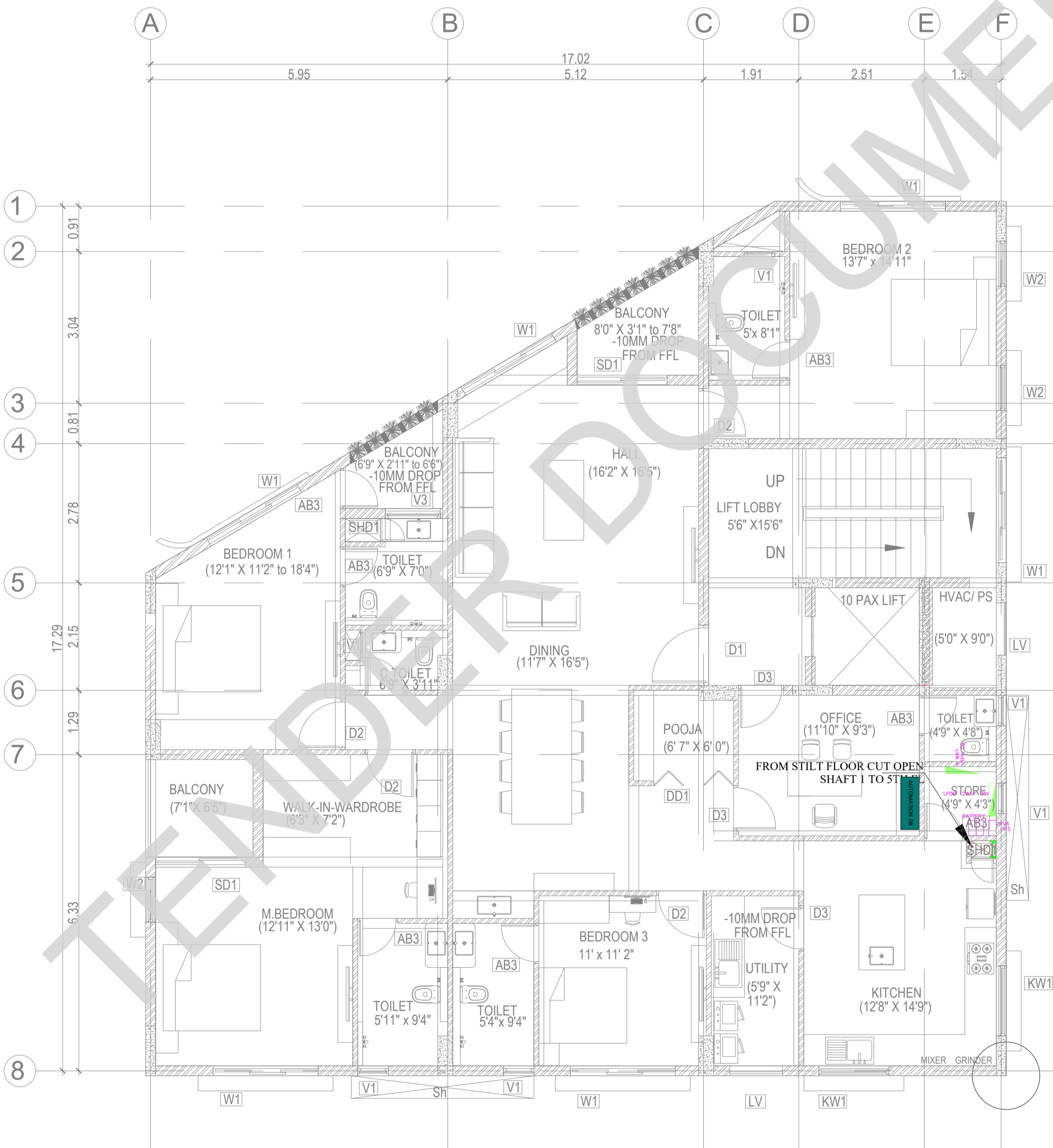


**KEY PLAN:**



**LEGENDS:**

SYMBOL	DESCRIPTION
	1X45W LED STREET LIGHT FITTING SINGLE ARM SMTR HEIGHT POLE
	LED FLOOD LIGHT
	ELECTRICAL-HUME PIPE-300MM
	ELECTRICAL-HDPE PIPE-110MM
	ELV-HDPE PIPE-110MM
	150mm (W) x 50mm (H) Ladder Type Cable Tray
	300mm (W) x 50mm (H) Ladder Type Cable Tray
	450mm (W) x 50mm (H) Ladder Type Cable Tray
	ELECTRICAL MAN HOLE-1250X1250X1000MM



**ABBREVIATIONS:**


- ES - ELECTRICAL SHAFT
- PS - PLUMBING SHAFT
- AC - AIR CONDITIONING
- FS - FIRE SHAFT
- TS - TELEPHONE SHAFT

**REVISION**

NO.	DATE	DESCRIPTION

NOTE:  
ALL DIMENSIONS ARE IN METERS.  
ALL DIMENSIONS TO BE CHKD. AT SITE.  
DO NOT SCALE THE DRAWING  
IN THE EVENT OF ANY DISCREPANCIES OR DIFFERENCES BETWEEN ARCHITECT DRAWINGS, STRUCTURAL DRAWING AND SITE CONDITIONS, IMMEDIATE REFERENCE IS TO BE MADE TO THE ARCHITECT PRIOR TO THE EXECUTION OF WORK AT THE SITE.

**ARCHITECTS & EP CONSTRUCTION:**

 Taamaesek Engineering Consortium  
New no. 5, Old no.2a, Bishop Wallers Avenue west, Mylapore, Chennai - 600 004. Ph:044-24671157/1139. Fax : 044-24672237. url:www.taamaesek.com e-mail: info@taamaesek.com

**CLIENT:**




M/s. INDIAN BANK  
254-260, INDIAN BANK CORPORATE OFFICE, AVVAI SHANMUGAM SALAI, ROYAPETTAH, CHENNAI - 4.

**PROJECT:**

Tender ID: CO.EST.TNDR-MBC-001-2023-24  
PROPOSED CONSTRUCTION OF RESIDENTIAL BUILDING (Stilt + 5 Floors) @MUSIRI SUBRAMANIAM SALAI, CHENNAI - 600 004.

**DRAWING STAGE: INFORMATION COPY**

DRAWN BY :	PS	NORTH  SHEET SIZE A2
CHECKED BY :	AK	
SCALE :	1:1000	
DATE :	19.09.2024	

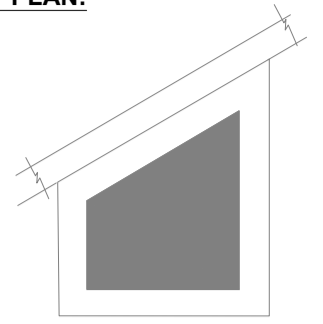
**DRAWING TITLE:**

INTERNAL EECR TYPICAL FLOOR PLAN

Drawing number: TMA/292/IB/ELE & ELE/ELE-04

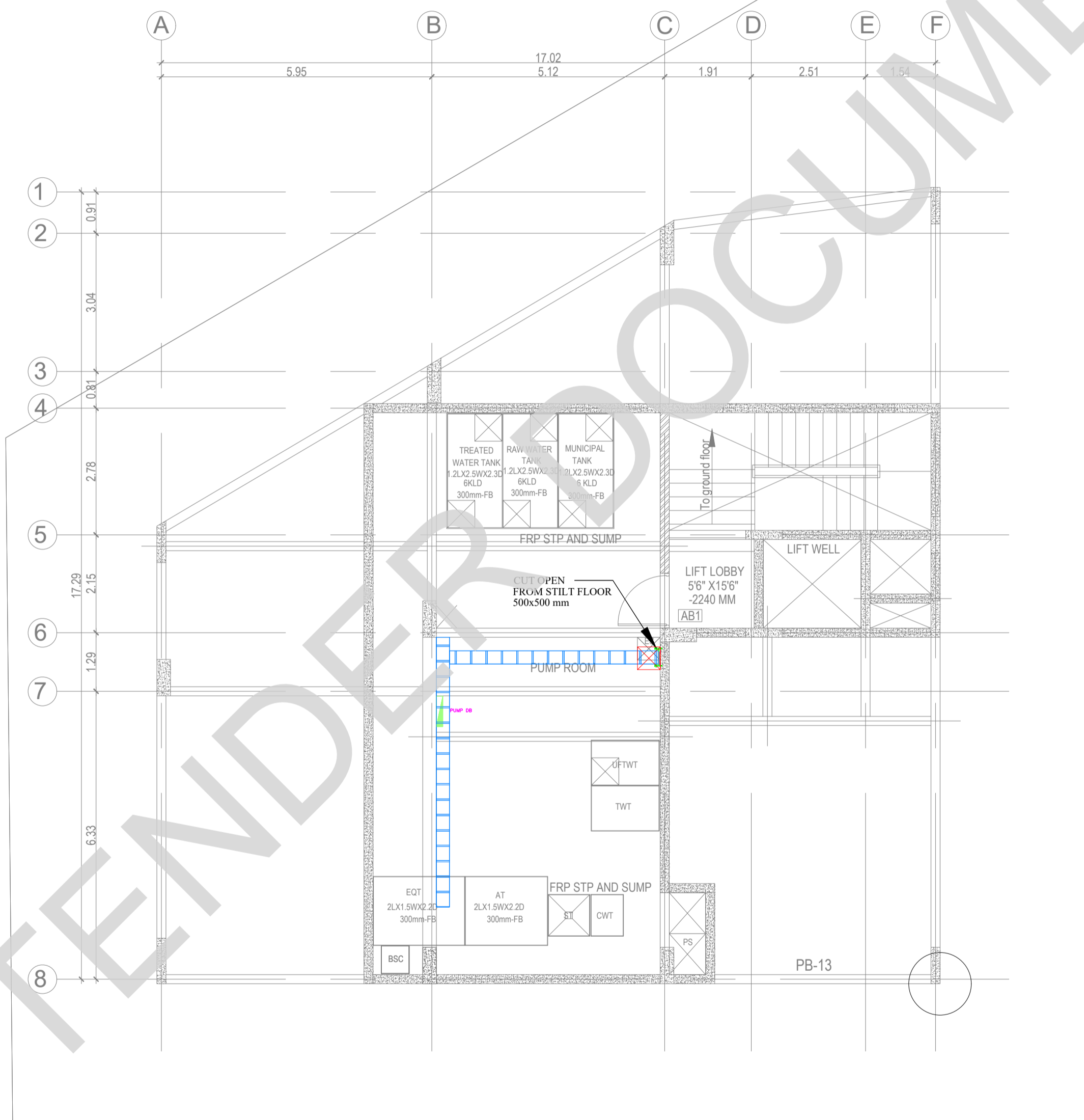
Project code	Project name	Stage of Construction	Type of Drawing	Drawing number	Revision
TMA-292	IB	IFC	ELECTRICAL	ELE-04	R1

**KEY PLAN:**



**LEGENDS:**

SYMBOL	DESCRIPTION
	1X45W LED STREET LIGHT FITTING SINGLE ARM SMTR HEIGHT POLE
	LED FLOOD LIGHT
	ELECTRICAL-HUME PIPE-300MM
	ELECTRICAL-HDPE PIPE-110MM
	ELV-HDPE PIPE-110MM
	150mm (W) x 50mm (H) Ladder Type Cable Tray
	300mm (W) x 50mm (H) Ladder Type Cable Tray
	450mm (W) x 50mm (H) Ladder Type Cable Tray
	P1 ELECTRICAL MAN HOLE-1250X1250X1000MM



**ABBREVIATIONS:**

- ES - ELECTRICAL SHAFT
- PS - PLUMBING SHAFT
- AC - AIR CONDITIONING
- FS - FIRE SHAFT
- TS - TELEPHONE SHAFT

**REVISION**

NO.	DATE	DESCRIPTION

NOTE:  
ALL DIMENSIONS ARE IN METERS.  
ALL DIMENSIONS TO BE CHKD. AT SITE.  
DO NOT SCALE THE DRAWING  
IN THE EVENT OF ANY DISCREPANCIES OR DIFFERENCES BETWEEN ARCHITECT DRAWINGS, STRUCTURAL DRAWING AND SITE CONDITIONS, IMMEDIATE REFERENCE IS TO BE MADE TO THE ARCHITECT PRIOR TO THE EXECUTION OF WORK AT THE SITE.

**ARCHITECTS & EP CONSTRUCTION:**

Taamaesek Engineering Consortium  
New no. 5, Old no.2a, Bishop Wallers Avenue west, Mylapore, Chennai - 600 004. Ph:044-24671157/1139. Fax : 044-24672237. url:www.taamaesek.com e-mail: info@taamaesek.com

**CLIENT:**



M/s. INDIAN BANK  
254-260, INDIAN BANK CORPORATE OFFICE, AVVAI SHANMUGAM SALAI, ROYAPETTAH, CHENNAI - 4.

**PROJECT:**

Tender ID: CO.EST.TNDR-MBC-001-2023-24  
PROPOSED CONSTRUCTION OF RESIDENTIAL BUILDING (Still + 5 Floors) @MUSIRI SUBRAMANIAM SALAI, CHENNAI - 600 004.

**DRAWING STAGE: INFORMATION COPY**

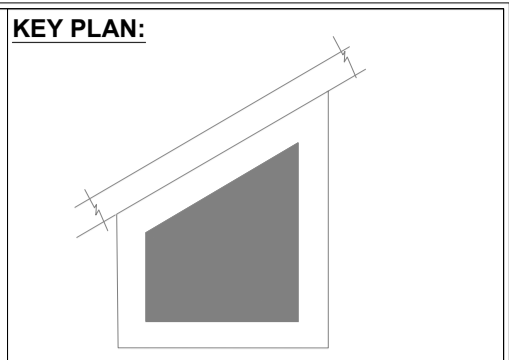
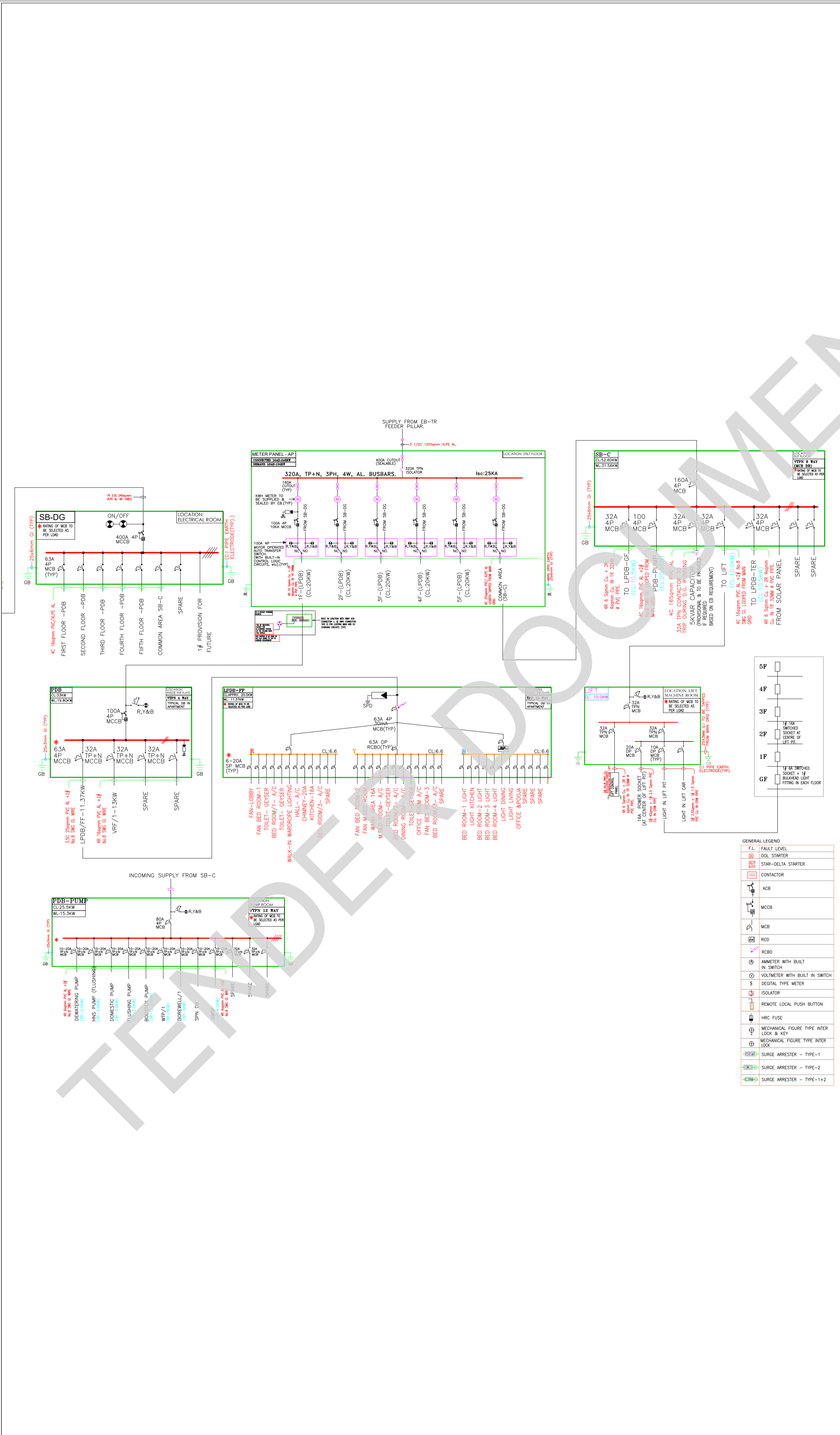
DRAWN BY :	PS	NORTH  SHEET SIZE A2
CHECKED BY :	AK	
SCALE :	1:1000	
DATE :	19.09.2024	

**DRAWING TITLE:**

INTERNAL EECR BASEMENT FLOOR PLAN

Drawing number: TMA/292/IB/ELE & ELE /ELE-02

Project code	Project name	Stage of Construction	Type of Drawing	Drawing number	Revision
TMA-292	IB	IFC	ELECTRICAL	ELE-02	R1



**LEGENDS:**

**GENERAL LEGEND**

F.L.	FAULT LEVEL
	DOL STARTER
	STAR-DELTA STARTER
	CONTACTOR
	ACB
	MCCB
	MCB
	RCD
	RCBO
	AMMETER WITH BUILT IN SWITCH
	VOLTMETER WITH BUILT IN SWITCH
	DIGITAL TYPE METER
	ISOLATOR
	REMOTE LOCAL PUSH BUTTON
	HRC FUSE
	MECHANICAL FIGURE TYPE INTER LOCK & KEY
	MECHANICAL FIGURE TYPE INTER LOCK
	SURGE ARRESTER - TYPE-1
	SURGE ARRESTER - TYPE-2
	SURGE ARRESTER - TYPE-1+2

**ABBREVIATIONS:**

ES-	ELECTRICAL SHAFT
PS-	PLUMBING SHAFT
AC-	AIR CONDITIONING
FS-	FIRE SHAFT
TS-	TELEPHONE SHAFT

**REVISION**

NO.	DATE	DESCRIPTION

**NOTE:**  
 ALL DIMENSIONS ARE IN METERS.  
 ALL DIMENSIONS TO BE CHKD. AT SITE.  
 DO NOT SCALE THE DRAWING  
 IN THE EVENT OF ANY DISCREPANCIES OR DIFFERENCES BETWEEN ARCHITECT DRAWINGS, STRUCTURAL DRAWING AND SITE CONDITIONS, IMMEDIATE REFERENCE IS TO BE MADE TO THE ARCHITECT PRIOR TO THE EXECUTION OF WORK AT THE SITE.

**ARCHITECTS & EP CONSTRUCTION:**

Taamesek Engineering Consortium  
 New no. 5, Old no.2a, Bishop Wallers Avenue west, Mylapore, Chennai - 600 004. Ph:044-24671157/1139. Fax : 044-24672237. url:www.taamesek.com e-mail: info@taamesek.com

**CLIENT:**

Indian Bank  
 Mrs. INDIAN BANK  
 254-260, INDIAN BANK CORPORATE OFFICE, AVVAI SHANMUGAM SALAI, ROYAPETTAH, CHENNAI - 4.

**PROJECT:**

Tender ID: CO.EST.TNDR.MBC.001.2023-24  
 PROPOSED CONSTRUCTION OF RESIDENTIAL BUILDING (Shih + 5 Floors) @MUSIRI SUBRAMANIAM SALAI, CHENNAI - 600 004.

**DRAWING STAGE: INFORMATION COPY**

DRAWN BY :	PS
CHECKED BY :	AK
SCALE :	1:1000
DATE :	19.09.2024

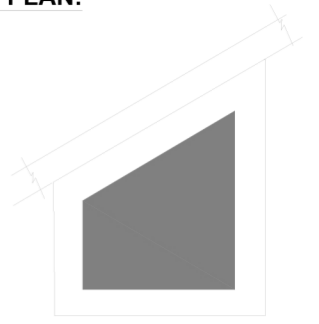
**DRAWING TITLE:**

SINGLE LINE DIAGRAM

Drawing number: TMA/292/1B/ELE & ELE/ELE-01

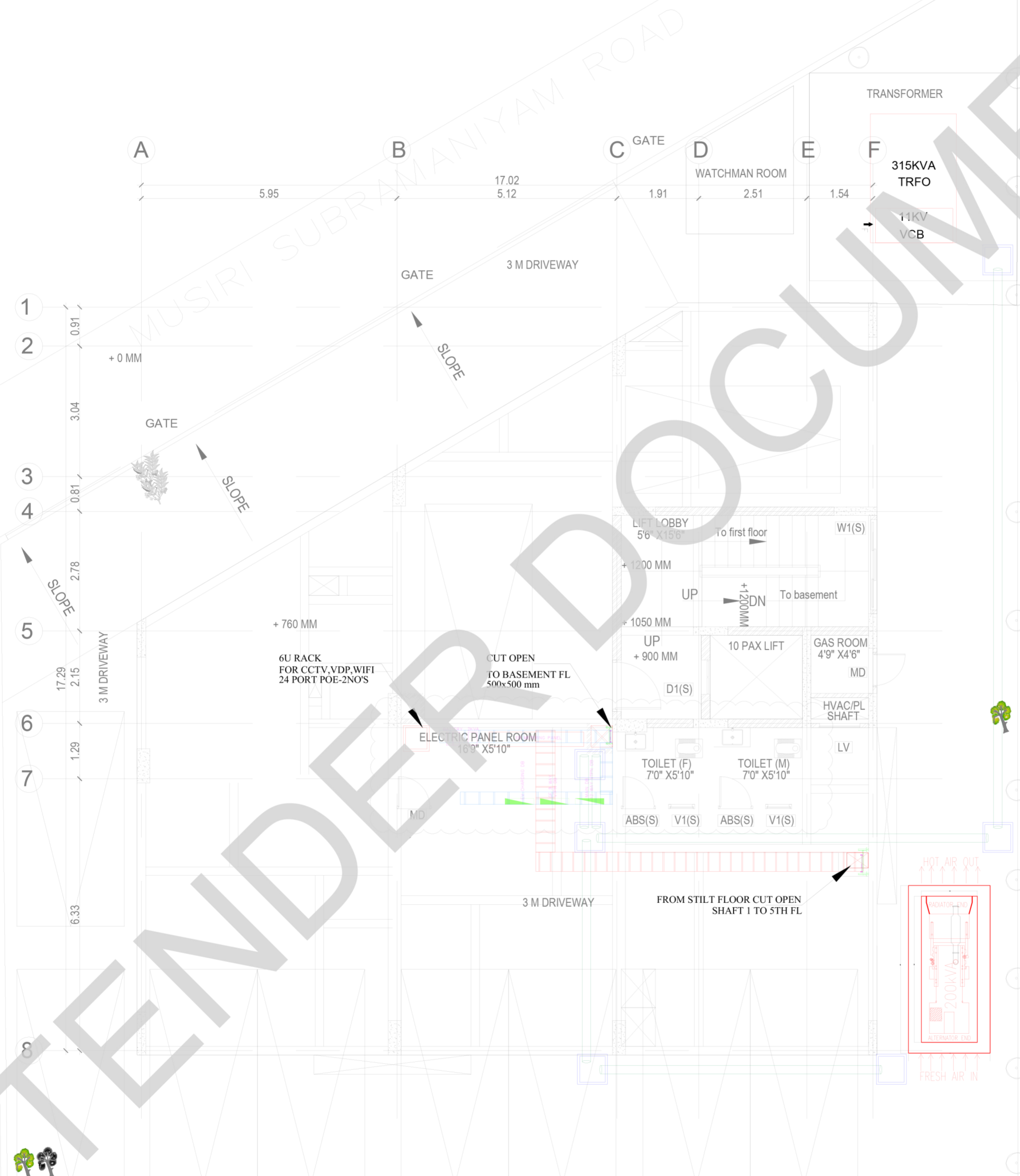
Project code number	Project name	Stage of Construction	Type of Drawing	Drawing number	Revision
TMA-292	IB	ERC	ELECTRICAL	ELE-01	R1

**KEY PLAN:**



**LEGENDS:**

SYMBOL	DESCRIPTION
	1X45W LED STREET LIGHT FITTING SINGLE ARM SMTR HEIGHT POLE
	LED FLOOD LIGHT
	ELECTRICAL-HUME PIPE-300MM
	ELECTRICAL-HDPE PIPE-110MM
	ELV-HDPE PIPE-110MM
	150mm (W) x 50mm (H) Ladder Type Cable Tray
	300mm (W) x 50mm (H) Ladder Type Cable Tray
	450mm (W) x 50mm (H) Ladder Type Cable Tray
	P1 ELECTRICAL MAN HOLE-1250X1250X1000MM



**ABBREVIATIONS:**

- ES - ELECTRICAL SHAFT
- PS - PLUMBING SHAFT
- AC - AIR CONDITIONING
- FS - FIRE SHAFT
- TS - TELEPHONE SHAFT

**REVISION**

NO.	DATE	DESCRIPTION

NOTE:  
 ALL DIMENSIONS ARE IN METERS.  
 ALL DIMENSIONS TO BE CHKD. AT SITE.  
 DO NOT SCALE THE DRAWING  
 IN THE EVENT OF ANY DISCREPANCIES OR DIFFERENCES BETWEEN ARCHITECT DRAWINGS, STRUCTURAL DRAWING AND SITE CONDITIONS, IMMEDIATE REFERENCE IS TO BE MADE TO THE ARCHITECT PRIOR TO THE EXECUTION OF WORK AT THE SITE.

**ARCHITECTS & EP CONSTRUCTION:**

Taamaesek Engineering Consortium  
 New no. 5, Old no. 2a, Bishop Wallers Avenue west, Mylapore, Chennai - 600 004. Ph:044-24671157/1139. Fax : 044-24672237. url:www.taamaesek.com e-mail: info@taamaesek.com

**CLIENT:**



Ms. INDIAN BANK  
 254-260, INDIAN BANK CORPORATE OFFICE, AVVAI SHANMUGAM SALAI, ROYAPETTAH, CHENNAI - 4.

**PROJECT:**

Tender ID: CO.EST.TNDR.MBS.001.2023-24  
 PROPOSED CONSTRUCTION OF RESIDENTIAL BUILDING (Stilt + 5 Floors) @MUSIRI SUBRAMANIAM SALAI, CHENNAI - 600 004.

**DRAWING STAGE: INFORMATION COPY**

DRAWN BY :	PS	 NORTH SHEET SIZE A2
CHECKED BY :	AK	
SCALE :	1:1000	
DATE :	19.09.2024	

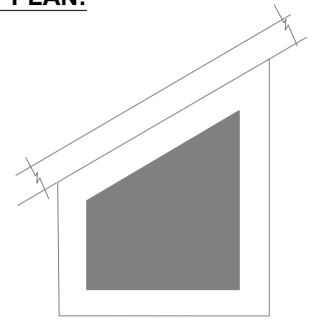
**DRAWING TITLE:**

INTERNAL EECR GROUND FLOOR PLAN

Drawing number: TMA/292/IB/ELE & ELE/ELE-03

Project code number	Project name	Stage of Construction	Type of Drawing	Drawing number	Revision
TMA-292	IB	IFC	ELECTRICAL	ELE-03	R1

**KEY PLAN:**



**SCHEDULE OF JOINERY:**

**SCHEDULE OF DOORS:**

**SCHEDULE OF WINDOWS:**

**LEGENDS:**

SYMBOL	DESCRIPTION
	6A SOCKET FOR GENERAL PURPOSE
	16A SWITCH WITH SOCKET FOR WASHING MACHINE
	SWITCH BOARD WITHOUT SOCKET
	6/16A SWITCH WITH SOCKET FOR SHAVER
	16A SOCKET FOR GEYSER
	6A SOCKET FOR EXHAUST FAN
	6A SWITCH WITH SOCKET FOR AQUA
	16A SOCKET FOR CHIMNEY
	16A SWITCH WITH SOCKET FOR HUB
	6A SWITCH SOCKET FOR GAS DETECTOR
	16A SWITCH WITH SOCKET FOR MIXER
	16A SWITCH WITH SOCKET FOR GRINDER
	6/16A SWITCH WITH SOCKET FOR MICRO OVEN
	16A SWITCH WITH SOCKET FOR HAND DRYER
	2 NOS 6A SWITCH SOCKET FOR GENERAL
	16A SOCKET FOR AC
	16A SOCKET FOR BATH TUB
	6/16A SWITCH WITH SOCKET FOR GENERAL
	2 NOS 6/16A SWITCH SOCKET FOR HOME THEATRE
	2 NOS 6A SWITCH 3 NOS 6A SOCKET FOR TV
	16A, 3PIN SOCKET (AIR CONDITIONER) AT NEAR INDOOR AC
	6/16A SWITCH SOCKET FOR REFRIGERATOR
	<b>ELECTRICAL ISOLATOR WITH WEATHER PROOF ENCLOSURE</b>

**REVISION**

NO.	DATE	DESCRIPTION

NOTE:  
ALL DIMENSIONS ARE IN METERS.  
ALL DIMENSIONS TO BE CHKD. AT SITE.  
DO NOT SCALE THE DRAWING  
IN THE EVENT OF ANY DISCREPANCIES OR DIFFERENCES BETWEEN ARCHITECT DRAWINGS, STRUCTURAL DRAWING AND SITE CONDITIONS, IMMEDIATE REFERENCE IS TO BE MADE TO THE ARCHITECT PRIOR TO THE EXECUTION OF WORK AT THE SITE.

**ARCHITECTS & EP CONSTRUCTION:**

**Taamaesek Engineering Consortium**  
New no. 5, Old no.2a, Bishop Wallers Avenue west, Mylapore, Chennai - 600 004. Ph:044-24671157/1139. Fax : 044-24672237. url:www.taamaesek.com e-mail: info@taamaesek.com

**CLIENT:**



M/s. INDIAN BANK  
254-260, INDIAN BANK CORPORATE OFFICE, AVVAI SHANMUGAM SALAI, ROYAPETTAH, CHENNAI - 4.

**PROJECT:**

Tender ID: CO.EST.TNDR.MBC.001.2023-24  
PROPOSED CONSTRUCTION OF RESIDENTIAL BUILDING (Stilt + 5 Floors) @MUSIRI SUBRAMANIAM SALAI, CHENNAI - 600 004.

**DRAWING STAGE: INFORMATION COPY**

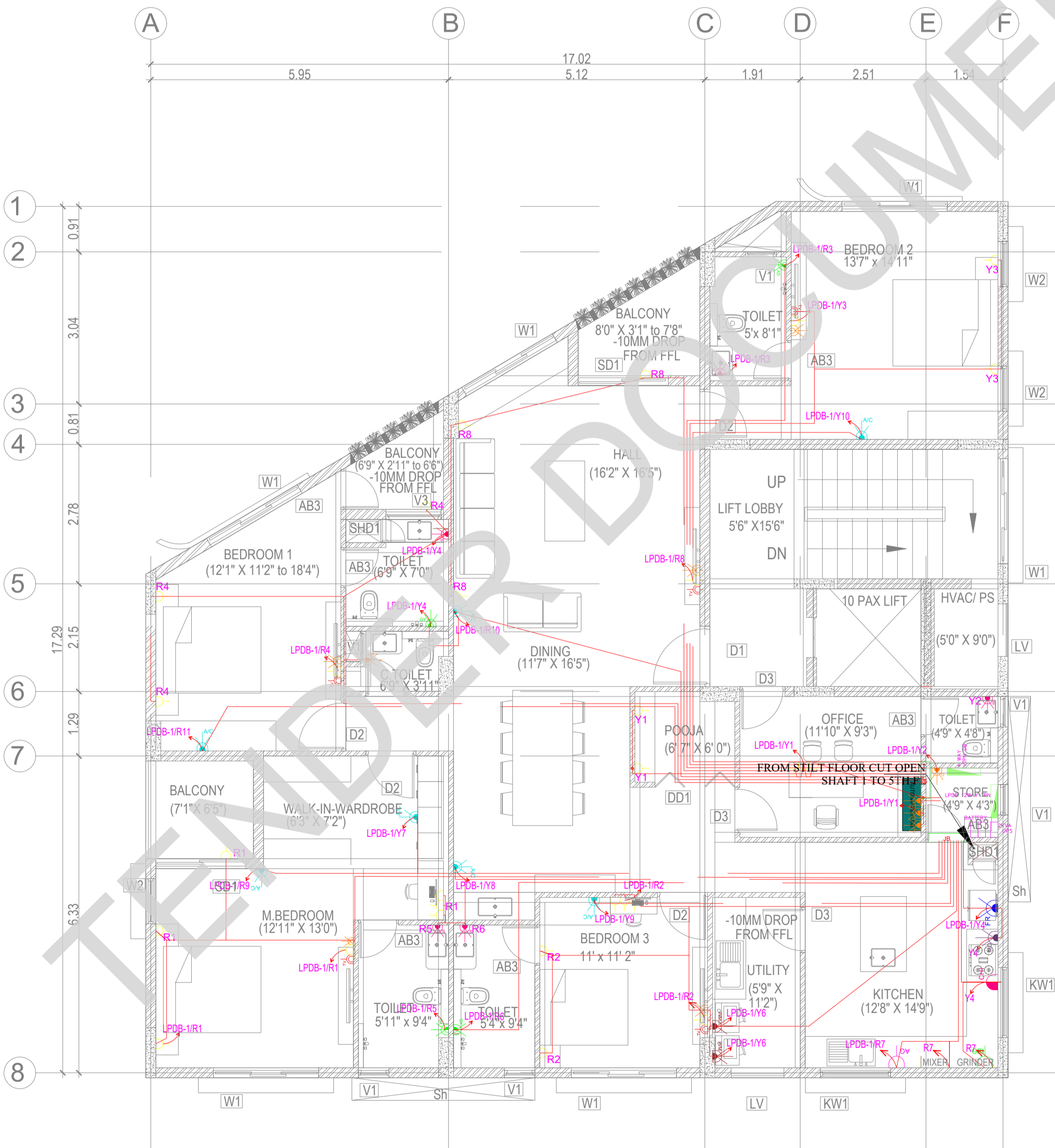
DRAWN BY :	PS	 NORTH SHEET SIZE A2
CHECKED BY :	AK	
SCALE :	1:1000	
DATE :	19.09.2024	

**DRAWING TITLE:**

TYPICAL FLOOR POWER LAYOUT

Drawing number: TMA/292/1B/ELE & EL/ELE-12

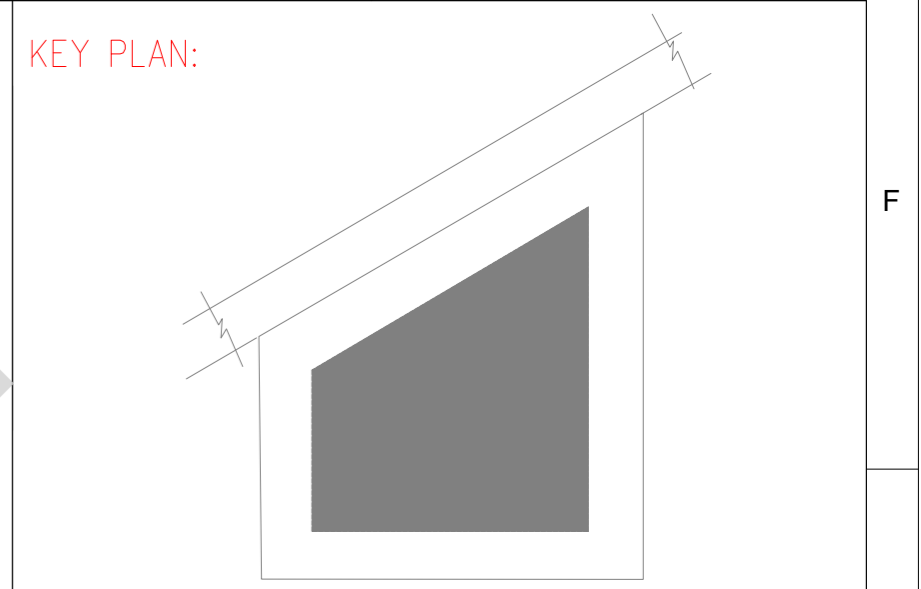
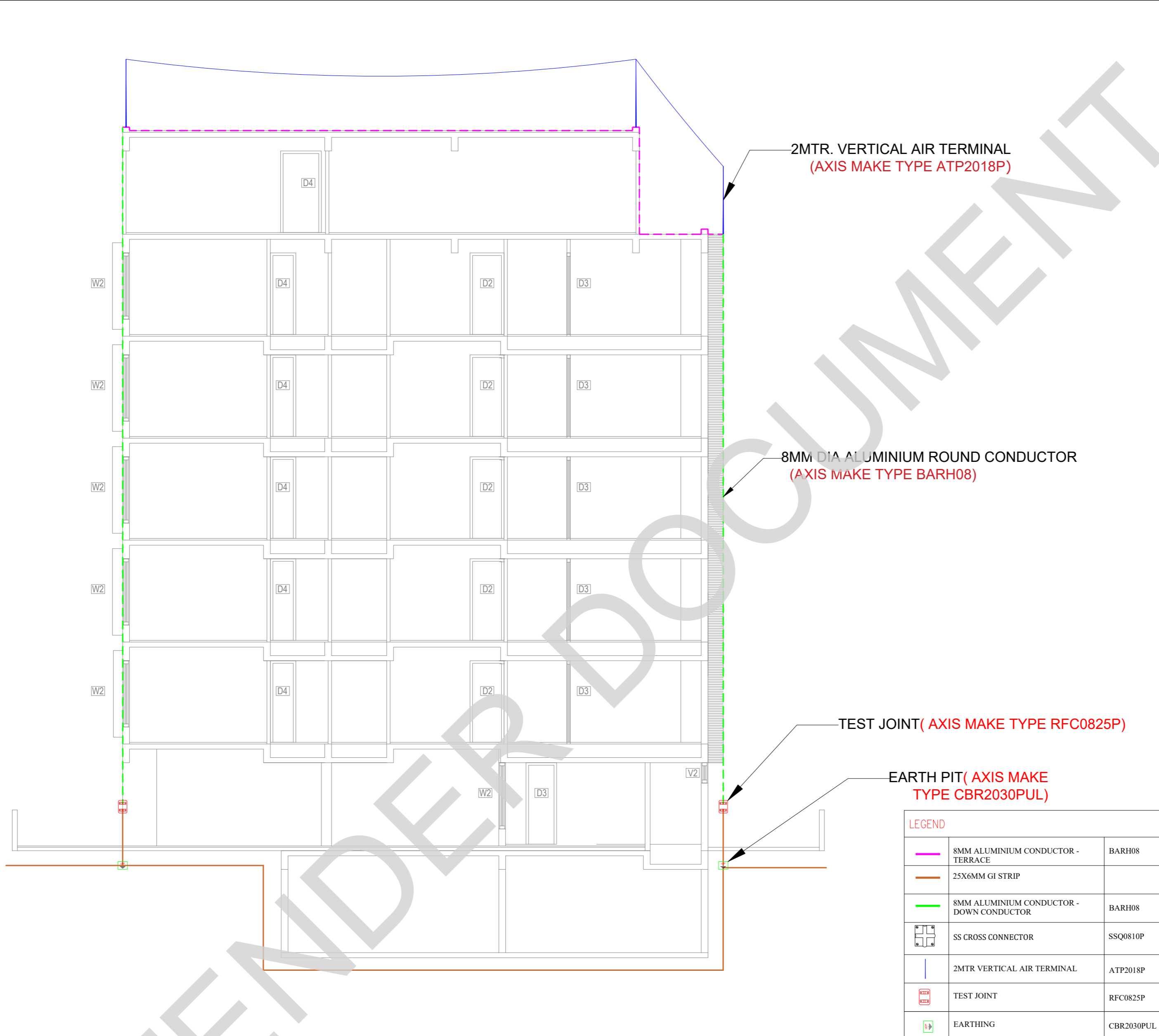
Project code	Project name	Stage of Construction	Type of Drawing	Drawing number	Revision
TMA-292	IB	IFC	ELECTRICAL	ELE-12	R1





**NOTES**

1. ANY ADDITION OR MODIFICATION OF EQUIPMENTS ON TERRACE THEN LIGHTNING PROTECTION SYSTEM NEEDS TO BE UPDATED ACCORDINGLY.
2. THE LEVEL OF PROTECTION IS ARRIVED BASED ON THE RISK ASSESSMENT (IS/IEC-62305-2) AND DESIGN IS MADE ACCORDINGLY.
3. IF THE DOWN CONDUCTOR CAN'T BE ROUTED IN EQUAL SPACING, 20% TOLERANCE IS ACCEPTED AS PER IS/IEC 62305-3.
4. THE PROPOSED EARTHING SYSTEM SHALL BE INSTALLED AT 0.5M DEPTH AND 1M AWAY FROM BUILDING PERIPHERY. ATLEAST 80% OF THE TOTAL EARTHING CONDUCTOR LENGTH SHOULD BE LAYED IN SOIL.
5. THE EARTH ELECTRODE LOCATIONS SHOWN ARE TENTATIVE, THE SAME CAN BE INSTALLED AS PER THE SITE CONDITIONS.
6. HIGH TENSILE CU BONDED STEEL ROD IS RECOMMENDED FOR EARTH ELECTRODES, THE SAME SHALL BE TESTED AS PER IEC 62561-2-2018.
7. MAINTENANCE FREE EARTH ENHANCEMENT COMPOUND IS RECOMMENDED FOR THE EARTHING SYSTEM, THE SAME SHALL BE TESTED AS PER IEC 62561-7-2018.
8. ALL THE COMPONENTS USED IN LIGHTNING PROTECTION SYSTEM SHALL BE TESTED AS PER IEC 62561 - 2018.



**NOTE:**  
 ALL DIMENSIONS ARE IN METERS.  
 ALL DIMENSIONS TO BE CHKD. AT SITE.  
 DO NOT SCALE THE DRAWING  
 IN THE EVENT OF ANY DISCREPANCIES OR DIFFERENCES BETWEEN ARCHITECT DRAWINGS, STRUCTURAL DRAWING AND SITE CONDITIONS, IMMEDIATE REFERENCE IS TO BE MADE TO THE ARCHITECT PRIOR TO THE EXECUTION OF WORK AT THE SITE.

**ARCHITECTS & EP CONSTRUCTION:**



Taamaesek Engineering Consortium  
 New no. 5, Old no.2a, Bishop Wallers  
 Avenue west, Mylapore,  
 Chennai - 600 004. Ph:044-24671157/1139.  
 Fax : 044-24672237.  
 url:www.taamaesek.com  
 e-mail: info@taamaesek.com

**CLIENT:**  
 Indian bank .

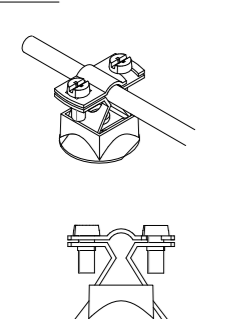
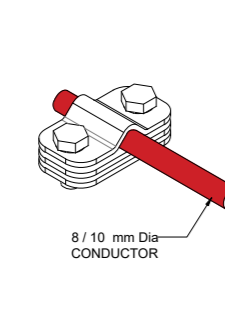
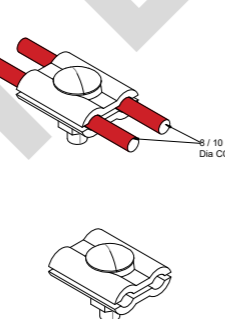
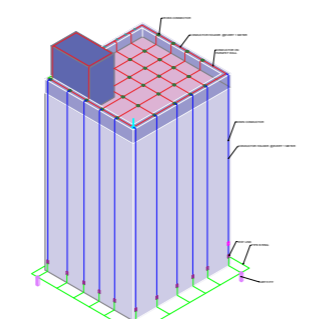
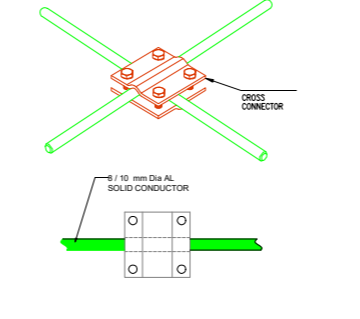
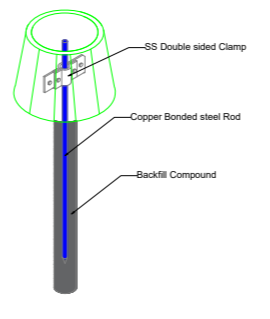
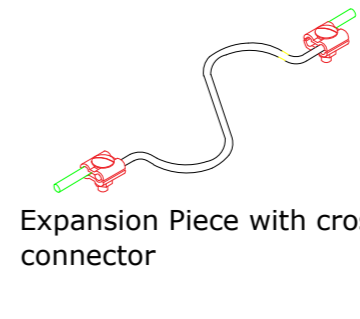
**LEGEND**

	8MM ALUMINIUM CONDUCTOR - TERRACE	BARH08
	25X6MM GI STRIP	
	8MM ALUMINIUM CONDUCTOR - DOWN CONDUCTOR	BARH08
	SS CROSS CONNECTOR	SSQ0810P
	2MTR VERTICAL AIR TERMINAL	ATP2018P
	TEST JOINT	RFC0825P
	EARTHING	CBR2030PUL

**PROJECT:**  
 Proposed Residential development for indian bank Musiri Subramaniam Salai

**DRAWING STAGE: INFORMATION COPY**

DRAWN BY :	PS	
CHECKED BY:	AK	
SCALE :	1:1000	SHEET SIZE A2
DATE :	19.09.2024	

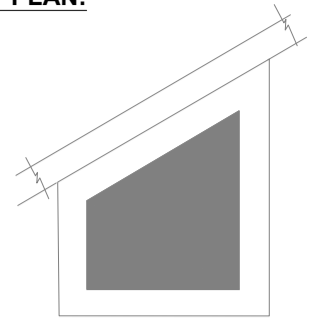
<p><b>CONDUCTOR HOLDER @EVERY 1MTR ON TERRACE</b></p>  <p>DCSR0810</p>	<p><b>Disconnecting Clamp For Conductor dia 8-10mm</b></p>  <p>RFC0825P</p>	<p><b>Parallel Connection clamp for round conductor dia 8-10mm</b></p>  <p>SPG0810</p>	<p><b>TYPICAL EXTERNAL LIGHTNING PROTECTION SYSTEM</b></p> 	<p><b>CROSS CONNECTOR</b></p>  <p>SSQ0810P</p>	<p><b>MAINTENANCE FREE EARTHING</b></p>  <p>CBR2030PUL</p>	<p><b>Expansion Piece with cross connector</b></p>  <p>EXP008</p>
---	--	---	--	---	---	--

**DRAWING TITLE:**  
 LIGHTNING PROTECTION SYSTEM-1

Drawing number: TMA/292/IB/ELE & ELE /EL-14

Project code number	Project name	Stage of Construction	Type of Drawing	Drawing number	Revision
TMA-292	IB	IFC	ELECTRICAL	ELE-14	R1

**KEY PLAN:**



**LEGENDS:**

SYMBOL	DESCRIPTION
	Bell indicator
	Bell push
	1200 & 900mm dia Ceiling fan
	Ceiling light
	Bulkhead light
	Mirror light at 1950mm lvl
	Suspended Bed Room Light
	Linear Light 40W
	18W Recessed Light
	18W Surface Light
	Wall Light
	Switch box for all points at 1350mm lvl

**ABBREVIATIONS:**

- ES - ELECTRICAL SHAFT
- PS - PLUMBING SHAFT
- AC - AIR CONDITIONING
- FS - FIRE SHAFT
- TS - TELEPHONE SHAFT

**REVISION**

NO.	DATE	DESCRIPTION

NOTE:  
 ALL DIMENSIONS ARE IN METERS.  
 ALL DIMENSIONS TO BE CHKD. AT SITE.  
 DO NOT SCALE THE DRAWING  
 IN THE EVENT OF ANY DISCREPANCIES OR DIFFERENCES BETWEEN ARCHITECT DRAWINGS, STRUCTURAL DRAWING AND SITE CONDITIONS, IMMEDIATE REFERENCE IS TO BE MADE TO THE ARCHITECT PRIOR TO THE EXECUTION OF WORK AT THE SITE.

**ARCHITECTS & EP CONSTRUCTION:**

Taamaesek Engineering Consortium  
 New no. 5, Old no.2a, Bishop Wallers Avenue west, Mylapore, Chennai - 600 004. Ph:044-24671157/1139. Fax : 044-24672237. url:www.taamaesek.com e-mail: info@taamaesek.com

**CLIENT:**



M/s. INDIAN BANK  
 254-260, INDIAN BANK CORPORATE OFFICE, AVVAI SHANMUGAM SALAI, ROYAPETTAH, CHENNAI - 4.

**PROJECT:**

Tender ID: CO.EST.TNDR-MBC-001-2023-24  
 PROPOSED CONSTRUCTION OF RESIDENTIAL BUILDING (Stilt + 5 Floors) @MUSIRI SUBRAMANIAM SALAI, CHENNAI - 600 004.

**DRAWING STAGE: INFORMATION COPY**

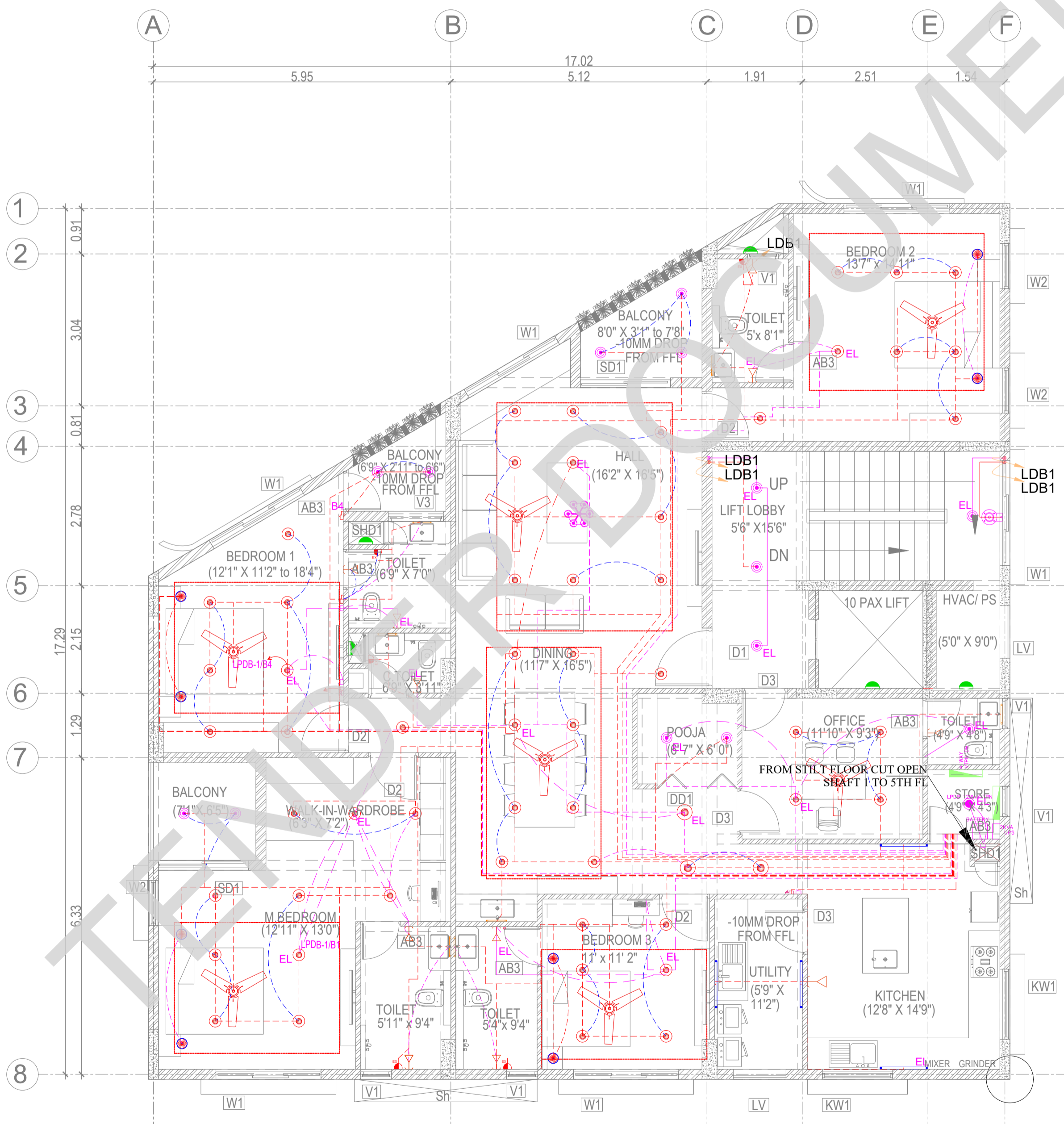
DRAWN BY :	PS	 NORTH SHEET SIZE A2
CHECKED BY :	AK	
SCALE :	1:1000	
DATE :	19.09.2024	

**DRAWING TITLE:**

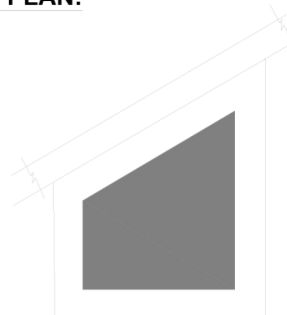
TYPICAL FLOOR LIGHTING LAYOUT

Drawing number: TMA/292/1B/ELE & ELV/EL-08

Project code number	Project name	Stage of Construction	Type of Drawing	Drawing number	Revision
TMA-292	IB	IFC	ELECTRICAL	EL-08	R1



**KEY PLAN:**



**SCHEDULE OF JOINERY:**

**SCHEDULE OF DOORS:**

**SCHEDULE OF WINDOWS:**

**LEGENDS:**

SYMBOL	DESCRIPTION
	6A SOCKET FOR GENERAL PURPOSE
	16A SOCKET WITH SOCKET FOR WASHING MACHINE
	SWITCH BOARD WITHOUT SOCKET
	8/16A SWITCH WITH SOCKET FOR SHAVER
	16A SOCKET FOR GEYSER
	8A SOCKET FOR EXHAUST FAN
	6A SWITCH WITH SOCKET FOR AQUA
	16A SOCKET FOR CHIMNEY
	16A SWITCH WITH SOCKET FOR HUB
	6A SOCKET FOR GAS DETECTOR
	16A SWITCH WITH SOCKET FOR MIXER
	16A SWITCH WITH SOCKET FOR GRINDER
	8/16A SWITCH WITH SOCKET FOR MICRO OVEN
	16A SWITCH WITH SOCKET FOR HAND DRYER
	2 NOS 6A SWITCH SOCKET FOR GENERAL
	16A SOCKET FOR AC
	16A SOCKET FOR BATH DUB
	8/16A SWITCH WITH SOCKET FOR GENERAL
	2 NOS 8/16A SWITCH SOCKET FOR HOME THEATRE
	2 NOS 6A SWITCH 3 NOS 6A SOCKET FOR TV
	16A, 3PIN SOCKET (AIR CONDITIONER) AT NEAR INDOOR AC
	8/16A SWITCH SOCKET FOR REFRIGERATOR
	<b>ELECTRICAL ISOLATOR WITH WEATHER PROOF ENCLOSURE</b>

**REVISION**

NO.	DATE	DESCRIPTION

**NOTE:**  
 ALL DIMENSIONS ARE IN METERS.  
 ALL DIMENSIONS TO BE CHKD. AT SITE.  
 DO NOT SCALE THE DRAWING  
 IN THE EVENT OF ANY DISCREPANCIES OR DIFFERENCES BETWEEN ARCHITECT DRAWINGS, STRUCTURAL DRAWING AND SITE CONDITIONS, IMMEDIATE REFERENCE IS TO BE MADE TO THE ARCHITECT PRIOR TO THE EXECUTION OF WORK AT THE SITE.

**ARCHITECTS & EP CONSTRUCTION:**

Taamaesek Engineering Consortium  
 New no. 5, Old no.2a, Bishop Wallers Avenue west, Mylapore, Chennai - 600 004. Ph:044-24671157/1139. Fax : 044-24672237. url:www.taamaesek.com e-mail: info@taamaesek.com

**CLIENT:**



Ms. INDIAN BANK  
 254-260, INDIAN BANK CORPORATE OFFICE, AVVAI SHANMUGAM SALAI, ROYAPETTAH, CHENNAI - 4.

**PROJECT:**

Tender ID: CO.EST.TNDR.MBS.001.2023-24  
 PROPOSED CONSTRUCTION OF RESIDENTIAL BUILDING (SRIH + 5 Floors) @MUSIRI SUBRAMANIAM SALAI, CHENNAI - 600 004.

**DRAWING STAGE: INFORMATION COPY**

DRAWN BY :	PS	 NORTH  SHEET SIZE A2
CHECKED BY :	AK	
SCALE :	1:1000	
DATE :	19.09.2024	

**DRAWING TITLE:**

GROUND FLOOR POWER LAYOUT

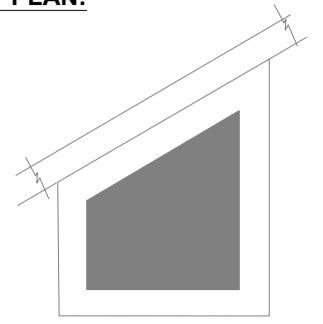
Drawing number: TMA/292/IB/ELE & ELV/ELE-11

Project code number	Project name	Stage of Construction	Type of Drawing	Drawing number	Revision
TMA-292	IB	IFC	ELECTRICAL	ELE-11	R1



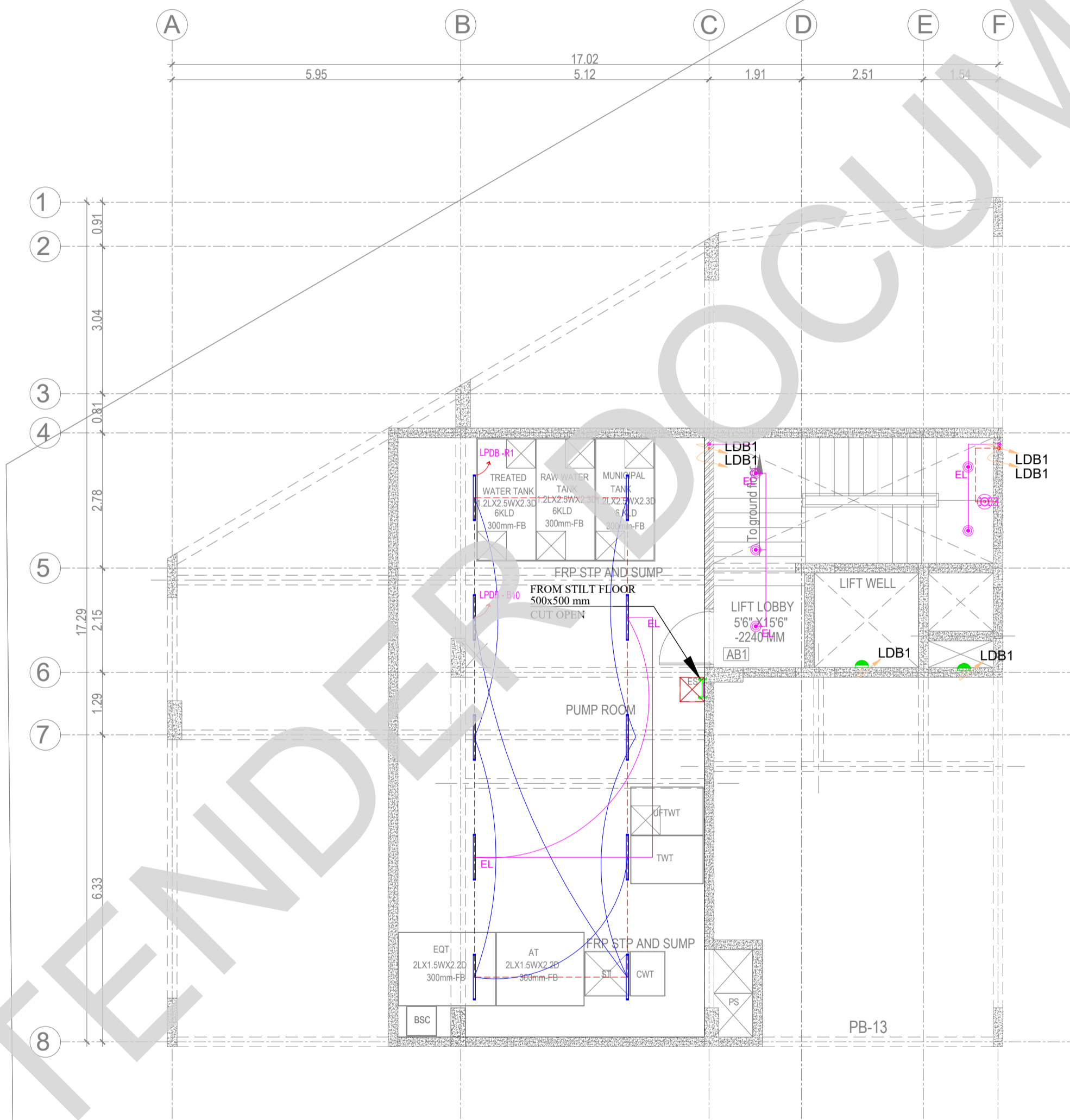
TENDER DOCUMENT

**KEY PLAN:**



**LEGENDS:**

SYMBOL	DESCRIPTION
	Bell indicator
	Bell push
	1200 & 900mm dia Ceiling fan
	Ceiling light
	Bulkhead light
	Mirror light at 1950mm lvl
	Suspended Bed Room Light
	Linear Light 40W
	18W Recessed Light
	18W Surface Light
	Wall Light
	Switch box for all points at 1350mm lvl



**ABBREVIATIONS:**

- ES - ELECTRICAL SHAFT
- PS - PLUMBING SHAFT
- AC - AIR CONDITIONING
- FS - FIRE SHAFT
- TS - TELEPHONE SHAFT

**REVISION**

NO.	DATE	DESCRIPTION

NOTE:  
 ALL DIMENSIONS ARE IN METERS.  
 ALL DIMENSIONS TO BE CHKD. AT SITE.  
 DO NOT SCALE THE DRAWING  
 IN THE EVENT OF ANY DISCREPANCIES OR DIFFERENCES BETWEEN ARCHITECT DRAWINGS, STRUCTURAL DRAWING AND SITE CONDITIONS, IMMEDIATE REFERENCE IS TO BE MADE TO THE ARCHITECT PRIOR TO THE EXECUTION OF WORK AT THE SITE.

**ARCHITECTS & EP CONSTRUCTION:**

Taamaesek Engineering Consortium  
 New no. 5, Old no.2a, Bishop Wallers Avenue west, Mylapore, Chennai - 600 004. Ph:044-24671157/1139. Fax : 044-24672237. url:www.taamaesek.com e-mail: info@taamaesek.com

**CLIENT:**



M/s. INDIAN BANK  
 254-260, INDIAN BANK CORPORATE OFFICE, AVVAI SHANMUGAM SALAI, ROYAPETTAH, CHENNAI - 4.

**PROJECT:**

Tender ID: CO.EST.TNDR-MBC-001-2023-24  
 PROPOSED CONSTRUCTION OF RESIDENTIAL BUILDING (Still + 5 Floors) @MUSIRI SUBRAMANIAM SALAI, CHENNAI - 600 004.

**DRAWING STAGE: INFORMATION COPY**

DRAWN BY :	PS	 NORTH SHEET SIZE A2
CHECKED BY :	AK	
SCALE :	1:1000	
DATE :	19.09.2024	

**DRAWING TITLE:**

BASEMENT FLOOR LIGHTING LAYOUT

Drawing number: TMA/292/IB/ELE & ELV/EL-06

Project code	Project name	Stage of Construction	Type of Drawing	Drawing number	Revision
TMA-292	IB	IFC	ELECTRICAL	EL-06	R1