

**COPYRIGHT:**  
 All rights reserved. This work is copyright and cannot be or copied in any form or by any means (graphic, electronic or reproduced mechanical, including photocopying) without the written permission of nanda & associates. Any licence, express or implied, to use the document for any purpose whatsoever is restricted to the terms of the agreement or implied agreement with nanda & associates.

**LEGEND:**

- 230MM, 115MM THK BRICK WORK
- R.C.C COLUMN

**NORTH POINT:**

**AREA STATEMENT**

**PLOT AREA - 3313.00 SQ.M**

S.NO.	DESCRIPTION	AREA IN (Sq.m)	AREA IN (Sq.ft)
1	GROUND FLOOR	541.00	5823.00
2	FIRST FLOOR	525.00	5651.00
3	SHR	57.00	613.50
<b>TOTAL</b>		<b>1123.00</b>	<b>12087.00</b>

**LEGENDS :-**

- SETBACK LINE
- SITE BOUNDARY
- BUILDING LINE
- DRIVE WAY

REV.	DESCRIPTION	DATE	BY	DRN.

**CLIENT:**  
 INDIAN BANK

**PROJECT:**  
 PROPOSED CONSTRUCTION OF INDIAN BANK'S RURAL SELF EMPLOYMENT TRAINING INSTITUTE AT THIRUVALLUR, TAMILNADU.

**DRAWING TITLE:**  
 WORKING DRAWING

SCHEMATIC DRAWING     WORKING DRAWING  
 TENDER DRAWING     AS BUILT DRAWING

SCALE : N.T.S	DATE : 16/02/2026	REV NO: 00
DRAWN BY : ABIRAMI	CHECKED BY : M.S	
JOB NO : 3070/25	DWG NO : ARC - TR - 01	

**ARCHITECT:**

**NANDA & ASSOCIATES ARCHITECTS**

NO.36, SARASWATHI ILLAM, JANAKIRAM COLONY MAIN RD. JANAKIRAM COLONY., ARUMBAKKAM., CHENNAI - 600 106. TELEPHONE:044-23637420, E-mail:nandaarchitects@gmail.com

**SITE PLAN**

NOTE: ALL DIMENSIONS ARE IN MM

**COPYRIGHT:**  
 All rights reserved, this work is copyright and cannot be or copied in any form or by any means (graphic, electronic or reproduced mechanical, including photocopying) without the written permission of nanda & associates. Any licence, express or implied, to use the document for any purpose whatsoever is restricted to the terms of the agreement or implied agreement with nanda & associates

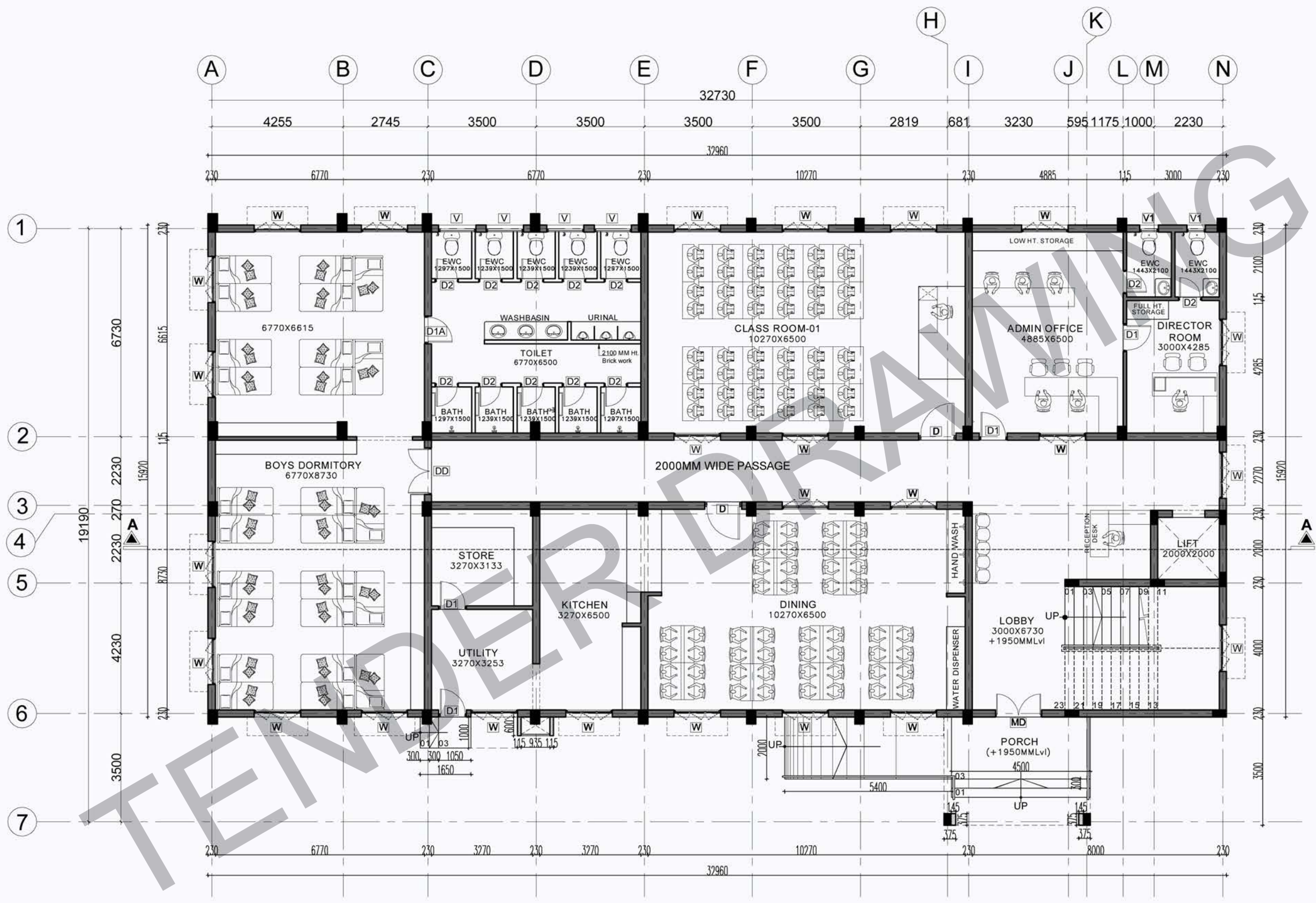
**LEGEND :**

- 230MM ,115MM THK BRICK WORK
- R.C.C COLUMN

**NORTH POINT :**

**SCHEDULE OF JOINERY**

S.NO.	SYMBOL	DESCRIPTION	SIZE
1	MD	MAIN DOOR	1500X2100
2	DD	FLUSH DOOR	1500X2100
3	D	FLUSH DOOR	1200X2100
4	D1	FLUSH DOOR	900X2100
5	D1A	FLUSH DOOR	900X2100
6	D2	FRP DOOR	750X2100
7	W	UPVC WINDOW	1500X1350
8	V	VENTILATOR	1200X600
9	V1	VENTILATOR	600X600



REV.	DESCRIPTION	DATE	BY	DRN.

**CLIENT:**  
**INDIAN BANK**

**PROJECT :**  
**PROPOSED CONSTRUCTION OF INDIAN BANK'S RURAL SELF EMPLOYMENT TRAINING INSTITUTE AT THIRUVALLUR, TAMILNADU.**

**DRAWING TITLE :**  
**WORKING DRAWING**

- SCHEMATIC DRAWING
- WORKING DRAWING
- TENDER DRAWING
- AS BUILT DRAWING

SCALE : N.T.S	DATE : 16/02/2026	REV NO: 00
DRAWN BY : ABIRAMI	CHECKED BY : M.S	
JOB NO : 3070/25	DWG NO : ARC - TR - 02	

- NOTES:-**
1. ROOF HEIGHT 3300 ROOF TOP TO TOP
  2. LINTEL HEIGHT 2100 .
  3. SILL HEIGHT 750 .
  4. WINDOW HEIGHT 1350 .

**GROUND FLOOR PLAN**

NOTE: ALL DIMENSIONS ARE IN MM

**ARCHITECT :**

**NANDA & ASSOCIATES ARCHITECTS**

NO.36, SARASWATHI ILLAM, JANAKIRAM COLONY MAIN RD. JANAKIRAM COLONY., ARUMBAKKAM., CHENNAI - 600 106. TELEPHONE:044-23637420, E-mail:nandaarchitects@gmail.com

**COPYRIGHT:**  
 All rights reserved, this work is copyright and cannot be or copied in any form or by any means (graphic, electronic or reproduced mechanical, including photocopying) without the written permission of nanda & associates. Any licence, express or implied, to use the document for any purpose whatsoever is restricted to the terms of the agreement or implied agreement with nanda & associates

**LEGEND :**

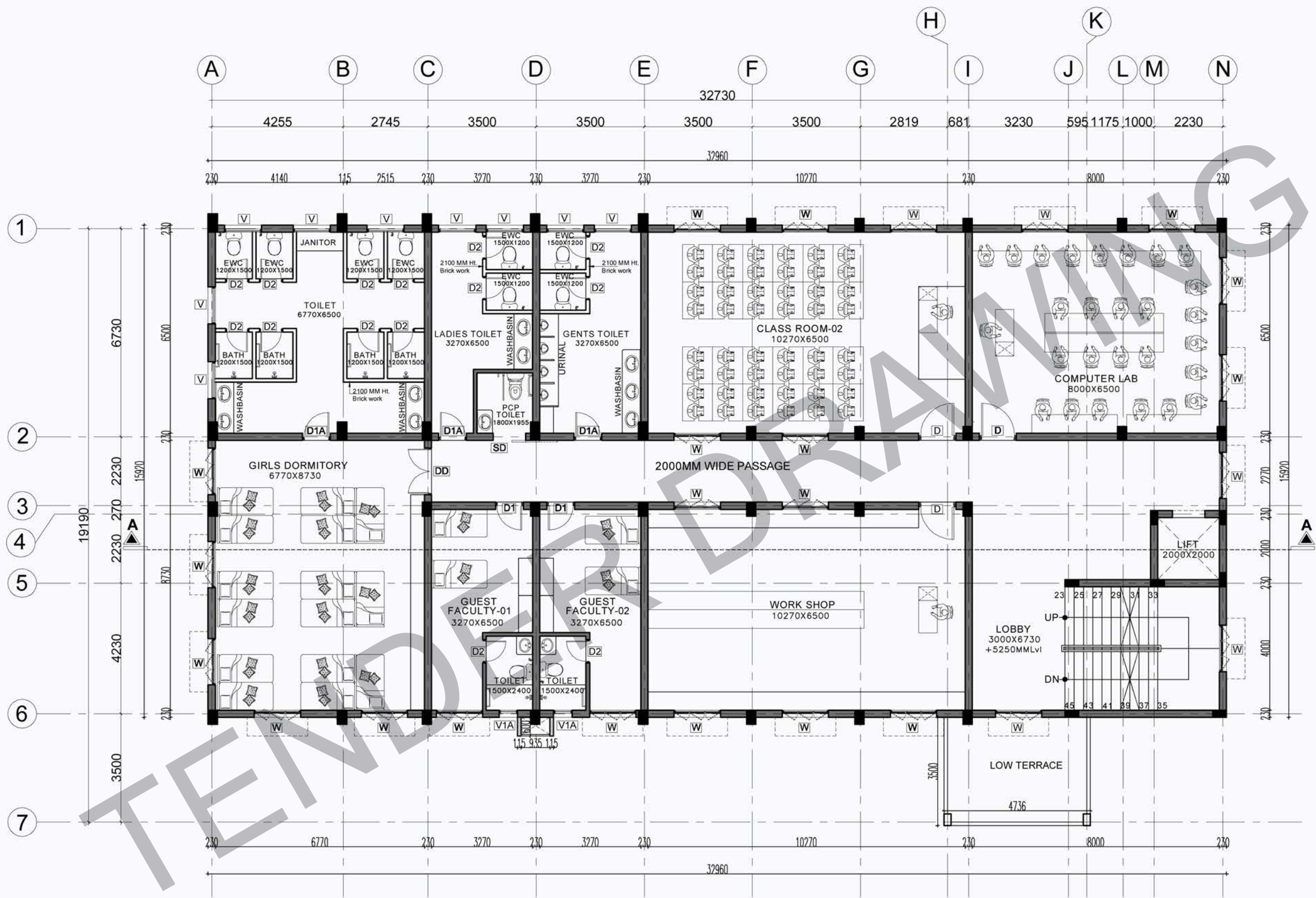
230MM ,115MM THK BRICK WORK

R.C.C COLUMN

**NORTH POINT :**

**SCHEDULE OF JOINERY**

S.NO.	SYMBOL	DESCRIPTION	SIZE
1	DD	FLUSH DOOR	1500X2100
2	D	FLUSH DOOR	1200X2100
3	D1	FLUSH DOOR	900X2100
4	D1A	FLUSH DOOR	900X2100
5	D2	FRP DOOR	750X2100
6	SD	SLIDING DOOR	1050X2100
7	W	UPVC WINDOW	1500X1350
8	V	VENTILATOR	1200X600
9	V1A	VENTILATOR	600X600



REV.	DESCRIPTION	DATE	BY	DRN.

CLIENT:  
**INDIAN BANK**

PROJECT:  
**PROPOSED CONSTRUCTION OF INDIAN BANK'S RURAL SELF EMPLOYMENT TRAINING INSTITUTE AT THIRUVALLUR, TAMILNADU.**

DRAWING TITLE:  
**WORKING DRAWING**

- SCHEMATIC DRAWING     WORKING DRAWING  
 TENDER DRAWING     AS BUILT DRAWING

SCALE : N.T.S	DATE : 16/02/2026	REV NO: 00
DRAWN BY : ABIRAMI	CHECKED BY : M.S	
JOB NO : 3070/25	DWG NO : ARC - TR - 03	

- NOTES:-**
1. ROOF HEIGHT 3300 ROOF TOP TO TOP
  2. LINTEL HEIGHT 2100 .
  3. SILL HEIGHT 750 .
  4. WINDOW HEIGHT 1350 .

**FIRST FLOOR PLAN**

NOTE: ALL DIMENSIONS ARE IN MM

ARCHITECT:

**NANDA & ASSOCIATES**  
 ARCHITECTS

NO.36, SARASWATHI ILLAM, JANAKIRAM COLONY MAIN RD.  
 JANAKIRAM COLONY., ARUMBAKKAM., CHENNAI - 600 106.  
 TELEPHONE:044-23637420, E-mail:nandaarchitects@gmail.com

**COPYRIGHT:**  
 All rights reserved. This work is copyright and cannot be or copied in any form or by any means (graphic, electronic or reproduced mechanical, including photocopying) without the written permission of nanda & associates. Any licence, express or implied, to use the document for any purpose whatsoever is restricted to the terms of the agreement or implied agreement with nanda & associates.

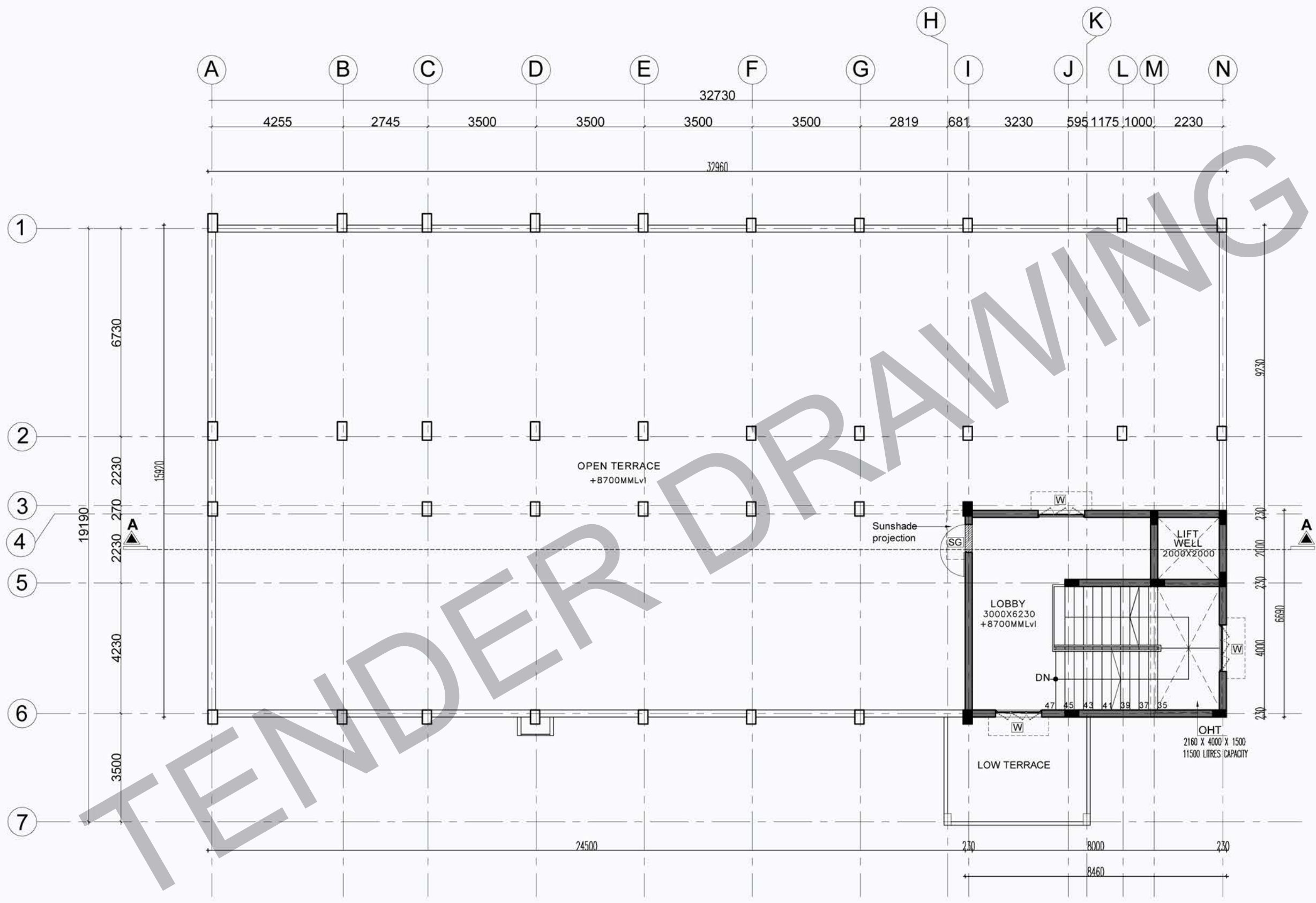
**LEGEND :**

230MM ,115MM THK BRICK WORK  
 R.C.C COLUMN

**NORTH POINT :**

**SCHEDULE OF JOINERY**

S.NO.	SYMBOL	DESCRIPTION	SIZE
1	SG	STEEL GATE	900X2100
2	W	WINDOW	1500X1350



REV.	DESCRIPTION	DATE	BY	DRN.

**CLIENT:**  
 INDIAN BANK

**PROJECT :**  
 PROPOSED CONSTRUCTION OF INDIAN BANK'S RURAL SELF EMPLOYMENT TRAINING INSTITUTE AT THIRUVALLUR, TAMILNADU.

**DRAWING TITLE :**  
 WORKING DRAWING

- SCHEMATIC DRAWING     WORKING DRAWING  
 TENDER DRAWING     AS BUILT DRAWING

SCALE : N.T.S	DATE : 16/02/2026	REV NO: 00
DRAWN BY : ABIRAMI	CHECKED BY : M.S	
JOB NO : 3070/25	DWG NO : ARC - TR - 04	

- NOTES:-**
1. ROOF HEIGHT 3300 ROOF TOP TO TOP
  2. LINTEL HEIGHT 2100 .
  3. SILL HEIGHT 750 .
  4. WINDOW HEIGHT 1350 .

**TERRACE FLOOR PLAN**

NOTE: ALL DIMENSIONS ARE IN MM

**ARCHITECT :**

**NANDA & ASSOCIATES**  
 ARCHITECTS

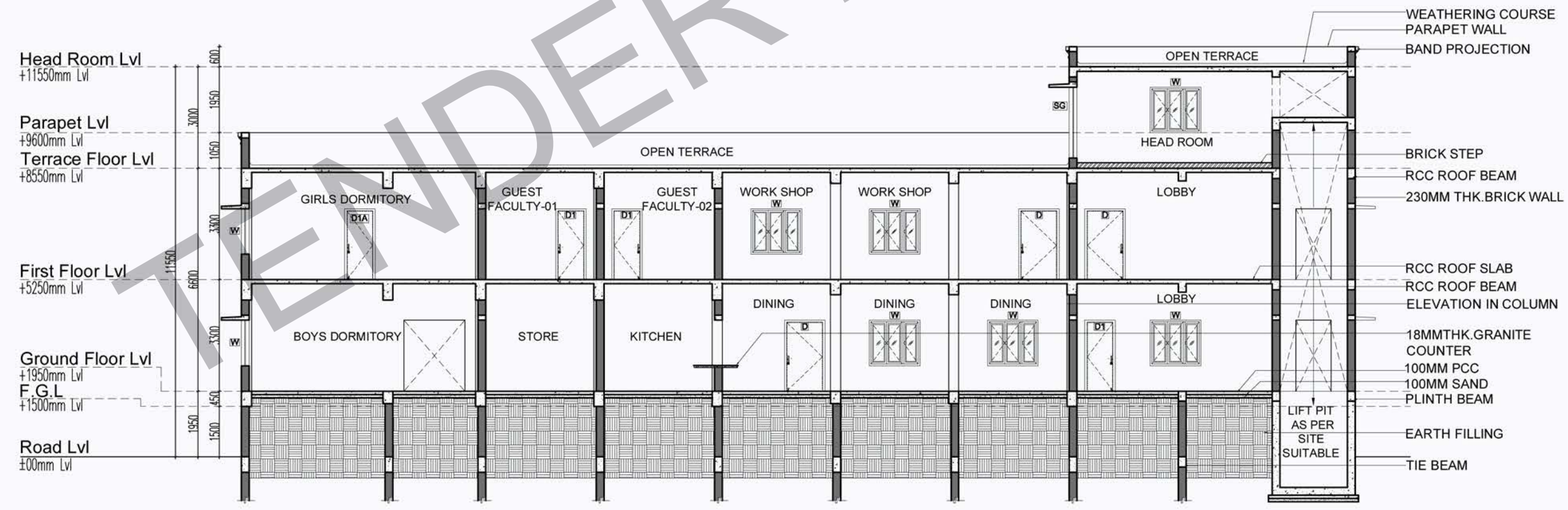
NO.36, SARASWATHI ILLAM, JANAKIRAM COLONY MAIN RD.  
 JANAKIRAM COLONY., ARUMBAKKAM., CHENNAI - 600 106.  
 TELEPHONE:044-23637420, E-mail:nandaarchitects@gmail.com

**COPYRIGHT:**  
 All rights reserved, this work is copyright and cannot be or copied in any form or by any means (graphic, electronic or reproduced mechanical, including photocopying) without the written permission of nanda & associates. Any licence, express or implied, to use the document for any purpose whatsoever is restricted to the terms of the agreement or implied agreement with nanda & associates.

<b>LEGEND :</b>	<b>NORTH POINT :</b>
230MM ,115MM THK BRICK WORK	
R.C.C COLUMN	



**FRONT ELEVATION**



**SECTION -AA**

REV.	DESCRIPTION	DATE	BY	DRN.

CLIENT:  
**INDIAN BANK**

PROJECT:  
**PROPOSED CONSTRUCTION OF INDIAN BANK'S RURAL SELF EMPLOYMENT TRAINING INSTITUTE AT THIRUVALLUR, TAMILNADU.**

DRAWING TITLE:  
**SECTION & ELEVATION**

- SCHEMATIC DRAWING
- WORKING DRAWING
- TENDER DRAWING
- AS BUILT DRAWING

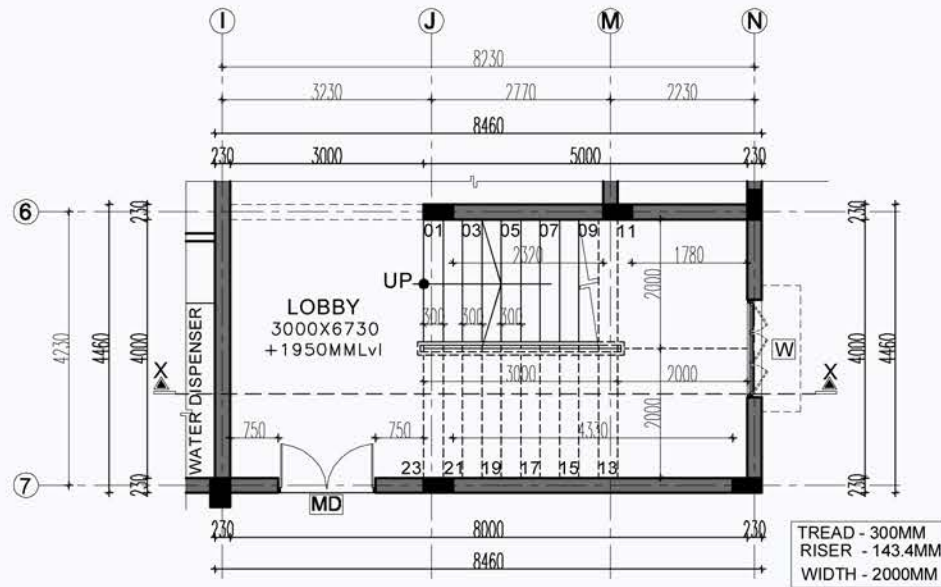
SCALE : N.T.S	DATE : 16/02/2026	REV NO: 00
DRAWN BY : ABIRAMI	CHECKED BY : M.S	
JOB NO : 3070/25	DWG NO : ARC - TR - 05	

ARCHITECT :

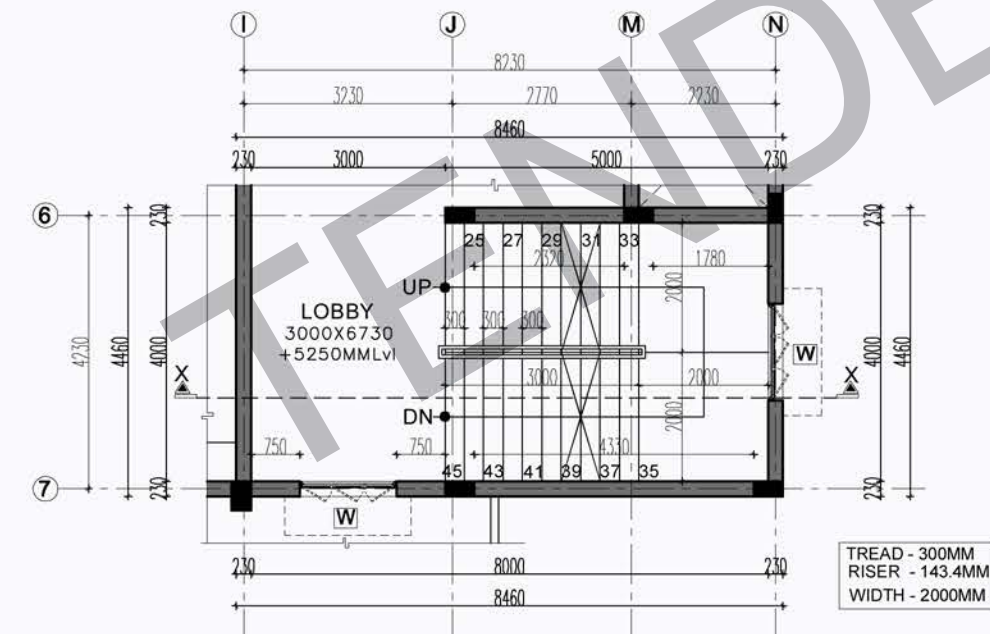
**NANDA & ASSOCIATES**  
 ARCHITECTS

NO.36, SARASWATHI ILLAM, JANAKIRAM COLONY MAIN RD.  
 JANAKIRAM COLONY., ARUMBAKKAM., CHENNAI - 600 106.  
 TELEPHONE:044-23637420,E-mail:nandaarchitects@gmail.com

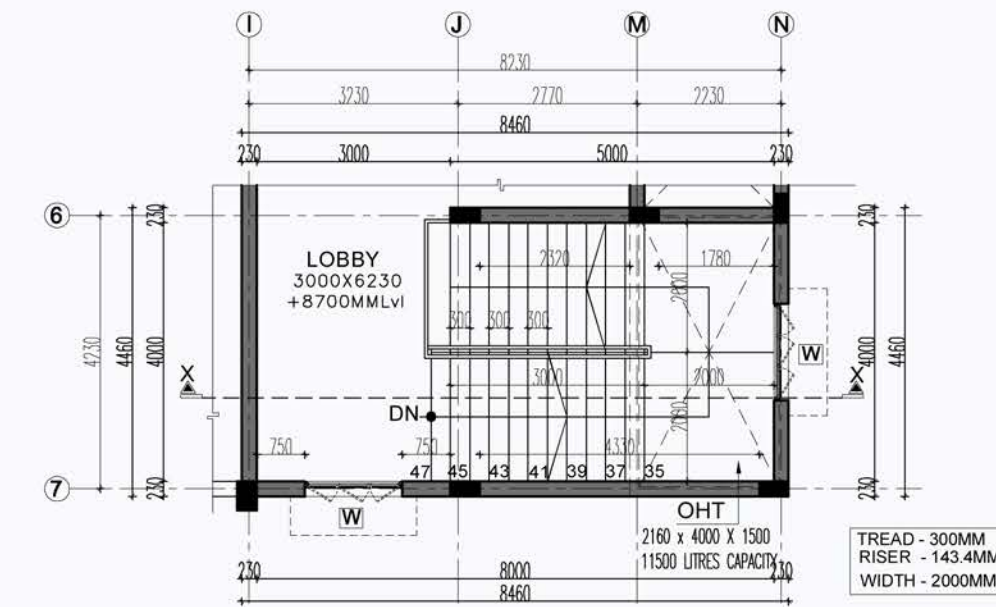
NOTE:ALL DIMENSIONS ARE IN MM



**GROUND FLOOR PLAN**



**FIRST FLOOR PLAN**



**TERRACE FLOOR PLAN**

OHT Lvl  
+14200mm Lvl

Head Room Lvl  
+11550mm Lvl

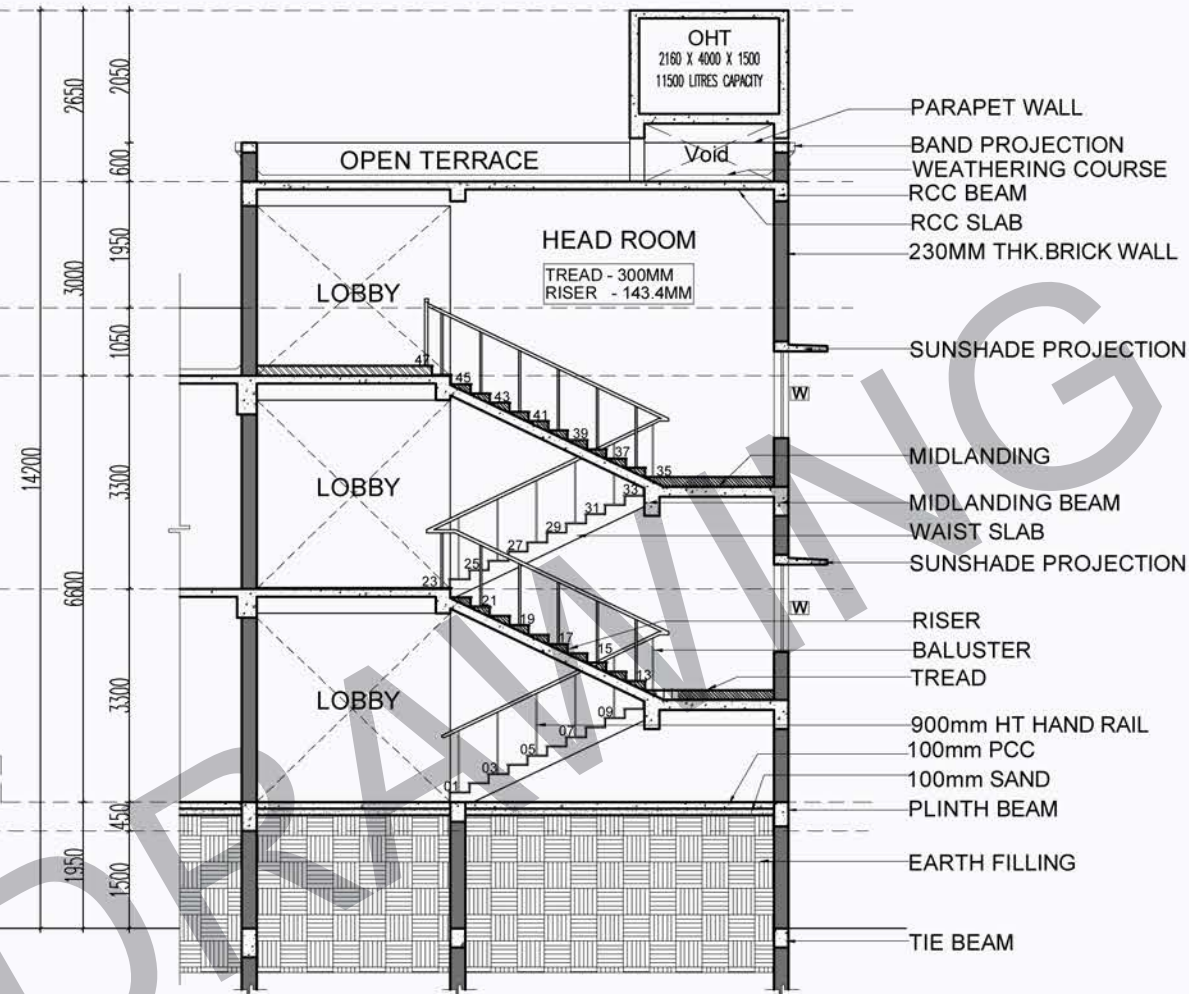
Parapet Lvl  
+9600mm Lvl

Terrace Floor Lvl  
+8550mm Lvl

First Floor Lvl  
+5250mm Lvl

Ground Floor Lvl  
+1950mm Lvl  
F.G.L  
+1500mm Lvl

Road Lvl  
±00mm Lvl



**SECTION - XX**

COPYRIGHT:  
All rights reserved, this work is copyright and cannot be or copied in any form or by any means (graphic, electronic or reproduced mechanical, including photocopying) without the written permission of nanda & associates. Any licence, express or implied, to use the document for any purpose whatsoever is restricted to the terms of the agreement or implied agreement with nanda & associates.

LEGEND :	NORTH POINT :
230MM ,115MM THK BRICK WORK	
R.C.C COLUMN	

REV.	DESCRIPTION	DATE	BY	DRN.

CLIENT:  
**INDIAN BANK**

PROJECT:  
**PROPOSED CONSTRUCTION OF INDIAN BANK'S RURAL SELF EMPLOYMENT TRAINING INSTITUTE AT THIRUVALLUR, TAMILNADU.**

DRAWING TITLE:  
**STAIRCASE DETAILS**

SCHEMATIC DRAWING     WORKING DRAWING  
 TENDER DRAWING     AS BUILT DRAWING

SCALE : N.T.S	DATE : 16/02/2026	REV NO: 00
DRAWN BY : ABIRAMI	CHECKED BY : M.S	
JOB NO : 3070/25	DWG NO : ARC - TR - 06	

ARCHITECT:  
**NANDA & ASSOCIATES ARCHITECTS**  
NO.36, SARASWATHI ILLAM, JANAKIRAM COLONY MAIN RD. JANAKIRAM COLONY., ARUMBAKKAM., CHENNAI - 600 106. TELEPHONE:044-23637420, E-mail:nandaarchitects@gmail.com

NOTE: ALL DIMENSIONS ARE IN MM

COPYRIGHT:  
All rights reserved, this work is copyright and cannot be or copied in any form or by any means (graphic, electronic or reproduced mechanical, including photocopying) without the written permission of nanda & associates. Any licence, express or implied, to use the document for any purpose whatsoever is restricted to the terms of the agreement or implied agreement with nanda & associates

LEGEND :

- 230MM ,115MM THK BRICK WORK
- R.C.C COLUMN

NORTH POINT :

FLOOR FINISHES:-

- 300x300mm ANTI SKID FLOOR TILES  
01.TOILETS
- 300x450mm CERAMIC WALL TILES  
01.TOILETS

SCHEDULE OF JOINERY

S.NO.	SYMBOL	DESCRIPTION	SIZE
1	D1A	FLUSH DOOR	900X2100
2	D2	FRP DOOR	750X2100
3	V	VENTILATOR	1200X600

REV.	DESCRIPTION	DATE	BY	DRN.

CLIENT:  
**INDIAN BANK**

PROJECT:  
**PROPOSED CONSTRUCTION OF INDIAN BANK'S RURAL SELF EMPLOYMENT TRAINING INSTITUTE AT THIRUVALLUR, TAMILNADU.**

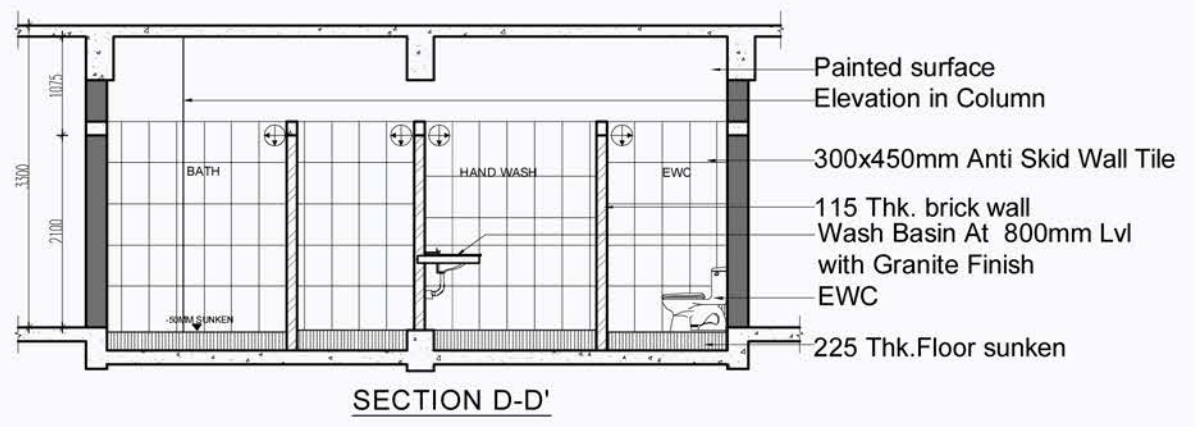
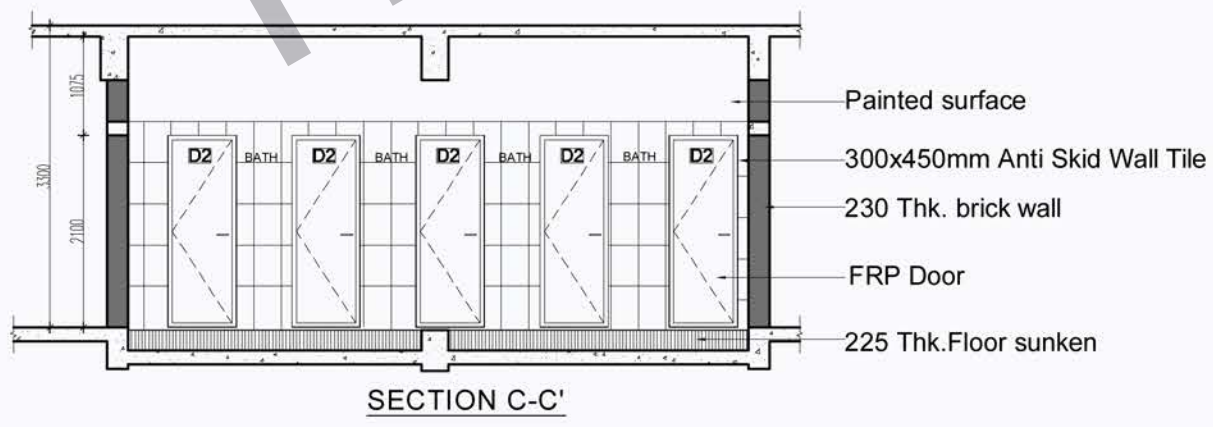
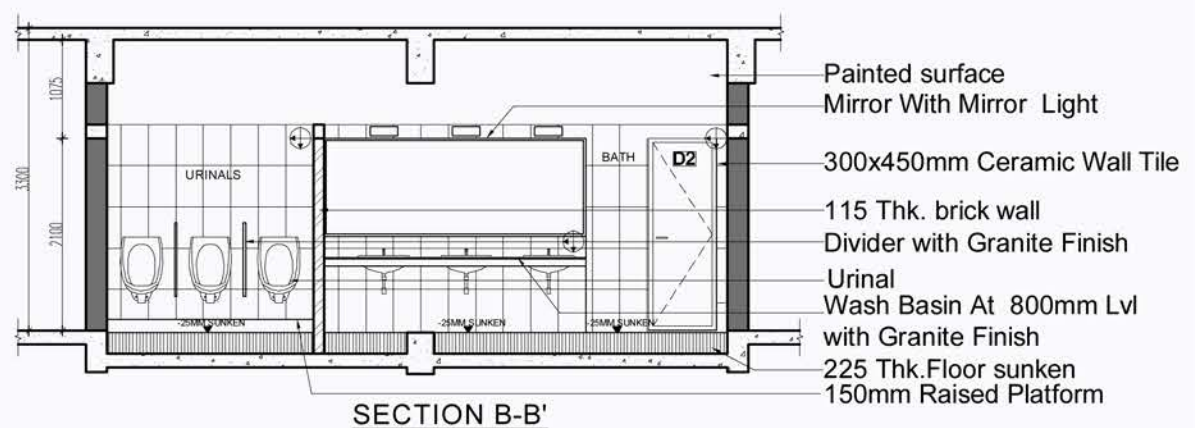
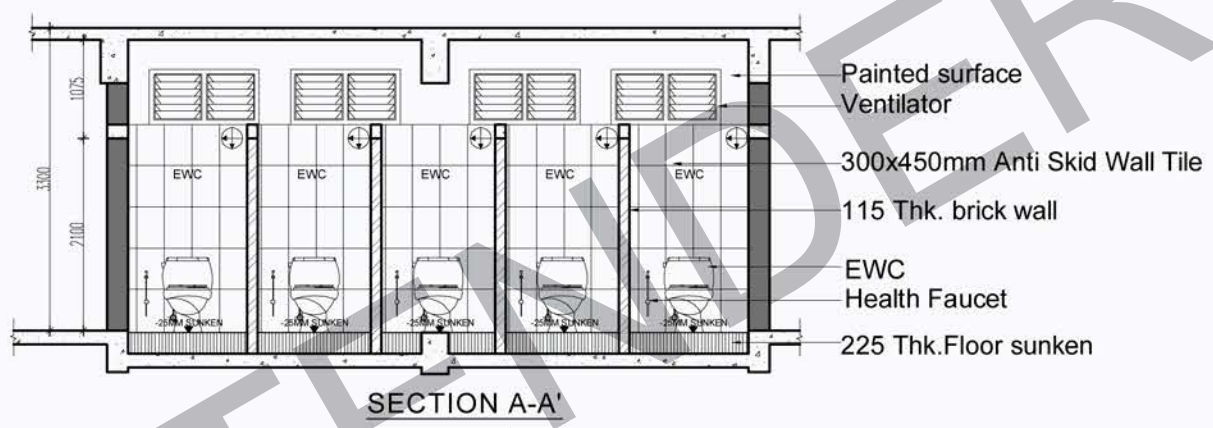
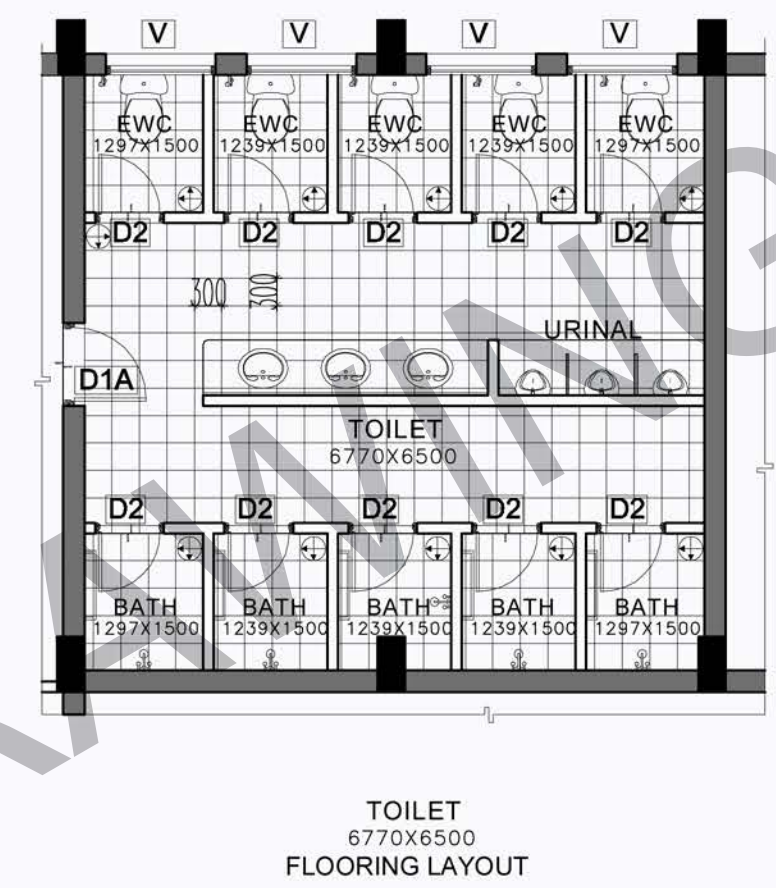
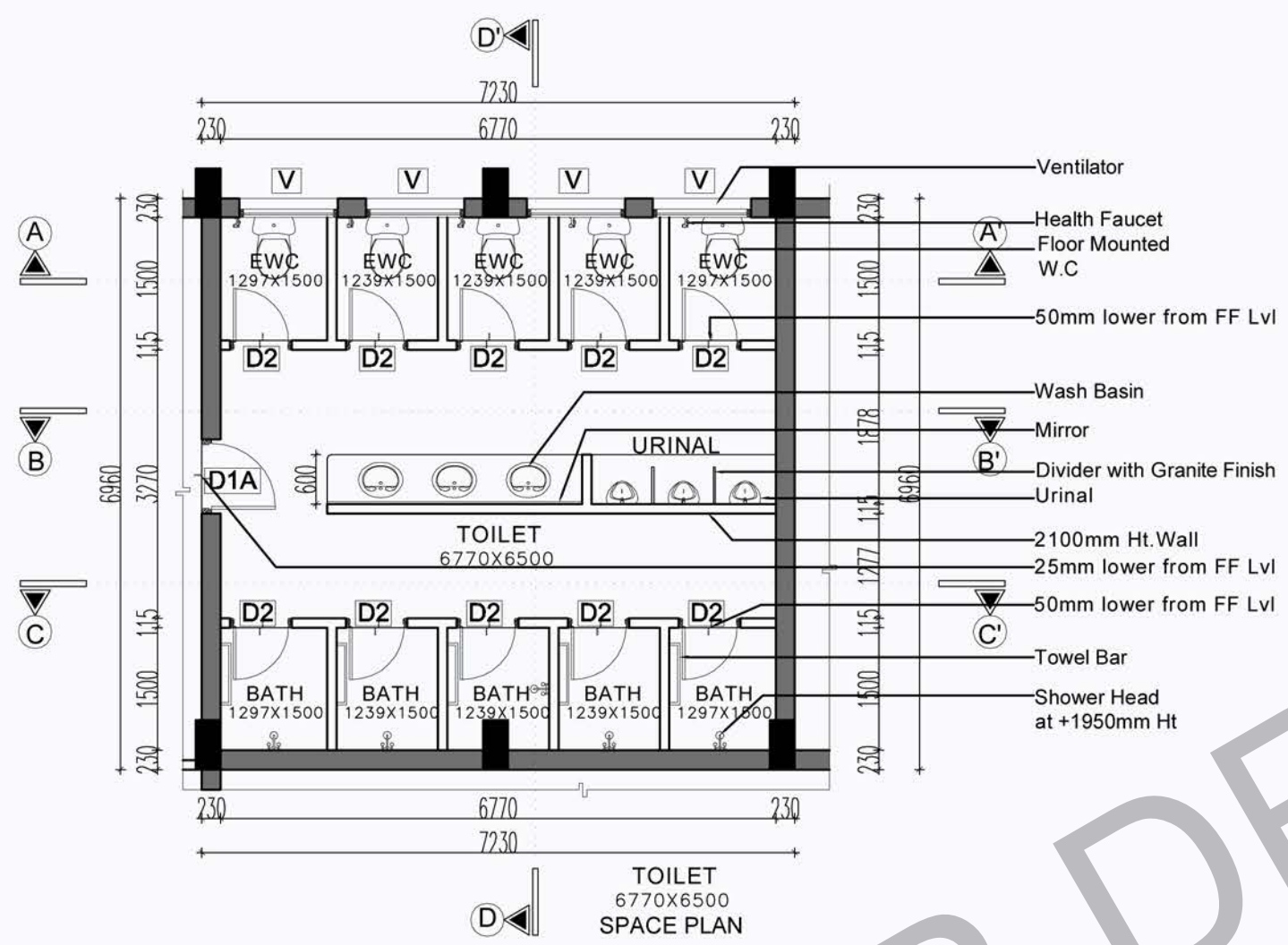
DRAWING TITLE:  
**TOILET DETAILS**

SCHEMATIC DRAWING     WORKING DRAWING  
 TENDER DRAWING     AS BUILT DRAWING

SCALE : N.T.S	DATE : 16/02/2026	REV NO: 00
DRAWN BY : ABIRAMI	CHECKED BY : M.S	
JOB NO : 3070/25	DWG NO : ARC - TR - 07	

ARCHITECT:  
**NANDA & ASSOCIATES ARCHITECTS**

NO.36, SARASWATHI ILLAM, JANAKIRAM COLONY MAIN RD. JANAKIRAM COLONY., ARUMBAKKAM., CHENNAI - 600 106. TELEPHONE:044-23637420,E-mail:nandaarchitects@gmail.com

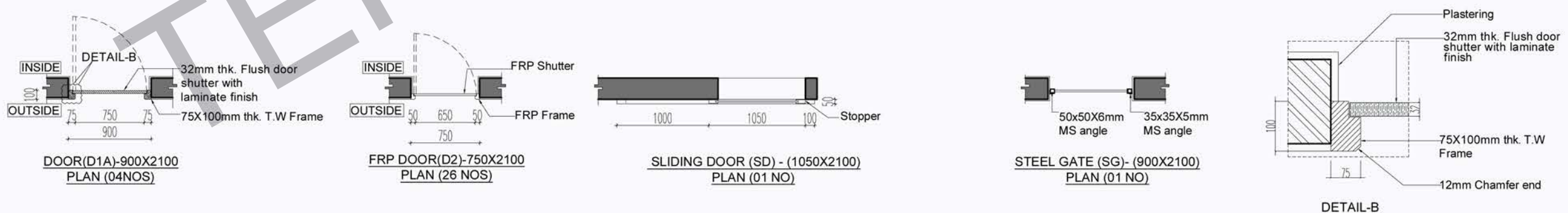
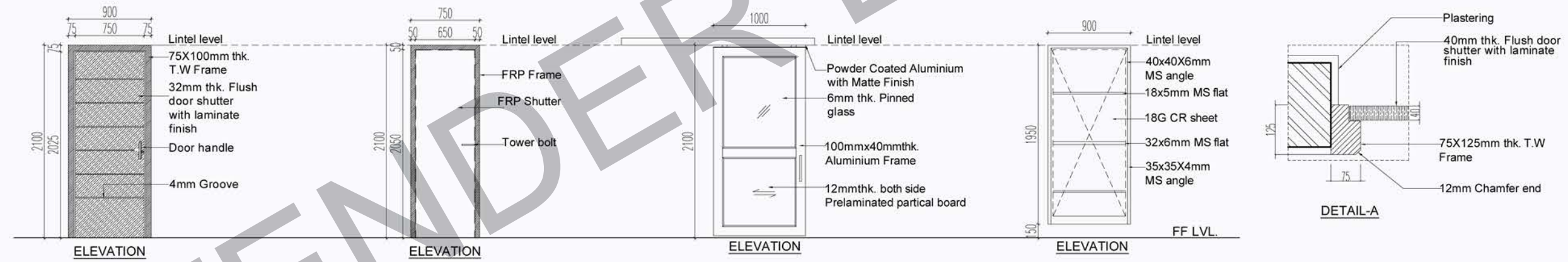
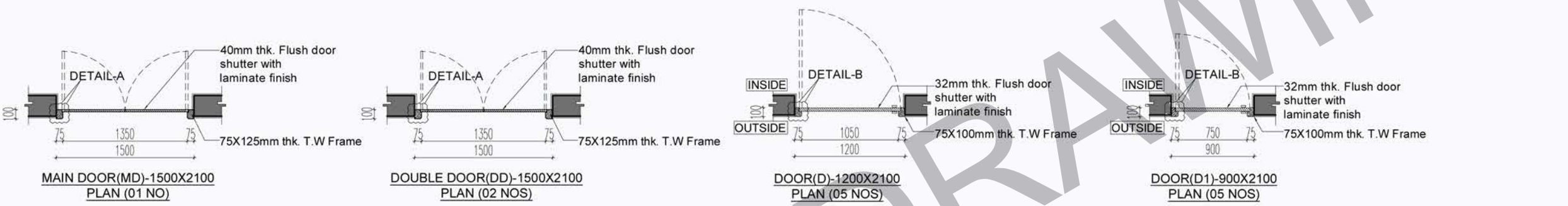
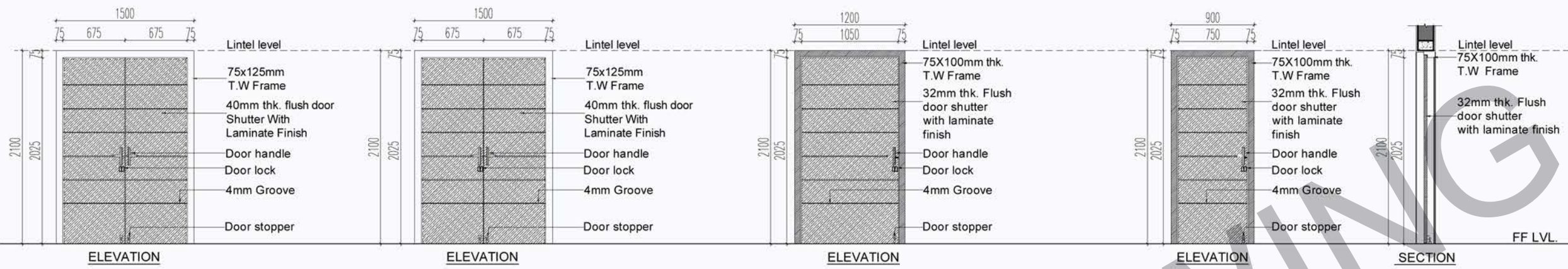


NOTE: ALL DIMENSIONS ARE IN MM

**COPYRIGHT:**  
 All rights reserved, this work is copyright and cannot be or copied in any form or by any means (graphic, electronic or reproduced mechanical, including photocopying) without the written permission of nanda & associates. Any licence, express or implied, to use the document for any purpose whatsoever is restricted to the terms of the agreement or implied agreement with nanda & associates.

**SCHEDULE OF JOINERY**

S.NO.	TYPE	DESCRIPTION	SIZE
1	MD	MAIN DOOR	1500X2100
2	DD	DOUBLE DOOR	1500X2100
3	D	FLUSH DOOR	1200X2100
4	D1	FLUSH DOOR	900X2100
5	D1A	FLUSH DOOR	900X2100
6	D2	FRP DOOR	750X2100
7	SD	SLIDING DOOR	1050X2100
8	SG	STEEL GATE	900X2100



REV.	DESCRIPTION	DATE	BY	DRN.

CLIENT:  
**INDIAN BANK**

PROJECT:  
**PROPOSED CONSTRUCTION OF INDIAN BANK'S RURAL SELF EMPLOYMENT TRAINING INSTITUTE AT THIRUVALLUR, TAMILNADU.**

DRAWING TITLE:  
**JOINERY DETAIL (DOORS)**

- SCHEMATIC DRAWING
- WORKING DRAWING
- TENDER DRAWING
- AS BUILT DRAWING

SCALE : N.T.S	DATE : 16/02/2026	REV NO: 00
DRAWN BY : ABIRAMI	CHECKED BY : M.S	
JOB NO : 3070/25	DWG NO : ARC - TR - 08	

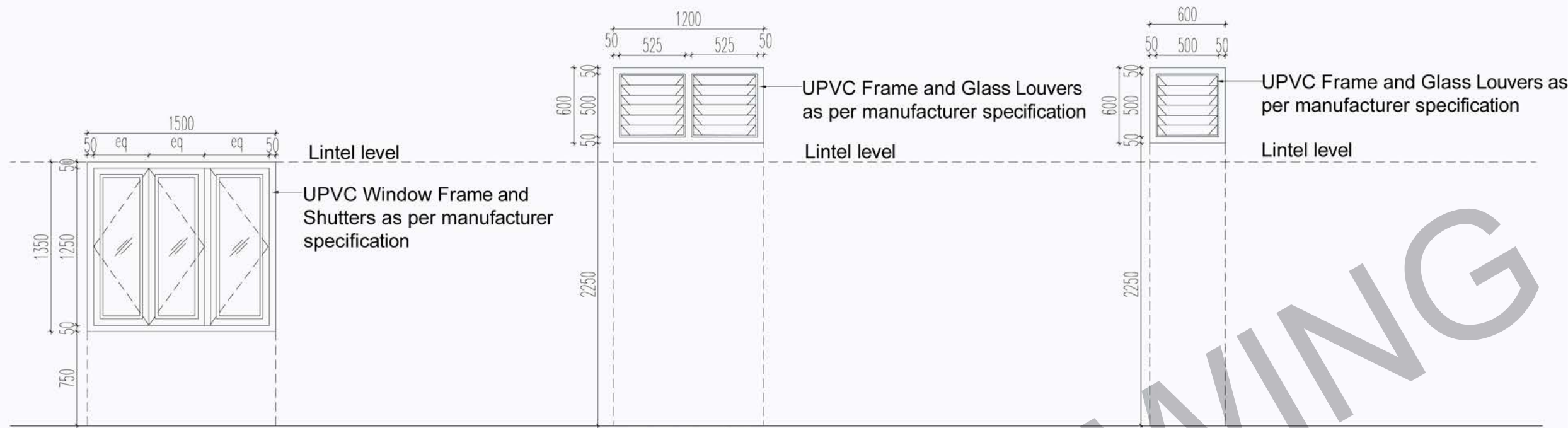
ARCHITECT:

**NANDA & ASSOCIATES**  
 ARCHITECTS

NO.36, SARASWATHI ILLAM, JANAKIRAM COLONY MAIN RD.  
 JANAKIRAM COLONY., ARUMBAKKAM., CHENNAI - 600 106.  
 TELEPHONE:044-23637420, E-mail:nandaarchitects@gmail.com

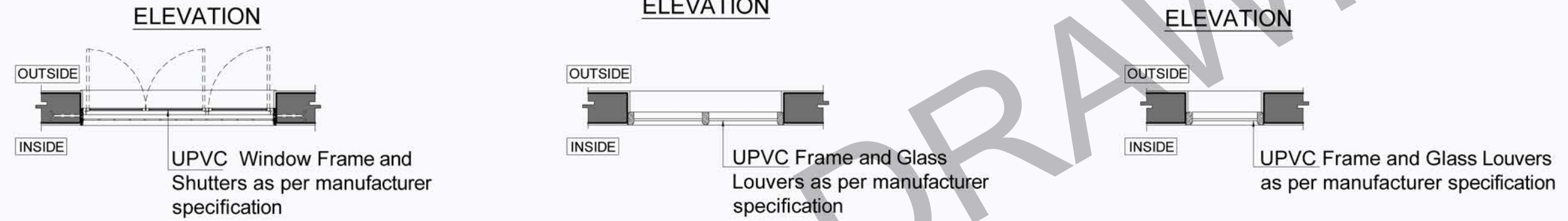
NOTE: ALL DIMENSIONS ARE IN MM

COPYRIGHT:  
 All rights reserved, this work is copyright and cannot be or copied in any form or by any means (graphic, electronic or reproduced mechanical, including photocopying) without the written permission of nanda & associates. Any licence, express or implied, to use the document for any purpose whatsoever is restricted to the terms of the agreement or implied agreement with nanda & associates.



SCHEDULE OF JOINERY

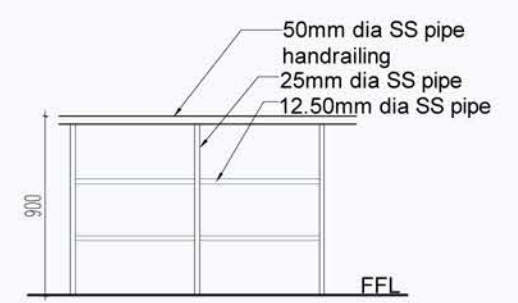
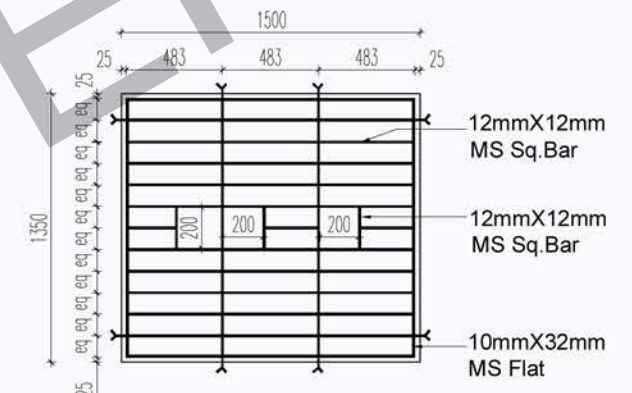
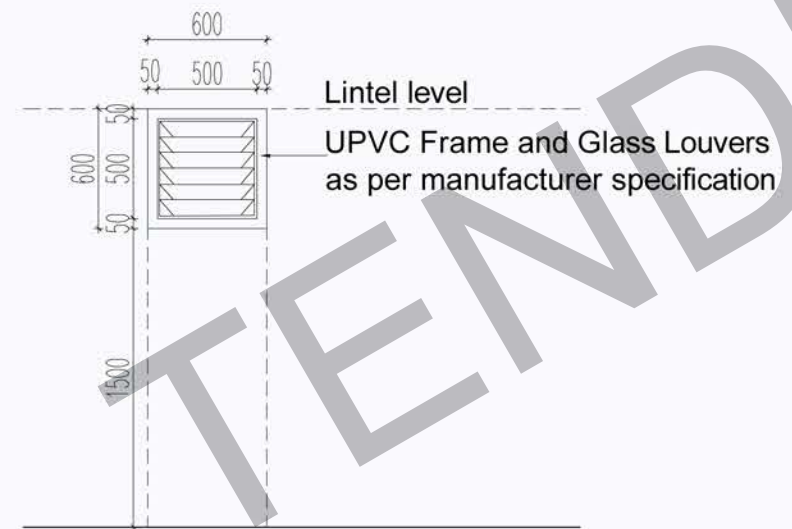
S.NO.	TYPE	DESCRIPTION	SIZE
1	W	UPVC WINDOW	1500X1350
2	V	UPVC VENTILATOR	1200X600
3	V1	UPVC VENTILATOR	900X600
4	V1A	UPVC VENTILATOR	900X600



UPVC WINDOW (W) - (1500X1350)  
 PLAN (52 NOS)

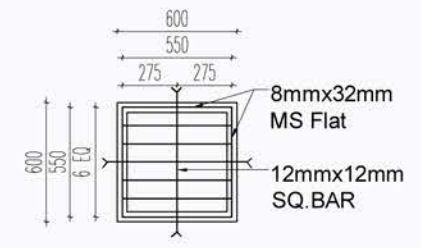
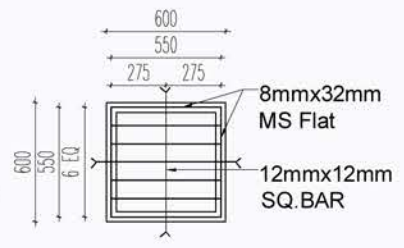
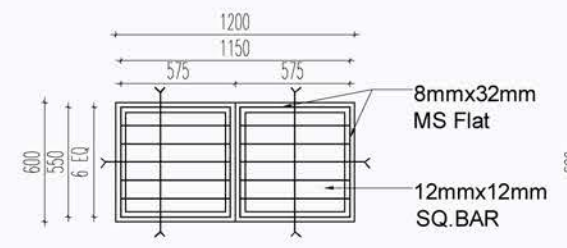
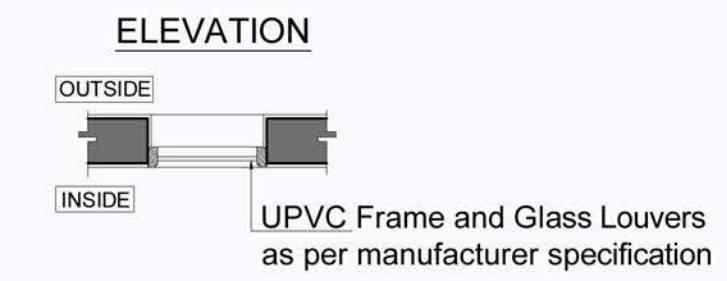
UPVC VENTILATOR (V) - (1200X600)  
 PLAN (13 NOS)

UPVC VENTILATOR (V1) - (600X600)  
 PLAN (02 NOS)



UPVC WINDOW - W  
 (1500X1350)

TYPICAL HANRAILING DETAIL  
 FOR RAMP, ENT. SEPS, STAIRCASE.



UPVC VENTILATOR (V1A) - (600X600)  
 PLAN (02 NOS)

UPVC VENTILATOR - V  
 (1200X600)

UPVC VENTILATOR - V  
 (600X600)

UPVC VENTILATOR - V1  
 (600X600)

REV.	DESCRIPTION	DATE	BY	DRN.

CLIENT:  
**INDIAN BANK**

PROJECT:  
**PROPOSED CONSTRUCTION OF INDIAN BANK'S RURAL SELF EMPLOYMENT TRAINING INSTITUTE AT THIRUVALLUR, TAMILNADU.**

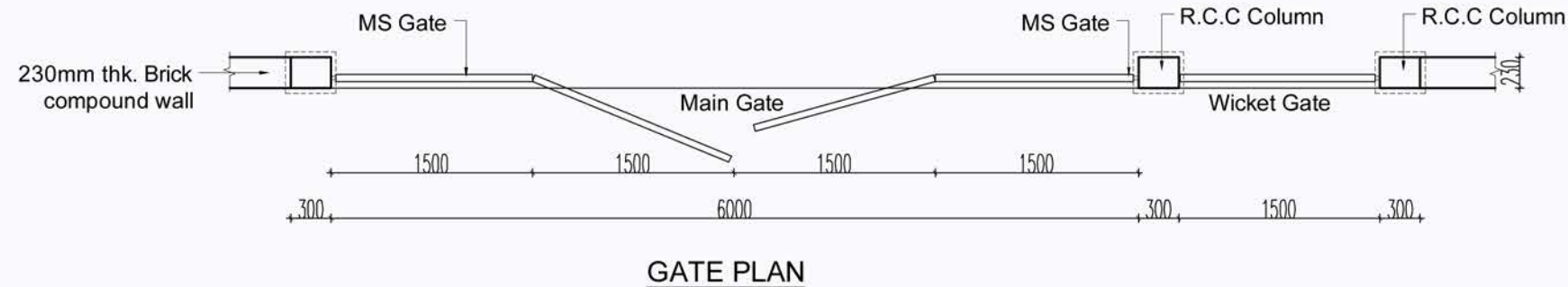
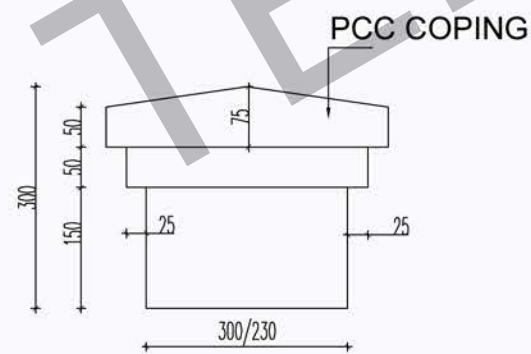
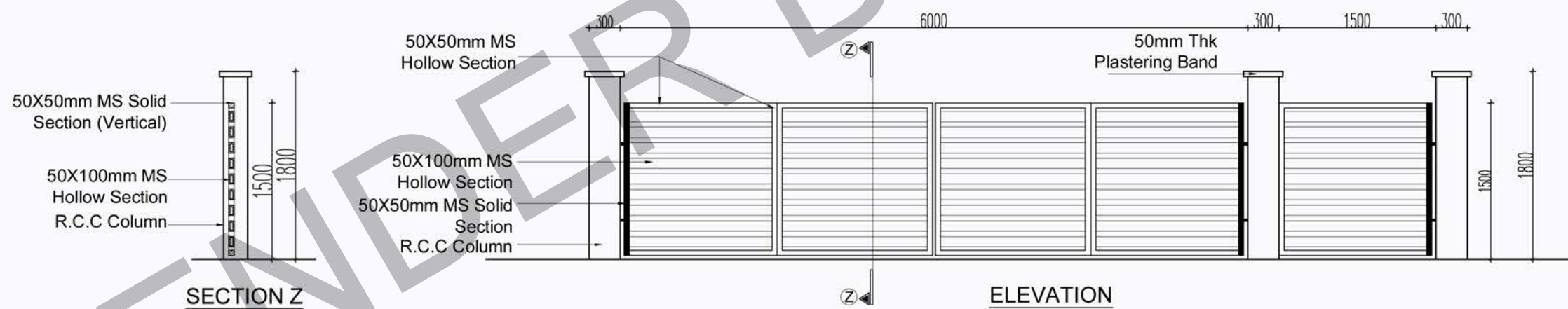
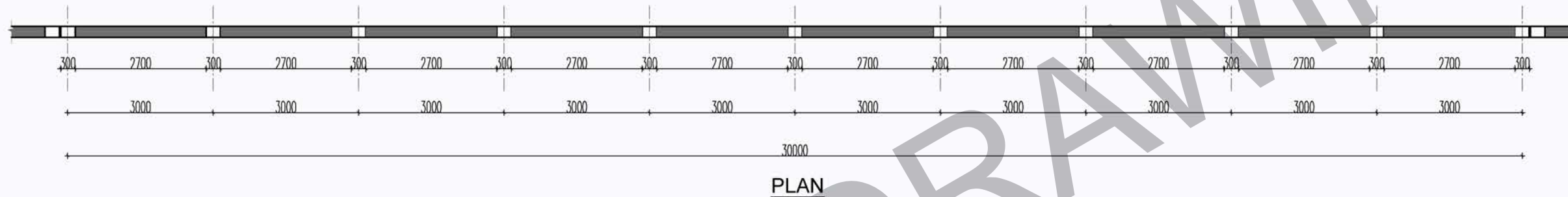
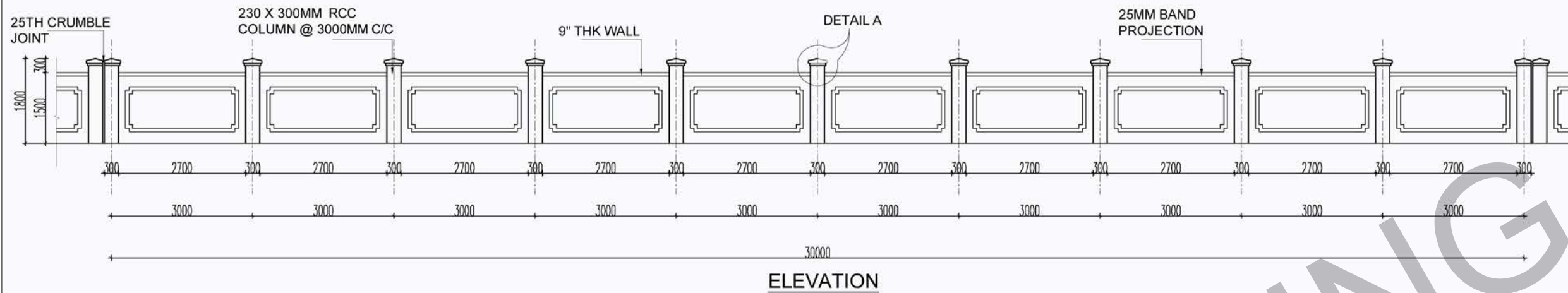
DRAWING TITLE:  
**JOINERY DETAIL (WINDOWS & VENTILATOR)**

- SCHEMATIC DRAWING     WORKING DRAWING  
 TENDER DRAWING     AS BUILT DRAWING

SCALE : N.T.S	DATE : 16/02/2026	REV NO: 00
DRAWN BY : ABIRAMI	CHECKED BY : M.S	
JOB NO : 3070/25	DWG NO : ARC - TR - 09	

ARCHITECT:  
**NANDA & ASSOCIATES ARCHITECTS**  
 NO.36, SARASWATHI ILLAM, JANAKIRAM COLONY MAIN RD. JANAKIRAM COLONY., ARUMBAKKAM., CHENNAI - 600 106. TELEPHONE:044-23637420, E-mail:nandaarchitects@gmail.com

NOTE: ALL DIMENSIONS ARE IN MM



**FRONT GATE WITH COMPOUND BRICK MASONRY WALL DETAIL**

**COPYRIGHT:**  
All rights reserved, this work is copyright and cannot be or copied in any form or by any means (graphic, electronic or reproduced mechanical, including photocopying) without the written permission of nanda & associates. Any licence, express or implied, to use the document for any purpose whatsoever is restricted to the terms of the agreement or implied agreement with nanda & associates

**LEGEND :**

230MM ,115MM THK BRICK WORK

R.C.C COLUMN

**NORTH POINT :**

REV.	DESCRIPTION	DATE	BY	DRN.

**CLIENT:**  
**INDIAN BANK**

**PROJECT :**  
**PROPOSED CONSTRUCTION OF INDIAN BANK'S RURAL SELF EMPLOYMENT TRAINING INSTITUTE AT THIRUVALLUR, TAMILNADU.**

**DRAWING TITLE :**  
**COMPOUND WALL & GATE DETAILS**

- SCHEMATIC DRAWING
- WORKING DRAWING
- TENDER DRAWING
- AS BUILT DRAWING

SCALE : N.T.S	DATE : 16/02/2026	REV NO: 00
DRAWN BY : ABIRAMI	CHECKED BY : M.S	
JOB NO : 3070/25	DWG NO : ARC - TR - 10	

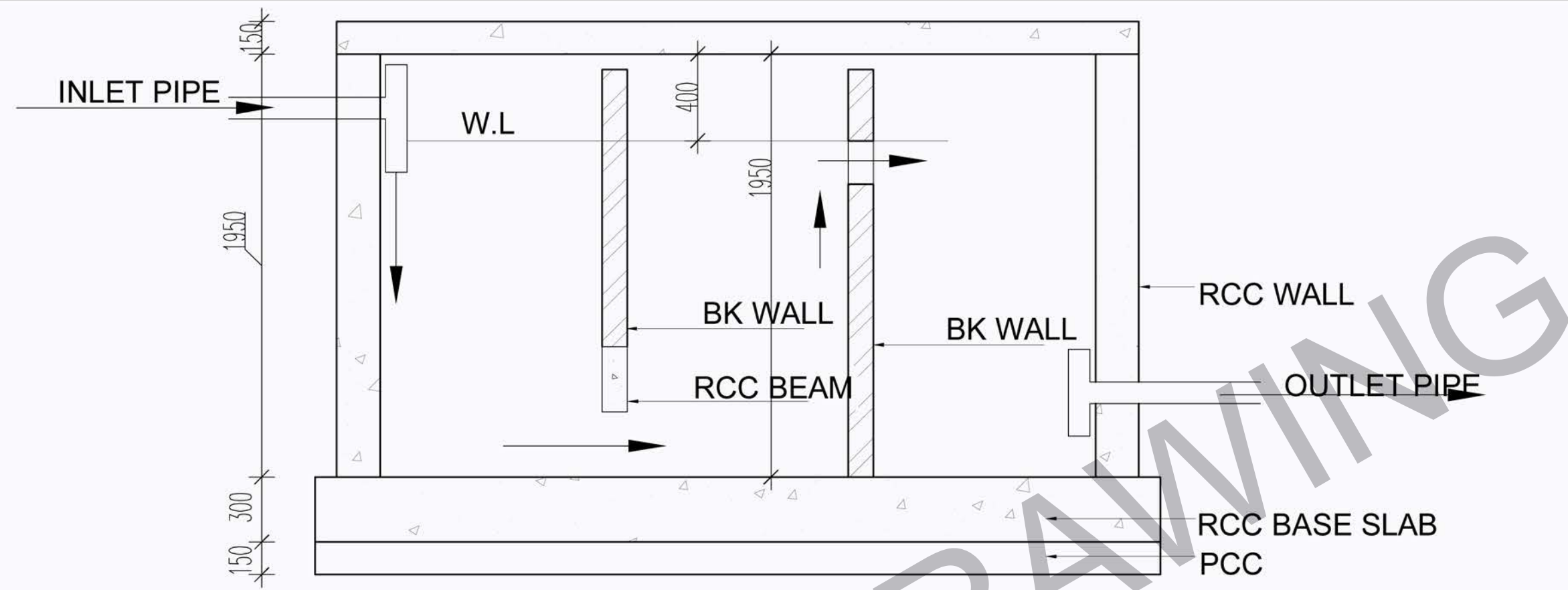
**ARCHITECT :**

**NANDA & ASSOCIATES ARCHITECTS**

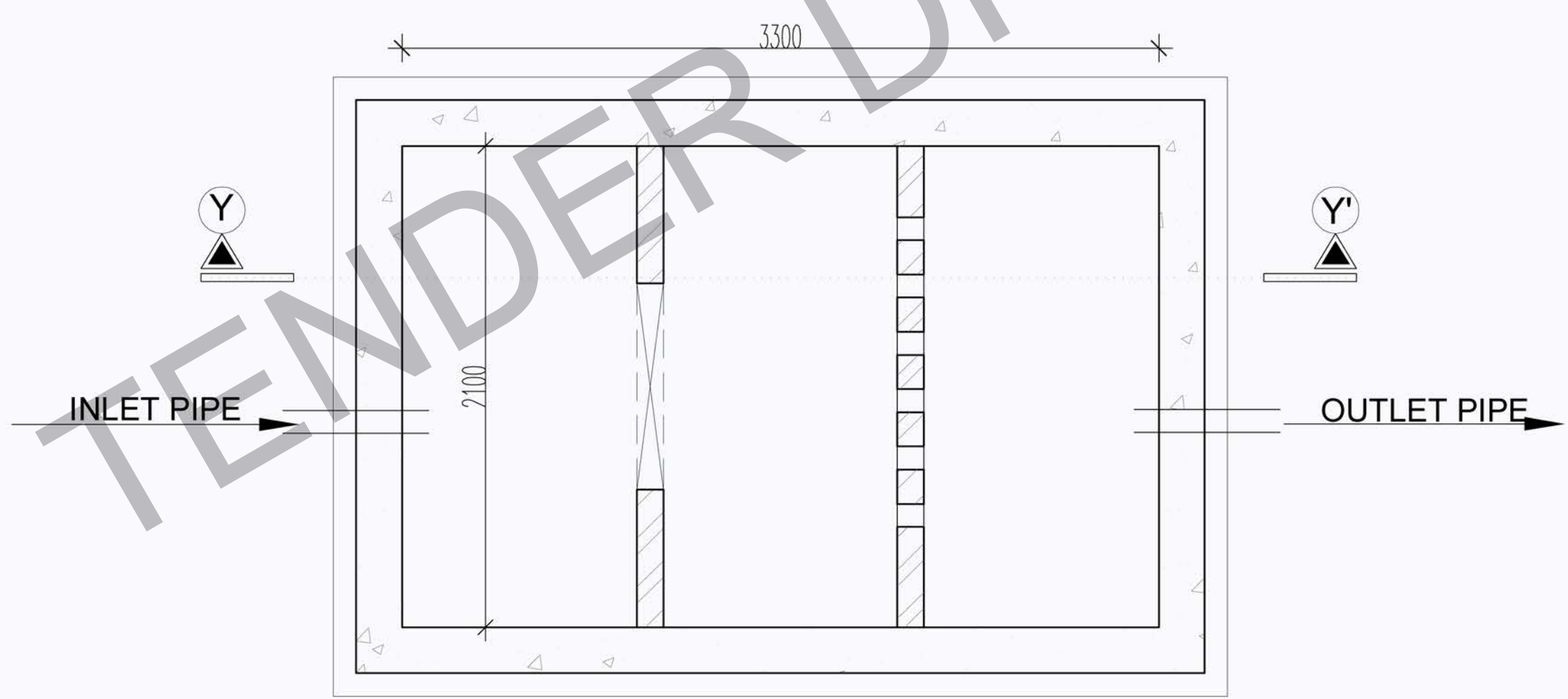
NO.36, SARASWATHI ILLAM, JANAKIRAM COLONY MAIN RD. JANAKIRAM COLONY., ARUMBAKKAM., CHENNAI - 600 106. TELEPHONE:044-23637420,E-mail:nandaarchitects@gmail.com

NOTE: ALL DIMENSIONS ARE IN MM

COPYRIGHT:  
 All rights reserved. This work is copyright and cannot be or copied in any form or by any means (graphic, electronic or reproduced mechanical, including photocopying) without the written permission of nanda & associates. Any licence, express or implied, to use the document for any purpose whatsoever is restricted to the terms of the agreement or implied agreement with nanda & associates.



SECTION - YY'



PLAN OF SEPTIC TANK  
 3300 x 2100 x 1950  
 (13,000 LITERS CAPACITY)

REV.	DESCRIPTION	DATE	BY	DRN.

CLIENT:  
**INDIAN BANK**

PROJECT:  
 PROPOSED CONSTRUCTION OF INDIAN BANK'S RURAL SELF EMPLOYMENT TRAINING INSTITUTE AT THIRUVALLUR, TAMILNADU.

DRAWING TITLE:  
**SEPTIC TANK DETAILS**

- SCHEMATIC DRAWING
- WORKING DRAWING
- TENDER DRAWING
- AS BUILT DRAWING

SCALE : N.T.S	DATE : 16/02/2026	REV NO: 00
DRAWN BY : ABIRAMI	CHECKED BY : M.S	
JOB NO : 3070/25	DWG NO : ARC - TR - 11	

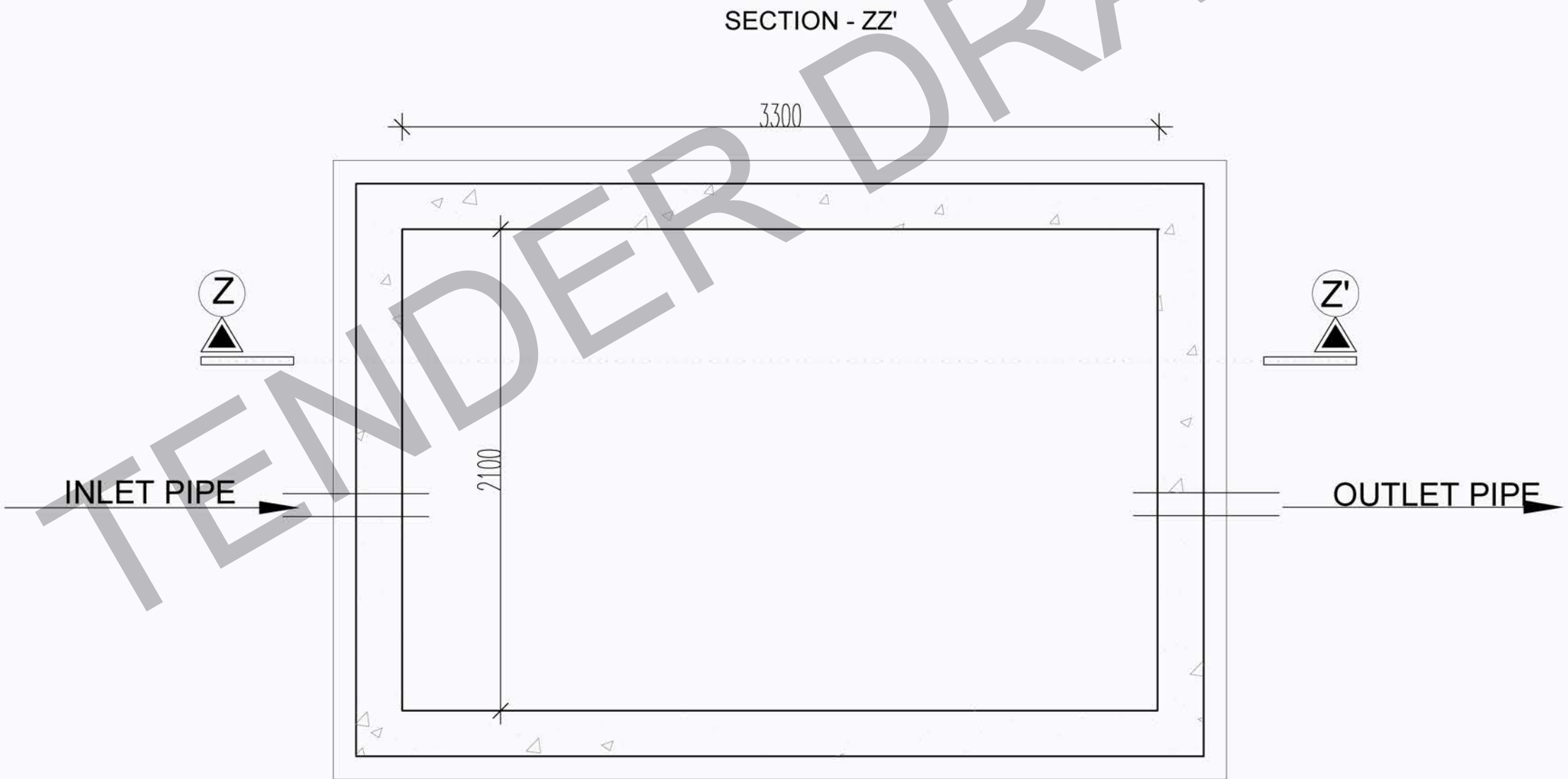
ARCHITECT:

**NANDA & ASSOCIATES**  
 ARCHITECTS

NO.36, SARASWATHI ILLAM, JANAKIRAM COLONY MAIN RD.  
 JANAKIRAM COLONY., ARUMBAKKAM., CHENNAI - 600 106.  
 TELEPHONE:044-23637420,E-mail:nandaarchitects@gmail.com

NOTE: ALL DIMENSIONS ARE IN MM

**COPYRIGHT:**  
 All rights reserved. This work is copyright and cannot be or copied in any form or by any means (graphic, electronic or reproduced mechanical, including photocopying) without the written permission of nanda & associates. Any licence, express or implied, to use the document for any purpose whatsoever is restricted to the terms of the agreement or implied agreement with nanda & associates.



**PLAN OF SUMP**  
 3300 x 2100 x 1950  
 (13,000 LITERS CAPACITY)

REV.	DESCRIPTION	DATE	BY	DRN.

CLIENT:  
**INDIAN BANK**

PROJECT:  
 PROPOSED CONSTRUCTION OF INDIAN BANK'S RURAL SELF EMPLOYMENT TRAINING INSTITUTE AT THIRUVALLUR, TAMILNADU.

DRAWING TITLE:  
**SUMP DETAILS**

- SCHEMATIC DRAWING
- WORKING DRAWING
- TENDER DRAWING
- AS BUILT DRAWING

SCALE : N.T.S	DATE : 16/02/2026	REV NO: 00
DRAWN BY : ABIRAMI	CHECKED BY : M.S	
JOB NO : 3070/25	DWG NO : ARC - TR - 12	

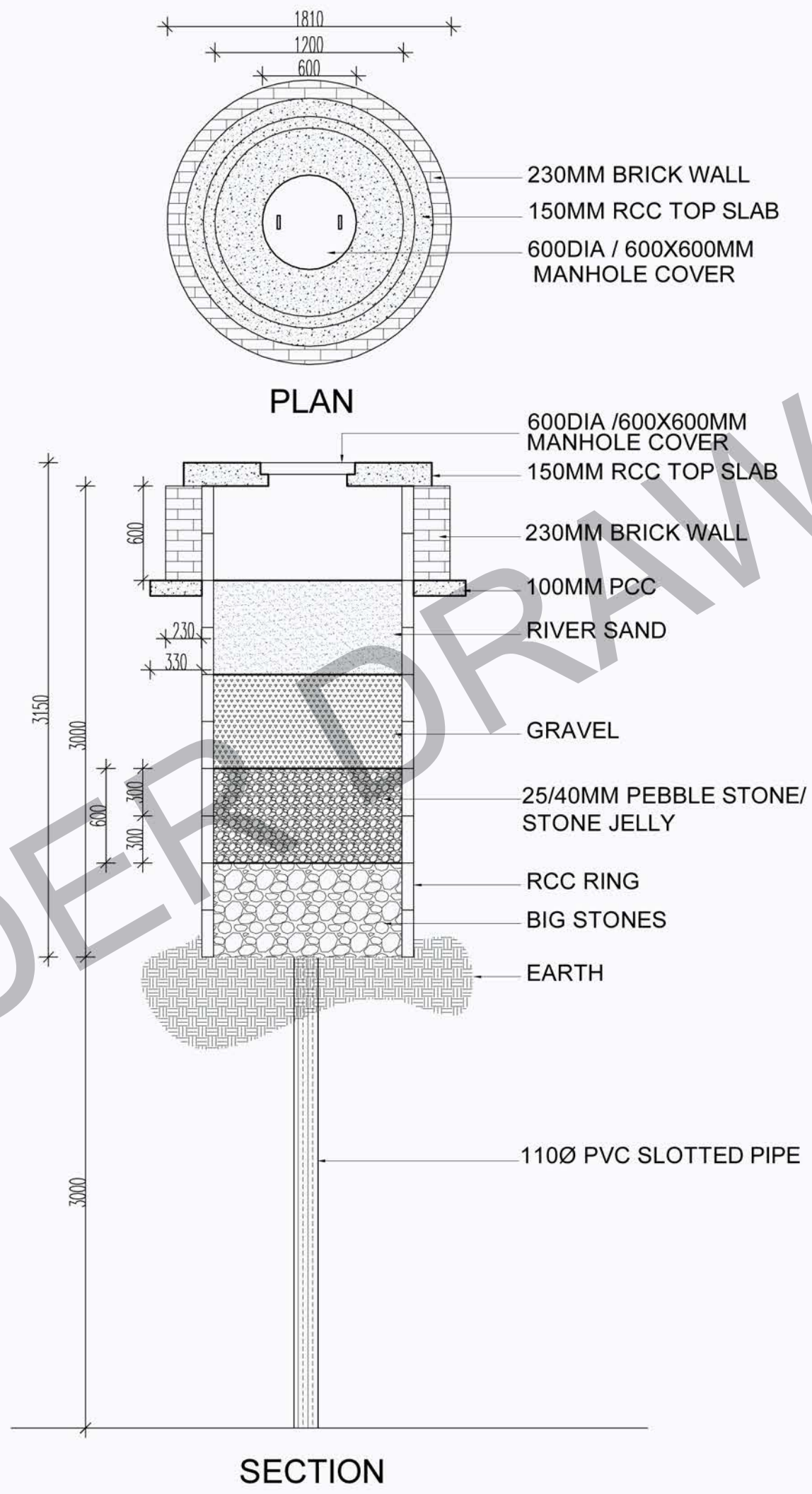
ARCHITECT:

**NANDA & ASSOCIATES**  
 ARCHITECTS

NO.36, SARASWATHI ILLAM, JANAKIRAM COLONY MAIN RD.  
 JANAKIRAM COLONY., ARUMBAKKAM., CHENNAI - 600 106.  
 TELEPHONE:044-23637420,E-mail:nandaarchitects@gmail.com

NOTE: ALL DIMENSIONS ARE IN MM

**COPYRIGHT:**  
 All rights reserved. This work is copyright and cannot be or copied in any form or by any means (graphic, electronic or reproduced mechanical, including photocopying) without the written permission of nanda & associates. Any licence, express or implied, to use the document for any purpose whatsoever is restricted to the terms of the agreement or implied agreement with nanda & associates.



TENDER DRAWING

REV.	DESCRIPTION	DATE	BY	DRN.

CLIENT:  
**INDIAN BANK**

PROJECT:  
**PROPOSED CONSTRUCTION OF INDIAN BANK'S RURAL SELF EMPLOYMENT TRAINING INSTITUTE AT THIRUVALLUR, TAMILNADU.**

DRAWING TITLE:  
**SOAK PIT DETAILS**

- SCHEMATIC DRAWING       WORKING DRAWING
- TENDER DRAWING           AS BUILT DRAWING

SCALE : N.T.S	DATE : 16/02/2026	REV NO: 00
DRAWN BY : ABIRAMI	CHECKED BY : M.S	
JOB NO : 3070/25	DWG NO : ARC - TR - 13	

ARCHITECT:

**NANDA & ASSOCIATES**  
 ARCHITECTS

NO.36, SARASWATHI ILLAM, JANAKIRAM COLONY MAIN RD.  
 JANAKIRAM COLONY., ARUMBAKKAM., CHENNAI - 600 106.  
 TELEPHONE:044-23637420,E-mail:nandaarchitects@gmail.com

NOTE: ALL DIMENSIONS ARE IN MM