

SITE PLAN

COPYRIGHT:
 All rights reserved. This work is copyright and cannot be copied in any form or by any means (graphic, electronic or reproduced mechanical including photocopying) without the written permission of nanda & associates. Any licence, express or implied, to use the document for any purpose whatsoever is restricted to the terms of the agreement or implied agreement with nanda & associates

LEGEND :

- 230MM , 115MM THK BRICK WORK
- R.C.C COLUMN

NORTH POINT :

AREA STATEMENT

PLOT AREA - 4012.00 SQ.M

S.NO.	DESCRIPTION	AREA IN (Sq.m)	AREA IN (Sq.ft)
1	GROUND FLOOR	575.00	6189.00
2	FIRST FLOOR	494.00	5317.00
3	SHR	54.00	581.00
TOTAL		1123.00	12087.00

LEGENDS :-

- SETBACK LINE
- SITE BOUNDARY
- BUILDING LINE
- DRIVE WAY

REV.	DESCRIPTION	DATE	BY	DRN.

CLIENT:
INDIAN BANK

PROJECT:
PROPOSED CONSTRUCTION OF INDIAN BANK'S RURAL SELF EMPLOYMENT TRAINING INSTITUTE AT KRISHNAGIRI, TAMILNADU.

DRAWING TITLE :
WORKING DRAWING

- SCHEMATIC DRAWING
- WORKING DRAWING
- TENDER DRAWING
- AS BUILT DRAWING

SCALE : N.T.S	DATE : 10/02/2026	REV NO: 00
DRAWN BY : ABIRAMI	CHECKED BY : M.S	
JOB NO : 3045/25	DWG NO : ARC - TR - 01	

ARCHITECT :

NANDA & ASSOCIATES ARCHITECTS

NO.36, SARASWATHI ILLAM, JANAKIRAM COLONY MAIN RD. JANAKIRAM COLONY., ARUMBAKKAM., CHENNAI - 600 106. TELEPHONE:044-23637420,E-mail:nandaarchitects@gmail.com



NOTE: ALL DIMENSIONS ARE IN MM

COPYRIGHT:
All rights reserved. This work is copyright and cannot be copied in any form or by any means (graphic, electronic or reproduced mechanical including photocopying) without the written permission of nanda & associates. Any licence, express or implied, to use the document for any purpose whatsoever is restricted to the terms of the agreement or implied agreement with nanda & associates

LEGEND :

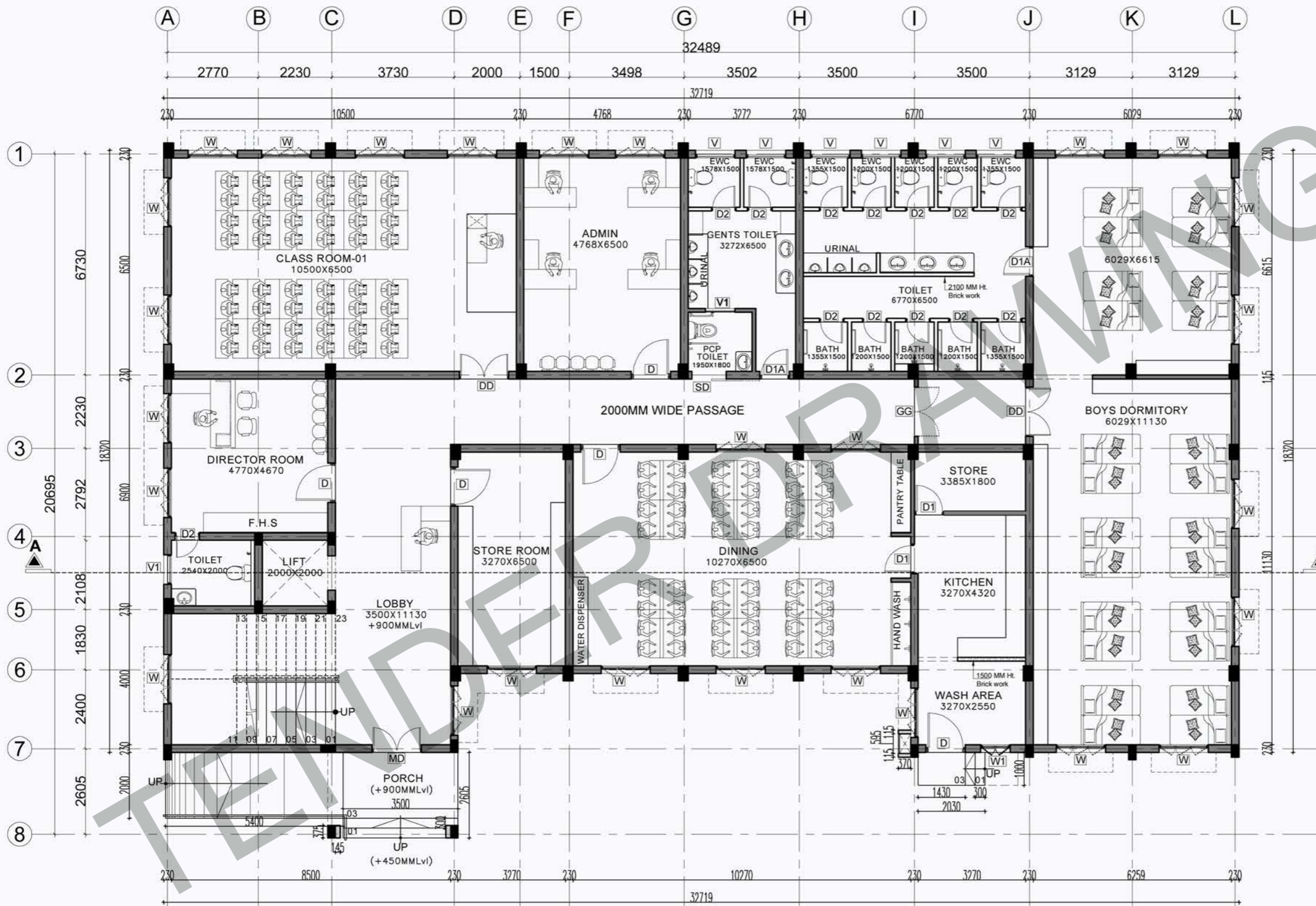
230MM , 115MM THK BRICK WORK

R.C.C COLUMN

NORTH POINT :

SCHEDULE OF JOINERY

S.NO.	SYMBOL	DESCRIPTION	SIZE
1	MD	MAIN DOOR	1500X2100
2	DD	FLUSH DOOR	1500X2100
3	D	FLUSH DOOR	1200X2100
4	D1	FLUSH DOOR	900X2100
5	D1A	FLUSH DOOR	900X2100
6	D2	FRP DOOR	750X2100
7	SD	SLIDING DOOR	1050X2100
8	GG	GRILL GATE	1500X2100
9	W	UPVC WINDOW	1500X1350
10	W1	UPVC WINDOW	900X1350
11	V	VENTILATOR	1200X600
12	V1	VENTILATOR	900X600



REV.	DESCRIPTION	DATE	BY	DRN.

CLIENT:
INDIAN BANK

PROJECT:
PROPOSED CONSTRUCTION OF INDIAN BANK'S RURAL SELF EMPLOYMENT TRAINING INSTITUTE AT KRISHNAGIRI, TAMILNADU.

DRAWING TITLE:
WORKING DRAWING

SCHEMATIC DRAWING WORKING DRAWING
 TENDER DRAWING AS BUILT DRAWING

SCALE : N.T.S	DATE : 10/02/2026	REV NO: 00
DRAWN BY : ABIRAMI	CHECKED BY : M.S	
JOB NO : 3045/25	DWG NO : ARC - TR - 02	

ARCHITECT:
NANDA & ASSOCIATES ARCHITECTS

NO.36, SARASWATHI ILLAM, JANAKIRAM COLONY MAIN RD. JANAKIRAM COLONY., ARUMBAKKAM., CHENNAI - 600 106. TELEPHONE:044-23637420, E-mail:nandaarchitects@gmail.com

- NOTES:-
1. ROOF HEIGHT 3300 ROOF TOP TO TOP
 2. LINTEL HEIGHT 2100 .
 3. SILL HEIGHT 750 .
 4. WINDOW HEIGHT 1350 .

GROUND FLOOR PLAN

NOTE: ALL DIMENSIONS ARE IN MM



COPYRIGHT:
All rights reserved. This work is copyright and cannot be copied in any form or by any means (graphic, electronic or reproduced mechanical, including photocopying) without the written permission of nanda & associates. Any licence, express or implied, to use the document for any purpose whatsoever is restricted to the terms of the agreement or implied agreement with nanda & associates

LEGEND :

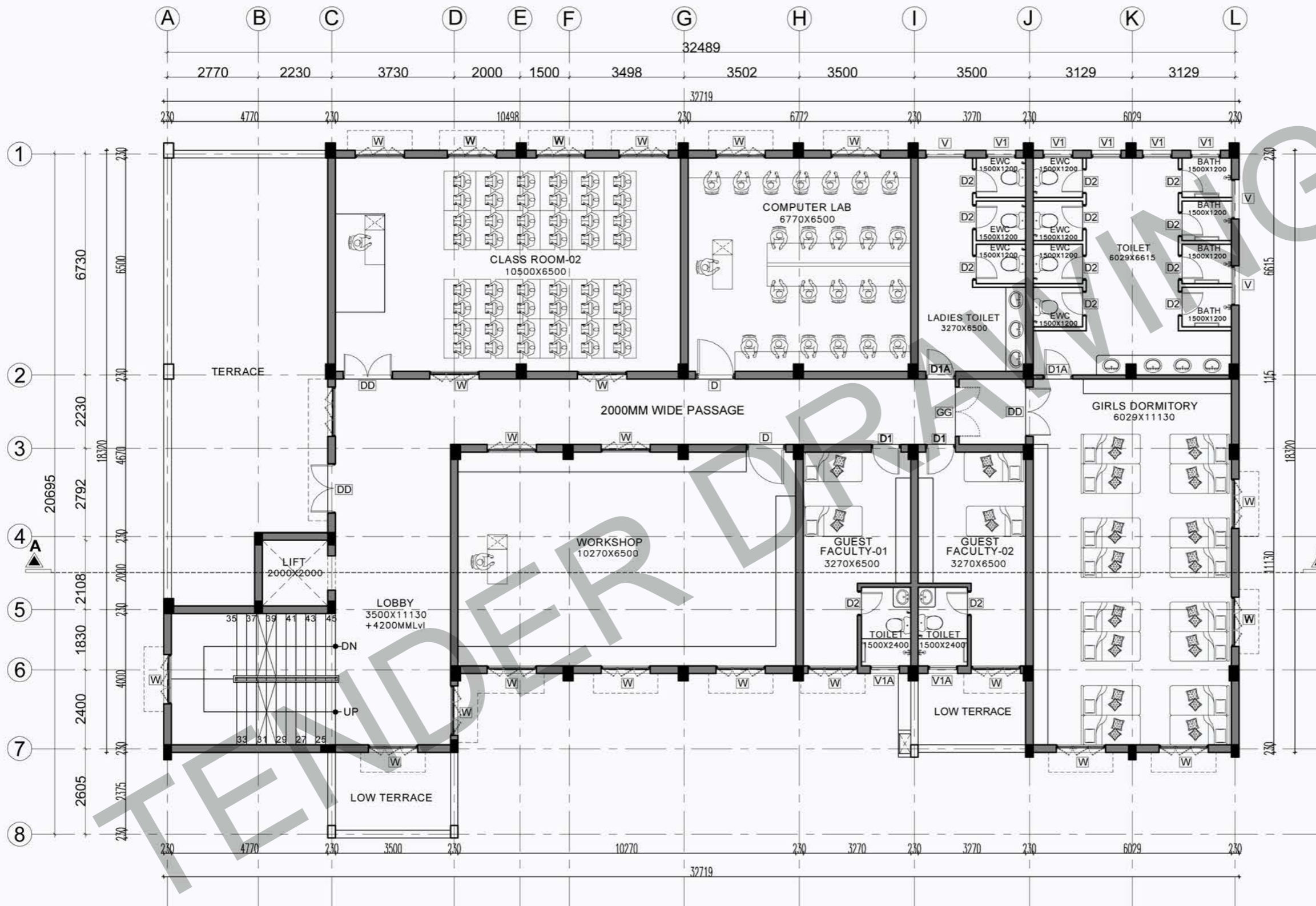
230MM , 115MM THK BRICK WORK

R.C.C COLUMN

NORTH POINT :

SCHEDULE OF JOINERY

S.NO.	SYMBOL	DESCRIPTION	SIZE
1	DD	FLUSH DOOR	1500X2100
2	D	FLUSH DOOR	1200X2100
3	D1	FLUSH DOOR	900X2100
4	D1A	FLUSH DOOR	900X2100
5	D2	FRP DOOR	750X2100
6	GG	GRILL GATE	1500X2100
7	W	UPVC WINDOW	1500X1350
8	V	UPVC VENTILATOR	1200X600
9	V1	UPVC VENTILATOR	900X600
10	V1A	UPVC VENTILATOR	900X600



REV.	DESCRIPTION	DATE	BY	DRN.

CLIENT:
INDIAN BANK

PROJECT:
PROPOSED CONSTRUCTION OF INDIAN BANK'S RURAL SELF EMPLOYMENT TRAINING INSTITUTE AT KRISHNAGIRI, TAMILNADU.

DRAWING TITLE:
WORKING DRAWING

SCHEMATIC DRAWING WORKING DRAWING

TENDER DRAWING AS BUILT DRAWING

SCALE : N.T.S	DATE : 10/02/2026	REV NO: 00
DRAWN BY : ABIRAMI	CHECKED BY : M.S	
JOB NO : 3045/25	DWG NO : ARC - TR - 03	

ARCHITECT :

NANDA & ASSOCIATES ARCHITECTS

NO.36, SARASWATHI ILLAM, JANAKIRAM COLONY MAIN RD. JANAKIRAM COLONY., ARUMBAKKAM., CHENNAI - 600 106. TELEPHONE:044-23637420, E-mail:nandaarchitects@gmail.com

- NOTES:-
1. ROOF HEIGHT 3300 ROOF TOP TO TOP
 2. LINTEL HEIGHT 2100 .
 3. SILL HEIGHT 750 .
 4. WINDOW HEIGHT 1350 .

FIRST FLOOR PLAN

NOTE: ALL DIMENSIONS ARE IN MM



COPYRIGHT:
All rights reserved. This work is copyright and cannot be copied in any form or by any means (graphic, electronic or reproduced mechanical, including photocopying) without the written permission of nanda & associates. Any licence, express or implied, to use the document for any purpose whatsoever is restricted to the terms of the agreement or implied agreement with nanda & associates.

LEGEND :

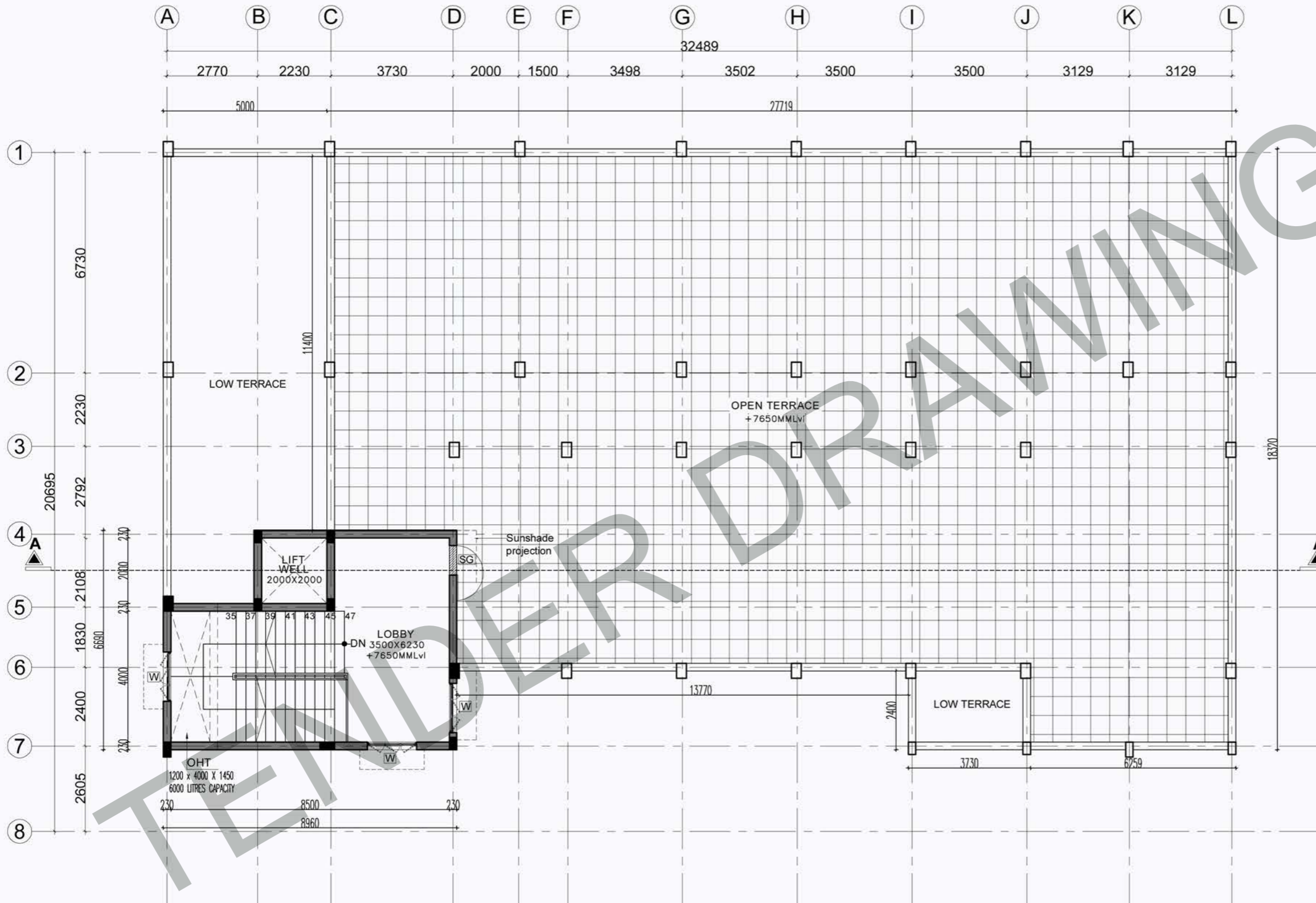
230MM , 115MM THK BRICK WORK

R.C.C COLUMN

NORTH POINT :

SCHEDULE OF JOINERY

S.NO.	SYMBOL	DESCRIPTION	SIZE
1	SG	STEEL GATE	900X2100
2	W	WINDOW	1500X1350



REV.	DESCRIPTION	DATE	BY	DRN.

CLIENT:
INDIAN BANK

PROJECT:
PROPOSED CONSTRUCTION OF INDIAN BANK'S RURAL SELF EMPLOYMENT TRAINING INSTITUTE AT KRISHNAGIRI, TAMILNADU.

DRAWING TITLE :
WORKING DRAWING

SCHEMATIC DRAWING WORKING DRAWING

TENDER DRAWING AS BUILT DRAWING

SCALE : N.T.S	DATE : 10/02/2026	REV NO: 00
DRAWN BY : ABIRAMI	CHECKED BY : M.S	
JOB NO : 3045/25	DWG NO : ARC - TR - 04	

ARCHITECT :

NANDA & ASSOCIATES ARCHITECTS

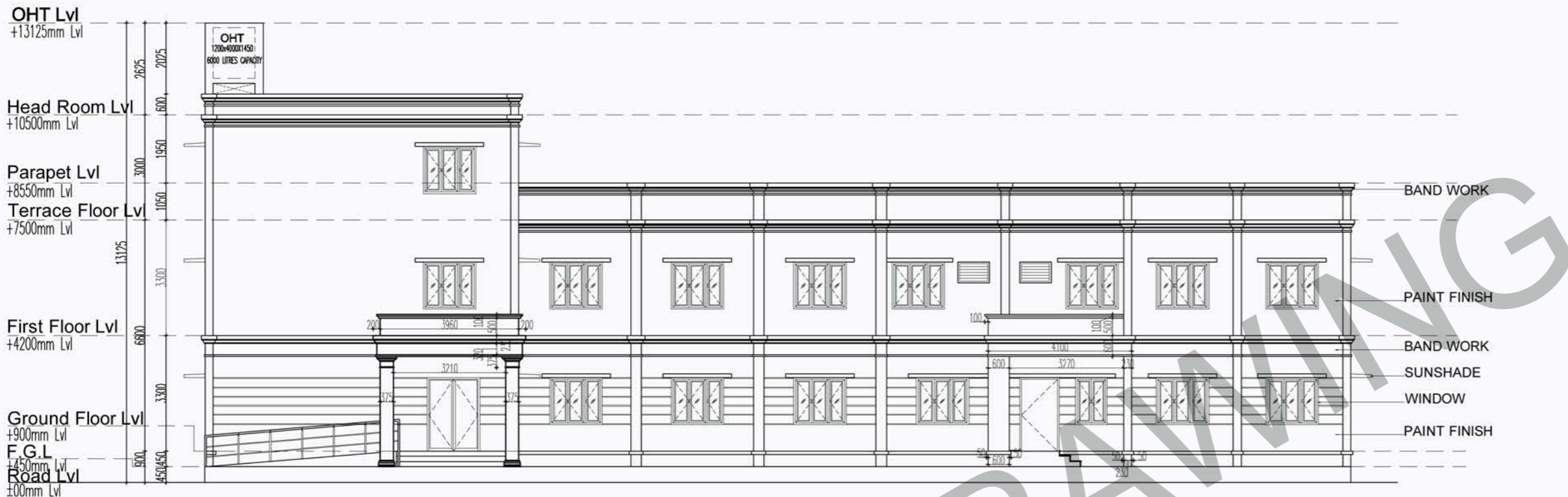
NO.36, SARASWATHI ILLAM, JANAKIRAM COLONY MAIN RD. JANAKIRAM COLONY., ARUMBAKKAM., CHENNAI - 600 106. TELEPHONE:044-23637420,E-mail:nandaarchitects@gmail.com

- NOTES:-
1. ROOF HEIGHT 3300 ROOF TOP TO TOP
 2. LINTEL HEIGHT 2100 .
 3. SILL HEIGHT 750 .
 4. WINDOW HEIGHT 1350 .

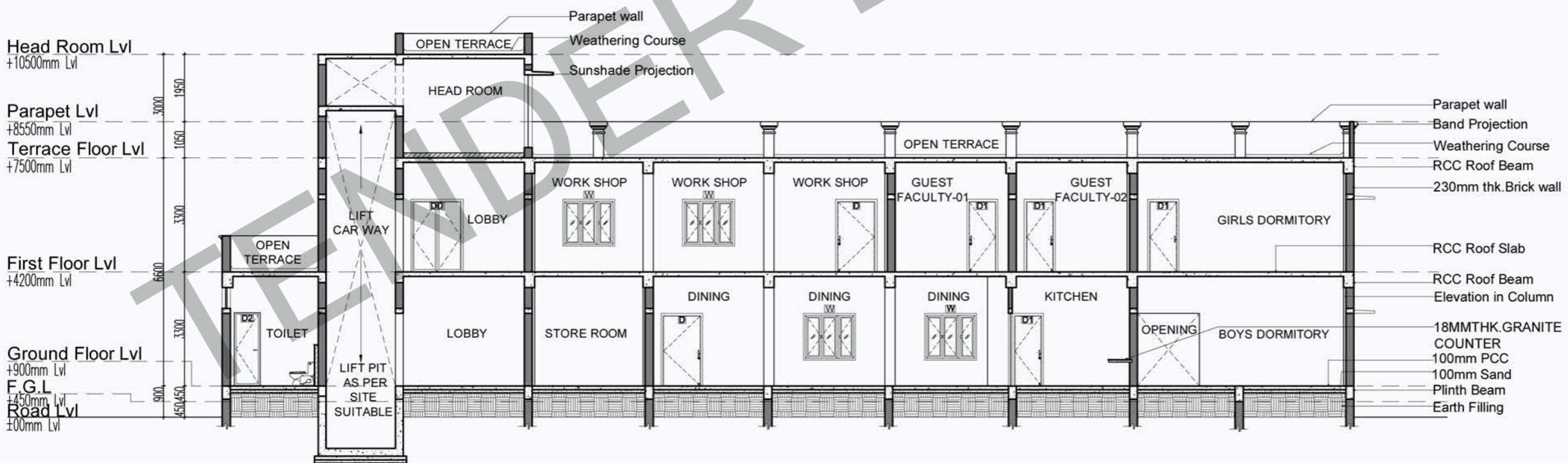
TERRACE FLOOR PLAN

NOTE: ALL DIMENSIONS ARE IN MM





FRONT ELEVATION



SECTION - AA

COPYRIGHT:
All rights reserved. this work is copyright and cannot be copied in any form or by any means (graphic, electronic or reproduced mechanical including photocopying) without the written permission of nanda & associates. Any licence, express or implied, to use the document for any purpose whatsoever is restricted to the terms of the agreement or implied agreement with nanda & associates

LEGEND :

- 230MM , 115MM THK BRICK WORK
- R.C.C COLUMN

NORTH POINT :

REV.	DESCRIPTION	DATE	BY	DRN.

CLIENT:
INDIAN BANK

PROJECT:
PROPOSED CONSTRUCTION OF INDIAN BANK'S RURAL SELF EMPLOYMENT TRAINING INSTITUTE AT KRISHNAGIRI, TAMILNADU.

DRAWING TITLE :
SECTION & ELEVATION

- SCHEMATIC DRAWING
- WORKING DRAWING
- TENDER DRAWING
- AS BUILT DRAWING

SCALE : N.T.S	DATE : 10/02/2026	REV NO: 00
DRAWN BY : ABIRAMI	CHECKED BY : M.S	
JOB NO : 3045/25	DWG NO : ARC - TR - 05	

ARCHITECT :

NANDA & ASSOCIATES
ARCHITECTS

NO.36, SARASWATHI ILLAM, JANAKIRAM COLONY MAIN RD.
JANAKIRAM COLONY., ARUMBAKKAM., CHENNAI - 600 106.
TELEPHONE:044-23637420,E-mail:nandaarchitects@gmail.com



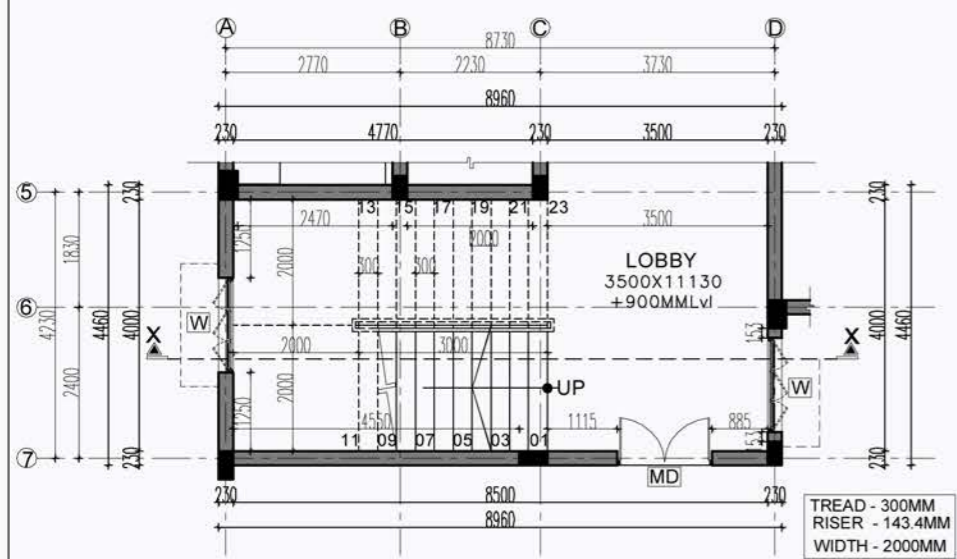
NOTE: ALL DIMENSIONS ARE IN MM

COPYRIGHT:
 All rights reserved. This work is copyright and cannot be copied in any form or by any means (graphic, electronic or reproduced mechanical including photocopying) without the written permission of nanda & associates. Any licence, express or implied, to use the document for any purpose whatsoever is restricted to the terms of the agreement or implied agreement with nanda & associates

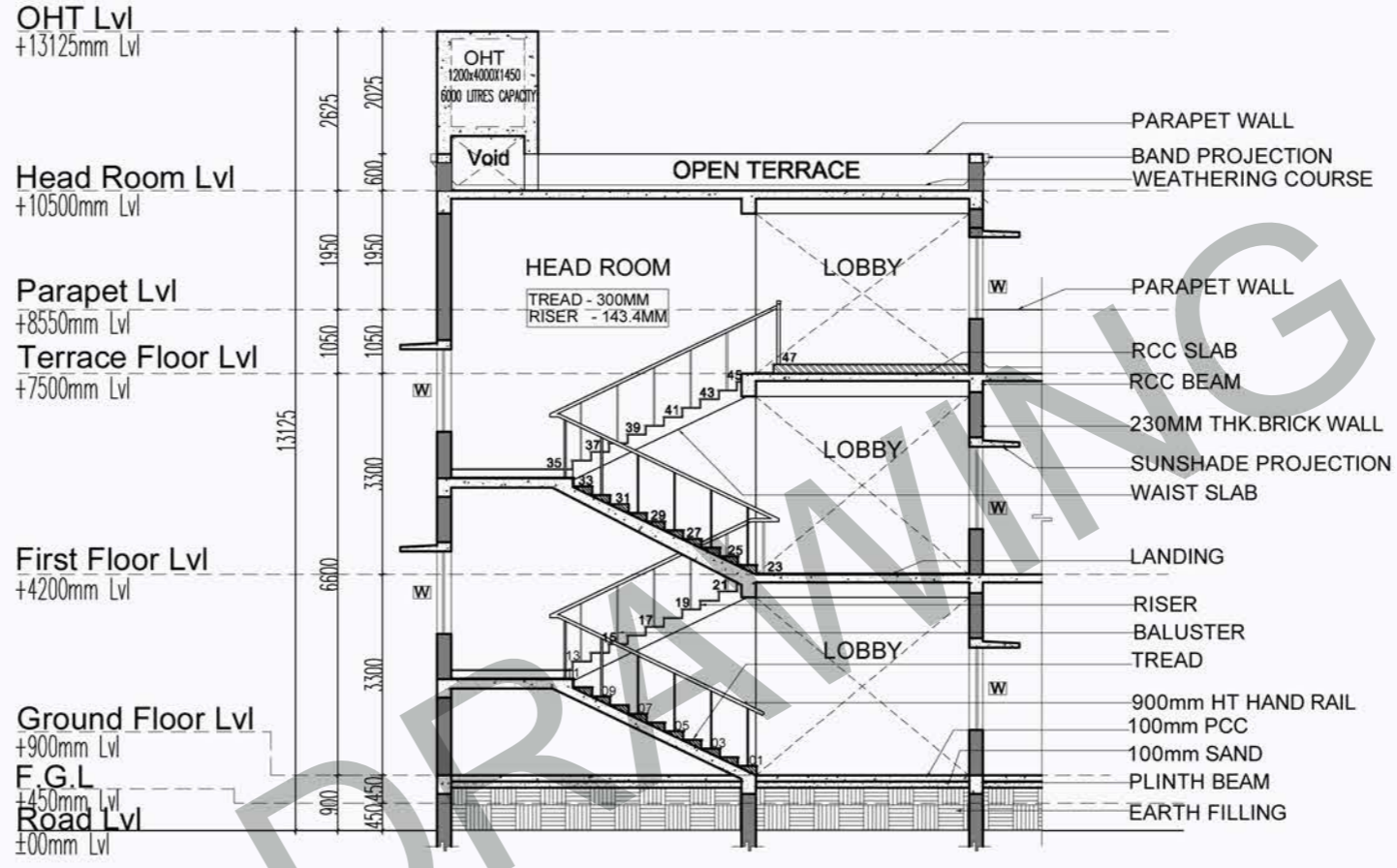
LEGEND :

- 230MM , 115MM THK BRICK WORK
- R.C.C COLUMN

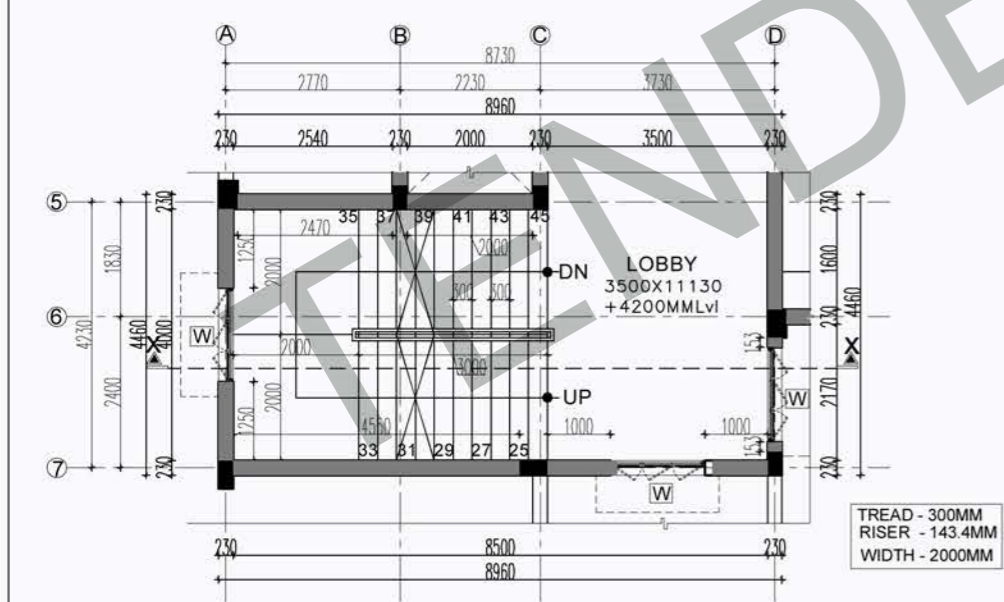
NORTH POINT :

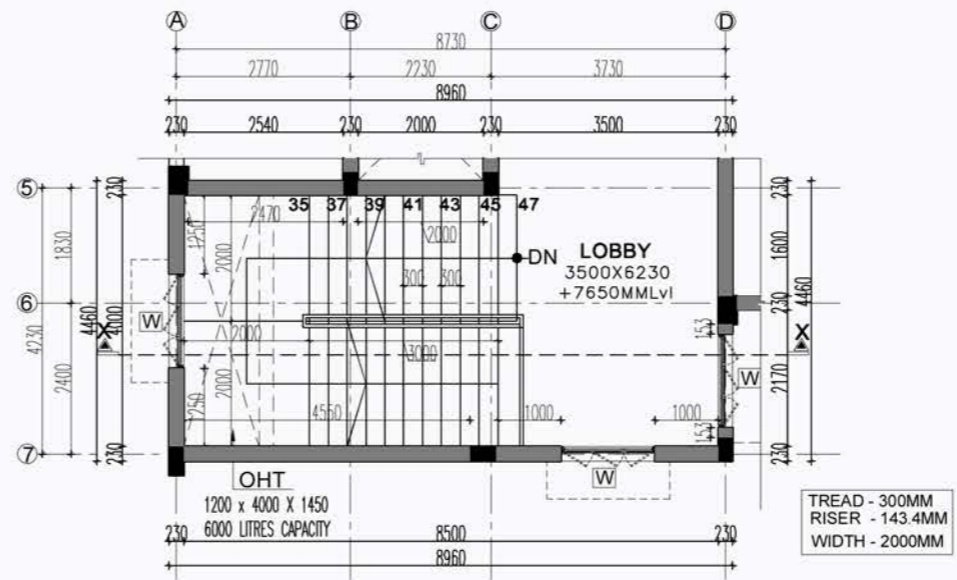
GROUND FLOOR PLAN



SECTION - XX



FIRST FLOOR PLAN



TERRACE FLOOR PLAN

REV.	DESCRIPTION	DATE	BY	DRN.

CLIENT:
INDIAN BANK

PROJECT:
PROPOSED CONSTRUCTION OF INDIAN BANK'S RURAL SELF EMPLOYMENT TRAINING INSTITUTE AT KRISHNAGIRI, TAMILNADU.

DRAWING TITLE :
STAIRCASE DETAILS

SCHEMATIC DRAWING WORKING DRAWING
 TENDER DRAWING AS BUILT DRAWING

SCALE : N.T.S	DATE : 10/02/2026	REV NO: 00
DRAWN BY : ABIRAMI	CHECKED BY : M.S	
JOB NO : 3045/25	DWG NO : ARC - TR - 06	

ARCHITECT :
NANDA & ASSOCIATES ARCHITECTS

NO.36, SARASWATHI ILLAM, JANAKIRAM COLONY MAIN RD. JANAKIRAM COLONY., ARUMBAKKAM., CHENNAI - 600 106. TELEPHONE:044-23637420,E-mail:nandaarchitects@gmail.com



NOTE: ALL DIMENSIONS ARE IN MM

COPYRIGHT:
All rights reserved. This work is copyright and cannot be copied in any form or by any means (graphic, electronic or reproduced mechanical including photocopying) without the written permission of nanda & associates. Any licence, express or implied, to use the document for any purpose whatsoever is restricted to the terms of the agreement or implied agreement with nanda & associates

LEGEND :

- 230MM , 115MM THK BRICK WORK
- R.C.C COLUMN

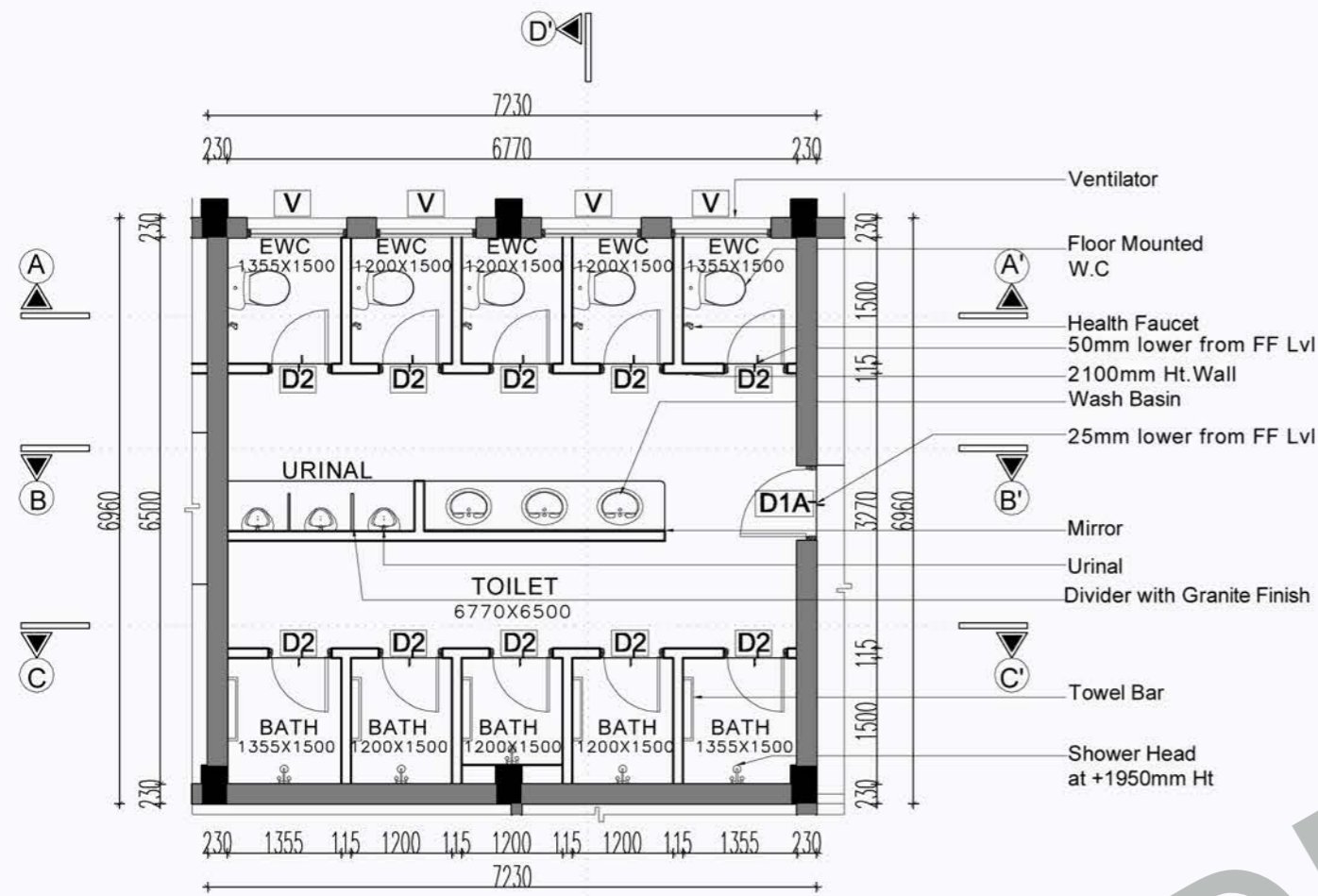
NORTH POINT :

FLOOR FINISHES:-

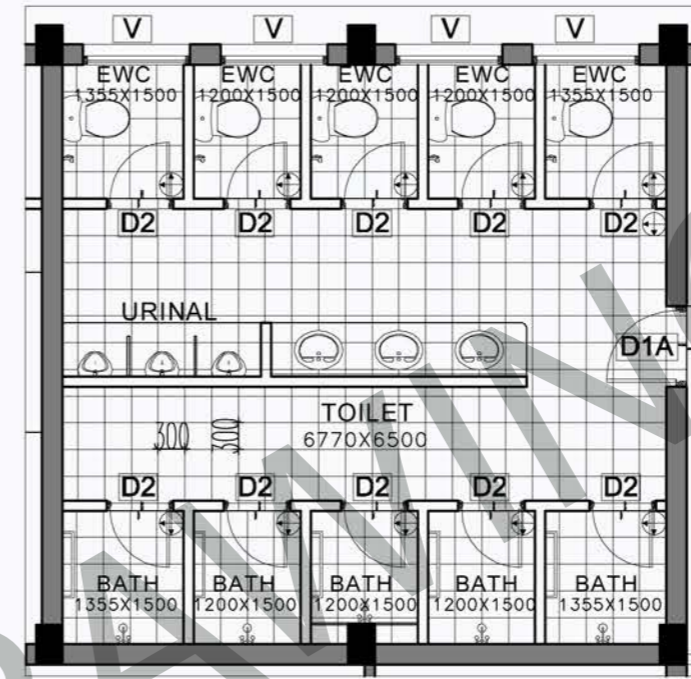
- 300x300mm ANTI SKID TILES
- 01.TOILETS

SCHEDULE OF JOINERY

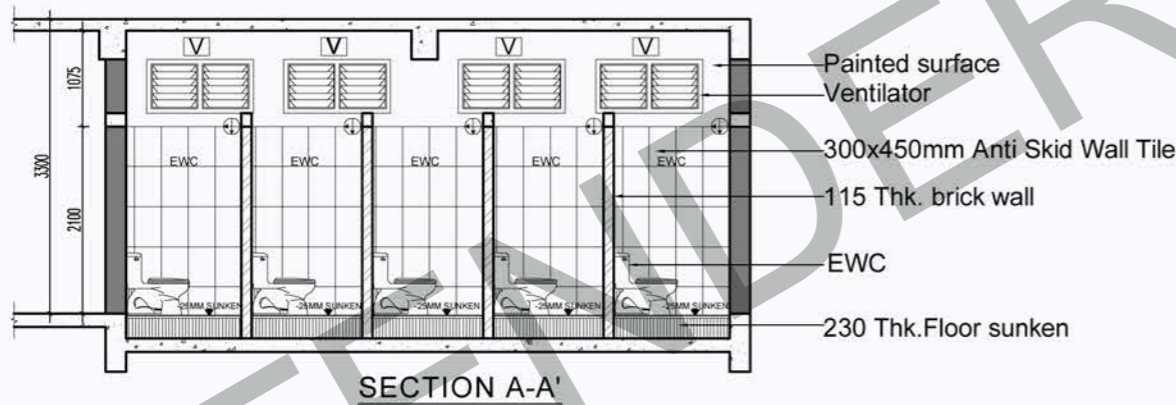
S.NO.	SYMBOL	DESCRIPTION	SIZE
1	D1A	FLUSH DOOR	900X2100
2	D2	FRP DOOR	750X2100
3	V	VENTILATOR	1200X600



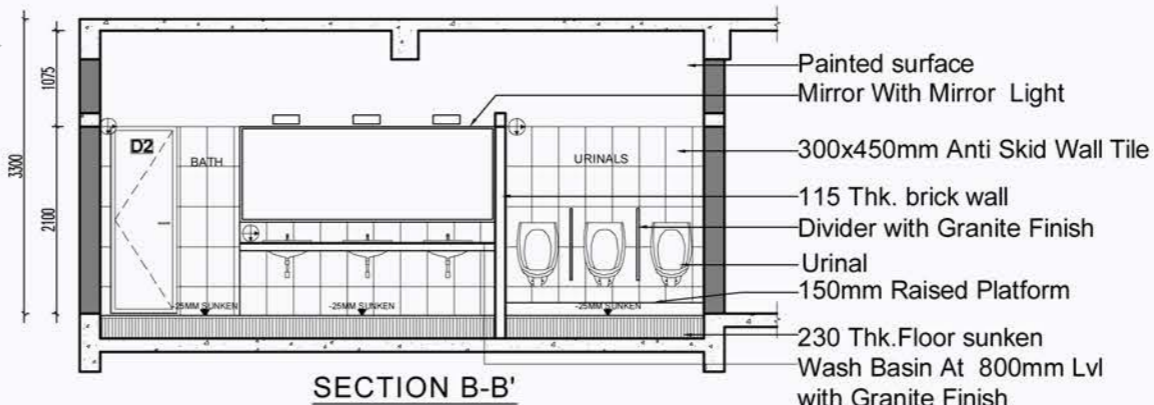
WORKING PLAN



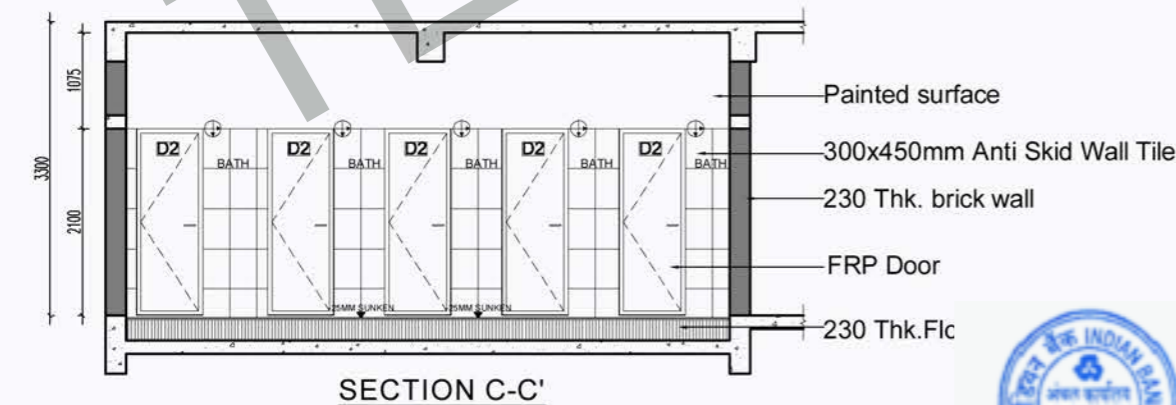
FLOORING LAYOUT



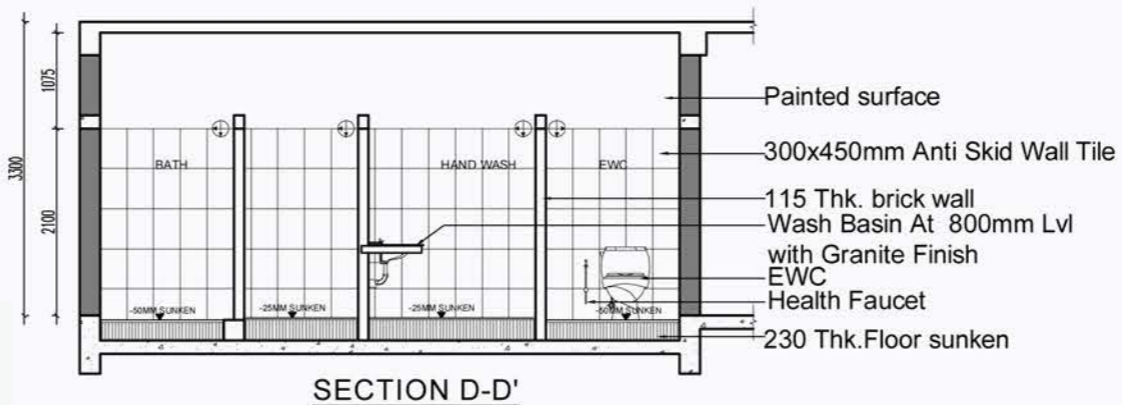
SECTION A-A'



SECTION B-B'



SECTION C-C'



SECTION D-D'



REV.	DESCRIPTION	DATE	BY	DRN.

CLIENT:
INDIAN BANK

PROJECT:
PROPOSED CONSTRUCTION OF INDIAN BANK'S RURAL SELF EMPLOYMENT TRAINING INSTITUTE AT KRISHNAGIRI, TAMILNADU.

DRAWING TITLE :
TOILET DETAILS

SCHEMATIC DRAWING WORKING DRAWING
 TENDER DRAWING AS BUILT DRAWING

SCALE : N.T.S	DATE : 10/02/2026	REV NO: 00
DRAWN BY : ABIRAMI	CHECKED BY : M.S	
JOB NO : 3045/25	DWG NO : ARC - TR - 07	

ARCHITECT :
NANDA & ASSOCIATES
 ARCHITECTS

NO.36, SARASWATHI ILLAM, JANAKIRAM COLONY MAIN RD.
 JANAKIRAM COLONY., ARUMBAKKAM., CHENNAI - 600 106.
 TELEPHONE:044-23637420,E-mail:nandaarchitects@gmail.com


NOTE:ALL DIMENSIONS ARE IN MM

COPYRIGHT:
All rights reserved. This work is copyright and cannot be copied in any form or by any means (graphic, electronic or reproduced mechanical including photocopying) without the written permission of nanda & associates. Any licence, express or implied, to use the document for any purpose whatsoever is restricted to the terms of the agreement or implied agreement with nanda & associates

LEGEND :

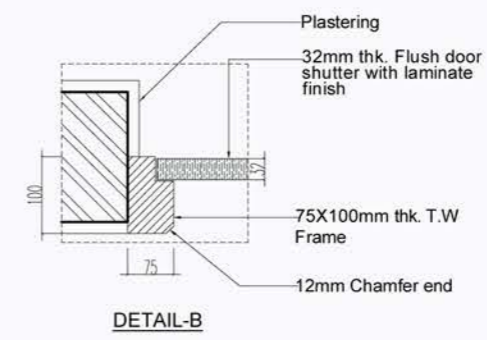
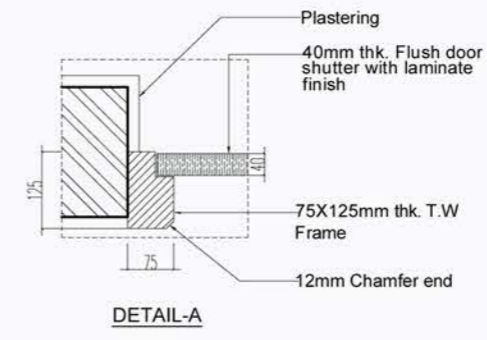
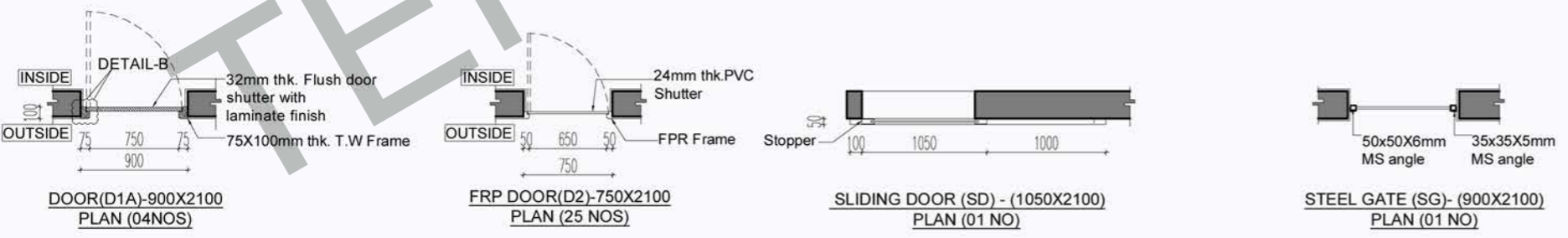
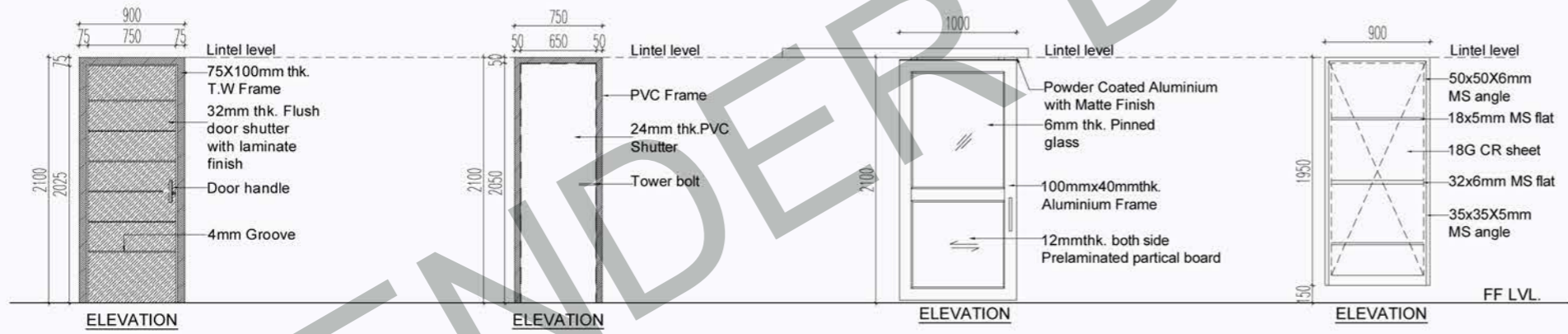
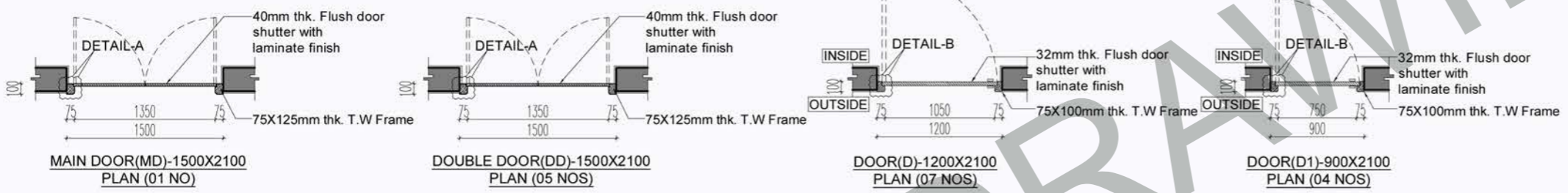
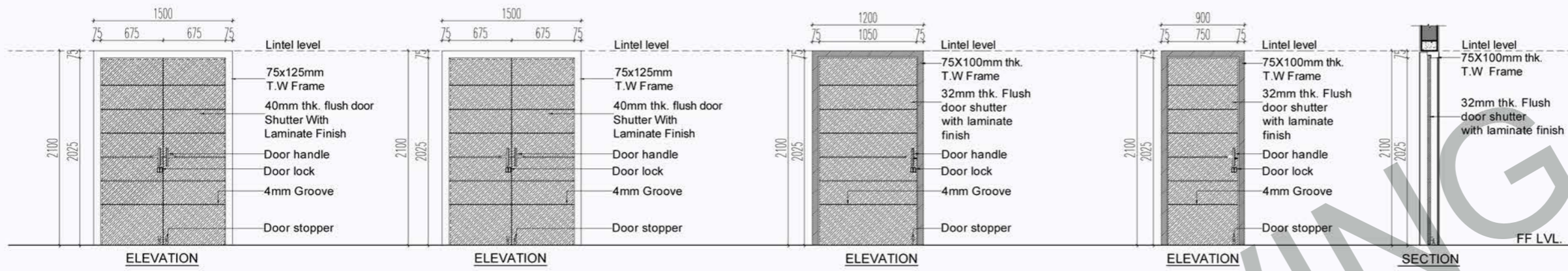
- 230MM , 115MM THK BRICK WORK
- R.C.C COLUMN

NORTH POINT :



SCHEDULE OF JOINERY

S.NO.	TYPE	DESCRIPTION	SIZE
1	MD	MAIN DOOR	1500X2100
2	DD	DOUBLE DOOR	1500X2100
3	D	FLUSH DOOR	1200X2100
4	D1	FLUSH DOOR	900X2100
5	D1A	FLUSH DOOR	900X2100
6	D2	FRP DOOR	750X2100
7	SD	SLIDING DOOR	1050X2100
8	SG	STEEL GATE	900X2100



REV.	DESCRIPTION	DATE	BY	DRN.

CLIENT:
INDIAN BANK

PROJECT:
PROPOSED CONSTRUCTION OF INDIAN BANK'S RURAL SELF EMPLOYMENT TRAINING INSTITUTE AT KRISHNAGIRI, TAMILNADU.

DRAWING TITLE :
JOINERY DETAIL (DOORS)

SCHEMATIC DRAWING WORKING DRAWING
 TENDER DRAWING AS BUILT DRAWING

SCALE : N.T.S	DATE : 10/02/2026	REV NO:
DRAWN BY : ABIRAMI	CHECKED BY : M.S	00
JOB NO : 3045/25	DWG NO : ARC - TR - 08	

ARCHITECT :
NANDA & ASSOCIATES ARCHITECTS

NO.36, SARASWATHI ILLAM, JANAKIRAM COLONY MAIN RD. JANAKIRAM COLONY., ARUMBAKKAM., CHENNAI - 600 106. TELEPHONE:044-23637420, E-mail:nandaarchitects@gmail.com



NOTE: ALL DIMENSIONS ARE IN MM

COPYRIGHT:
 All rights reserved. This work is copyright and cannot be or copied in any form or by any means (graphic, electronic or reproduced mechanical, including photocopying) without the written permission of nanda & associates. Any licence, express or implied, to use the document for any purpose whatsoever is restricted to the terms of the agreement or implied agreement with nanda & associates

LEGEND :

■ 230MM , 115MM THK BRICK WORK

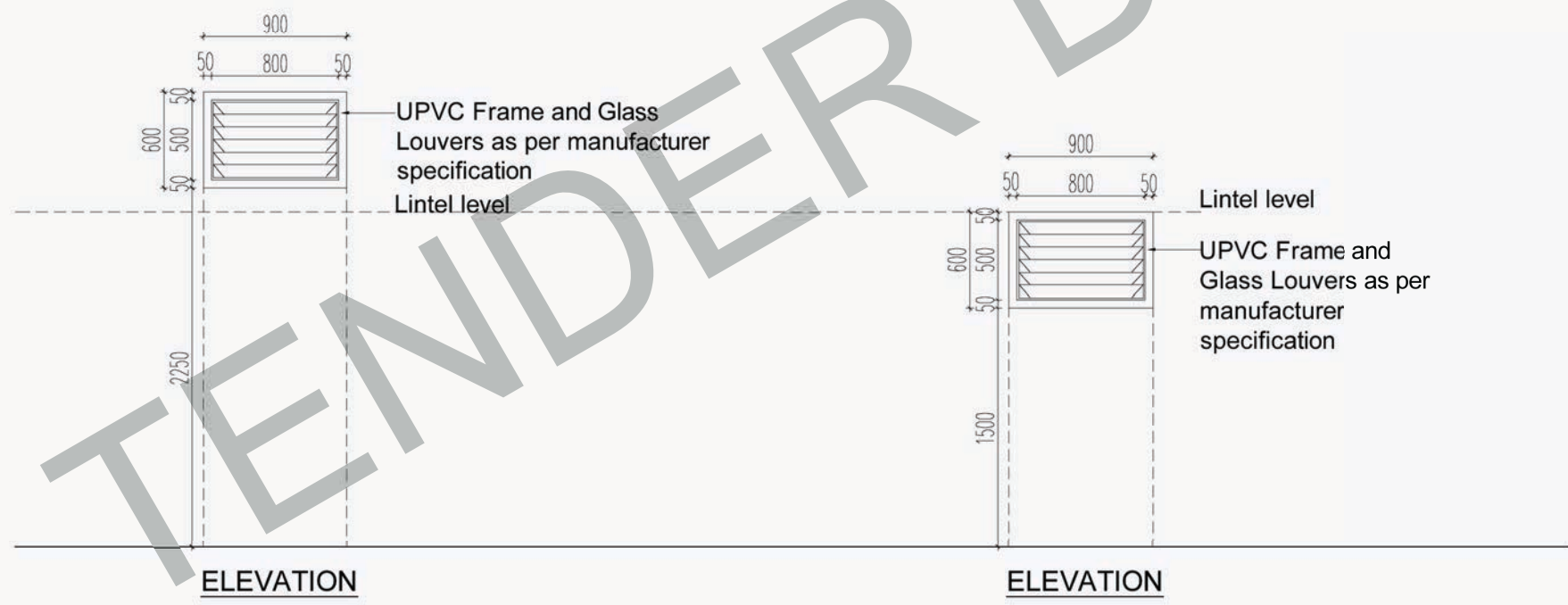
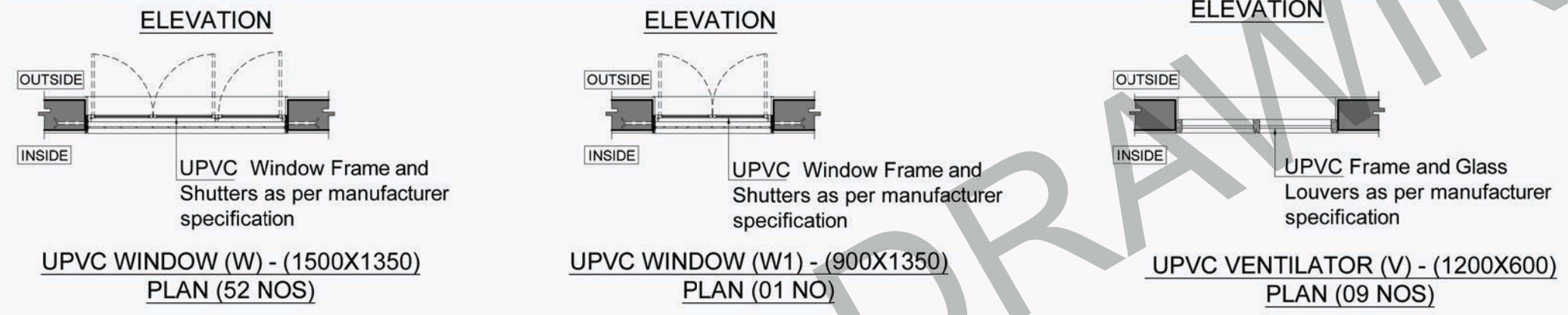
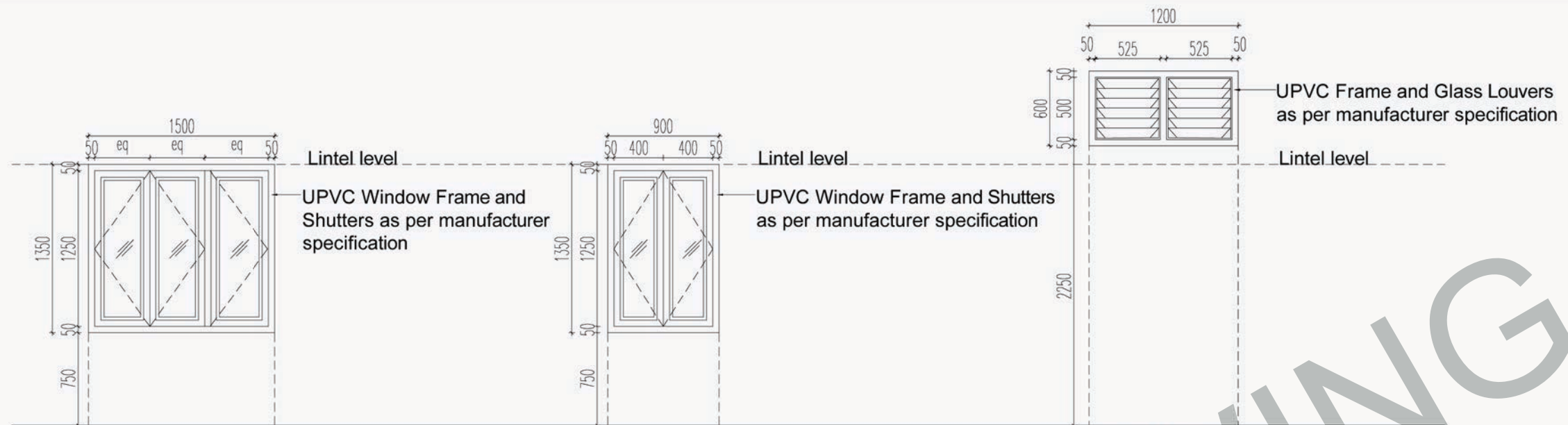
■ R.C.C COLUMN

NORTH POINT :



SCHEDULE OF JOINERY

S.NO.	TYPE	DESCRIPTION	SIZE
1	W	UPVC WINDOW	1500X1350
2	W1	UPVC WINDOW	900X1350
3	V	UPVC VENTILATOR	1200X600
4	V1	UPVC VENTILATOR	900X600
5	V1A	UPVC VENTILATOR	900X600



REV.	DESCRIPTION	DATE	BY	DRN.

CLIENT:
 INDIAN BANK

PROJECT:
 PROPOSED CONSTRUCTION OF INDIAN BANK'S RURAL SELF EMPLOYMENT TRAINING INSTITUTE AT KRISHNAGIRI, TAMILNADU.

DRAWING TITLE:
 JOINERY DETAIL (WINDOWS & VENTILATOR)

SCHEMATIC DRAWING WORKING DRAWING
 TENDER DRAWING AS BUILT DRAWING

SCALE : N.T.S	DATE : 10/02/2026	REV NO: 00
DRAWN BY : ABIRAMI	CHECKED BY : M.S	
JOB NO : 3045/25	DWG NO : ARC - TR - 09	

ARCHITECT :

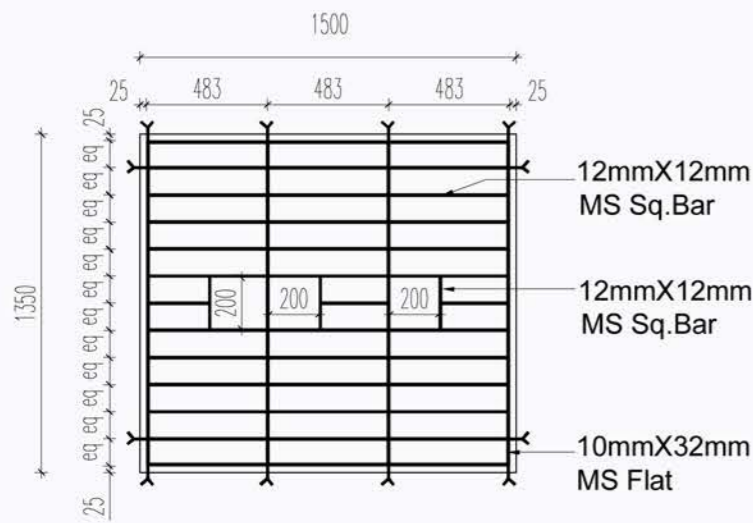


NANDA & ASSOCIATES ARCHITECTS

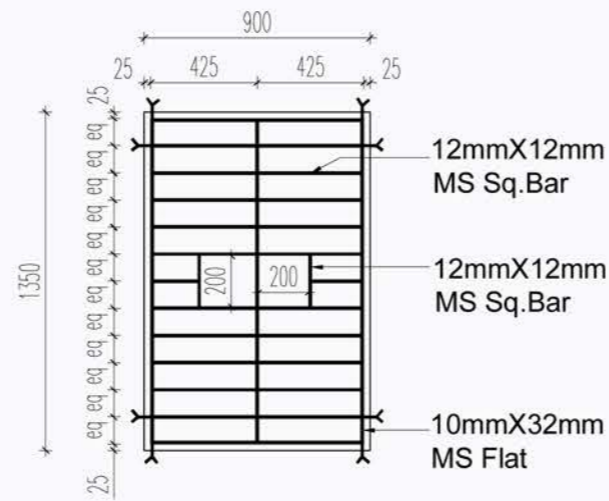
NO.36, SARASWATHI ILLAM, JANAKIRAM COLONY MAIN RD. JANAKIRAM COLONY., ARUMBAKKAM., CHENNAI - 600 106. TELEPHONE:044-23637420, E-mail:nandaarchitects@gmail.com



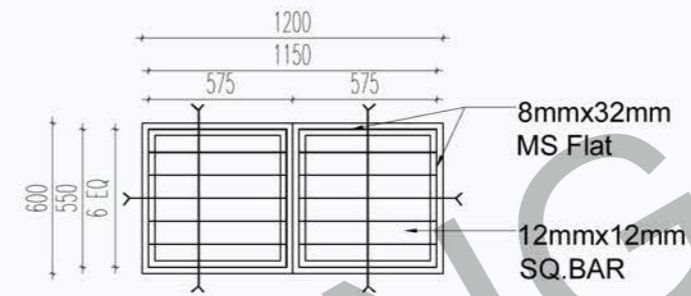
NOTE: ALL DIMENSIONS ARE IN MM



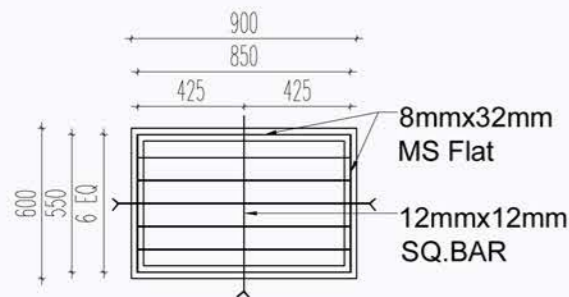
UPVC WINDOW - W
(1500X1350)



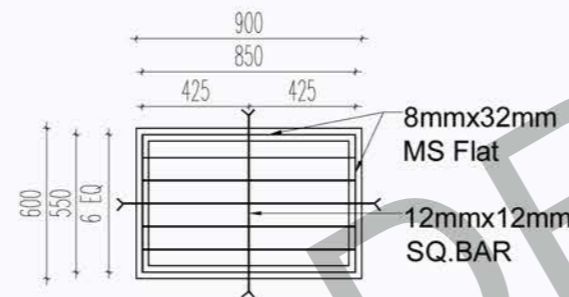
UPVC WINDOW - W1
(900X1350)



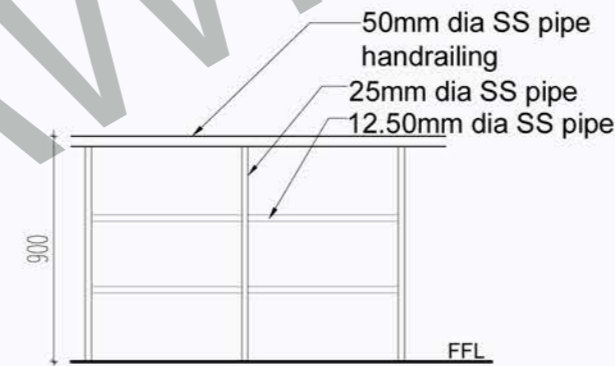
UPVC VENTILATOR - V
(1200X600)



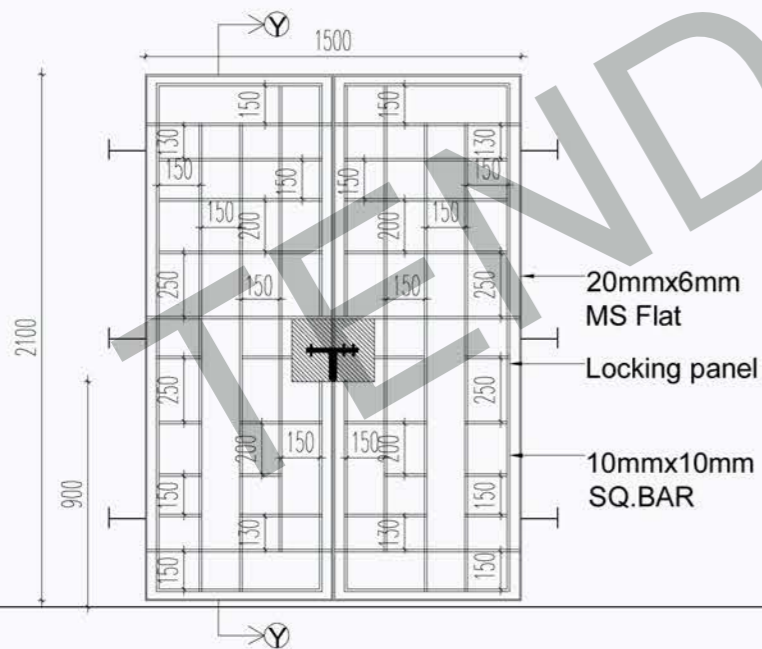
UPVC VENTILATOR - V1
(900X600)



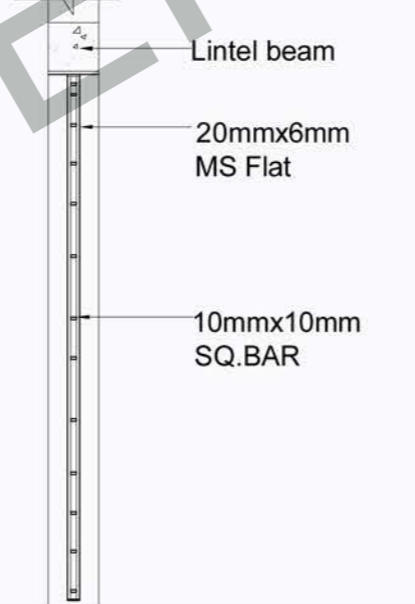
UPVC VENTILATOR - V1A
(900X600)



TYPICAL HANRAILING DETAIL
FOR RAMP, ENT. SEPTS, STAIRCASE.



ELEVATION
GRILL GATE - GG
(1500X2100)



SECTION AT YY

COPYRIGHT:
All rights reserved. This work is copyright and cannot be copied in any form or by any means (graphic, electronic or reproduced mechanical including photocopying) without the written permission of nanda & associates. Any licence, express or implied, to use the document for any purpose whatsoever is restricted to the terms of the agreement or implied agreement with nanda & associates.

LEGEND :	NORTH POINT :
230MM , 115MM THK BRICK WORK	
R.C.C COLUMN	

SCHEDULE OF JOINERY			
S.NO.	TYPE	DESCRIPTION	SIZE
1	GG	GRILL GATE	1500X2100
2	W	UPVC WINDOW	1500X1350
3	W1	UPVC WINDOW	900X1350
4	V	UPVC VENTILATOR	1200X600
5	V1	UPVC VENTILATOR	900X600
6	V1A	UPVC VENTILATOR	900X600

REV.	DESCRIPTION	DATE	BY	DRN.

CLIENT:
INDIAN BANK

PROJECT:
PROPOSED CONSTRUCTION OF INDIAN BANK'S RURAL SELF EMPLOYMENT TRAINING INSTITUTE AT KRISHNAGIRI, TAMILNADU.

DRAWING TITLE :
JOINERY DETAIL (GRILLS)

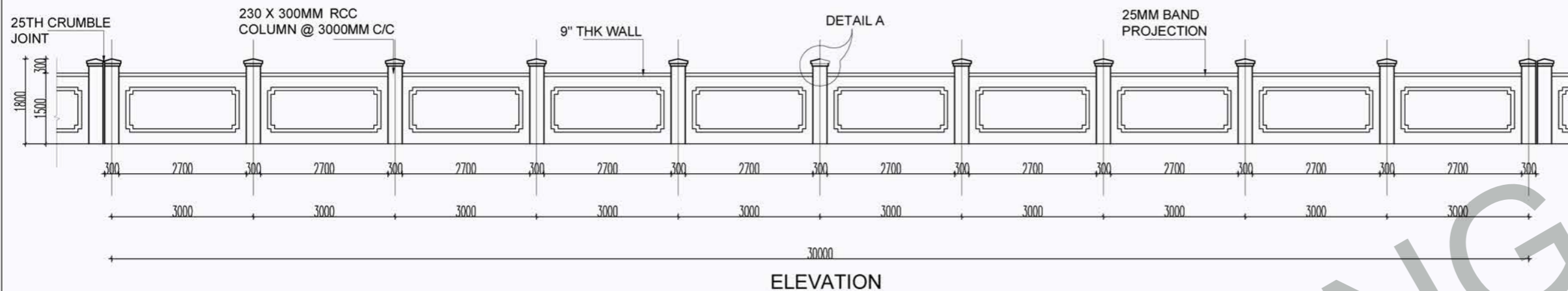
SCHEMATIC DRAWING WORKING DRAWING
 TENDER DRAWING AS BUILT DRAWING

SCALE : N.T.S DATE : 10/02/2026 REV NO: 00
DRAWN BY : ABIRAMI CHECKED BY : M.S
JOB NO : 3045/25 DWG NO : ARC - TR - 10

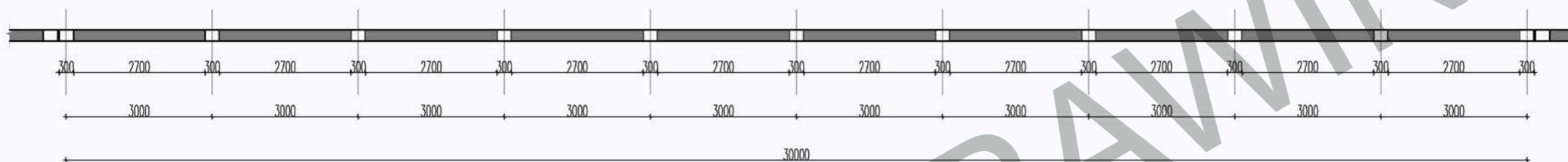
ARCHITECT :
NANDA & ASSOCIATES ARCHITECTS
NO.36, SARASWATHI ILLAM, JANAKIRAM COLONY MAIN RD. JANAKIRAM COLONY., ARUMBAKKAM., CHENNAI - 600 106. TELEPHONE:044-23637420,E-mail:nandaarchitects@gmail.com



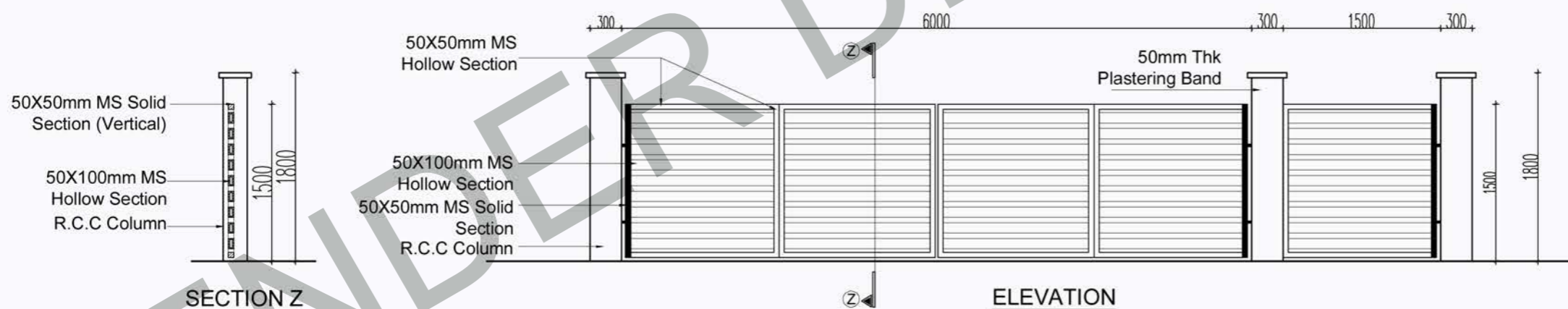
NOTE: ALL DIMENSIONS ARE IN MM



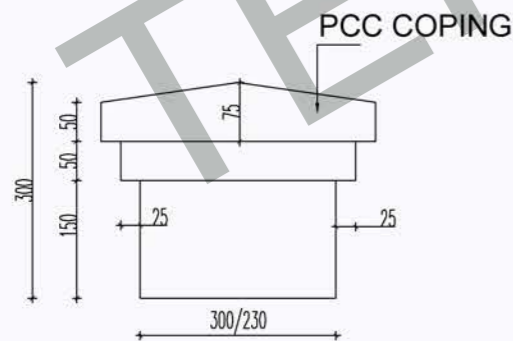
ELEVATION



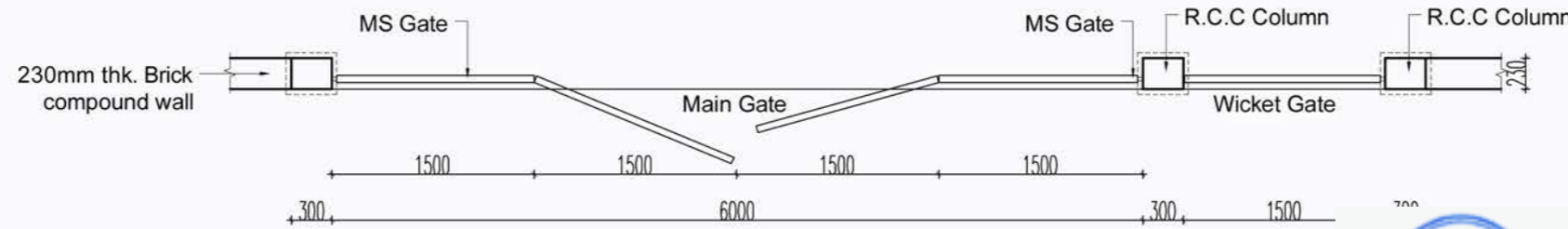
PLAN



ELEVATION



DETAIL A



GATE PLAN

FRONT GATE WITH COMPOUND BRICK MASONRY WALL DETAIL

COPYRIGHT:
All rights reserved. This work is copyright and cannot be or copied in any form or by any means (graphic, electronic or reproduced mechanical including photocopying) without the written permission of nanda & associates. Any licence, express or implied, to use the document for any purpose whatsoever is restricted to the terms of the agreement or implied agreement with nanda & associates

LEGEND :

- 230MM , 115MM THK BRICK WORK
- R.C.C COLUMN

NORTH POINT :

REV.	DESCRIPTION	DATE	BY	DRN.

CLIENT:
INDIAN BANK

PROJECT:
PROPOSED CONSTRUCTION OF INDIAN BANK'S RURAL SELF EMPLOYMENT TRAINING INSTITUTE AT KRISHNAGIRI, TAMILNADU.

DRAWING TITLE:
COMPOUND WALL & GATE DETAILS

- SCHEMATIC DRAWING
- WORKING DRAWING
- TENDER DRAWING
- AS BUILT DRAWING

SCALE : N.T.S	DATE : 10/02/2026	REV NO: 00
DRAWN BY : ABIRAMI	CHECKED BY : M.S	
JOB NO : 3045/25	DWG NO : ARC - TR - 11	

ARCHITECT :

NANDA & ASSOCIATES
ARCHITECTS

NO.36, SARASWATHI ILLAM, JANAKIRAM COLONY MAIN RD.
JANAKIRAM COLONY., ARUMBAKKAM., CHENNAI - 600 106.
TELEPHONE:044-23637420,E-mail:nandaarchitects@gmail.com

NOTE: ALL DIMENSIONS ARE IN MM

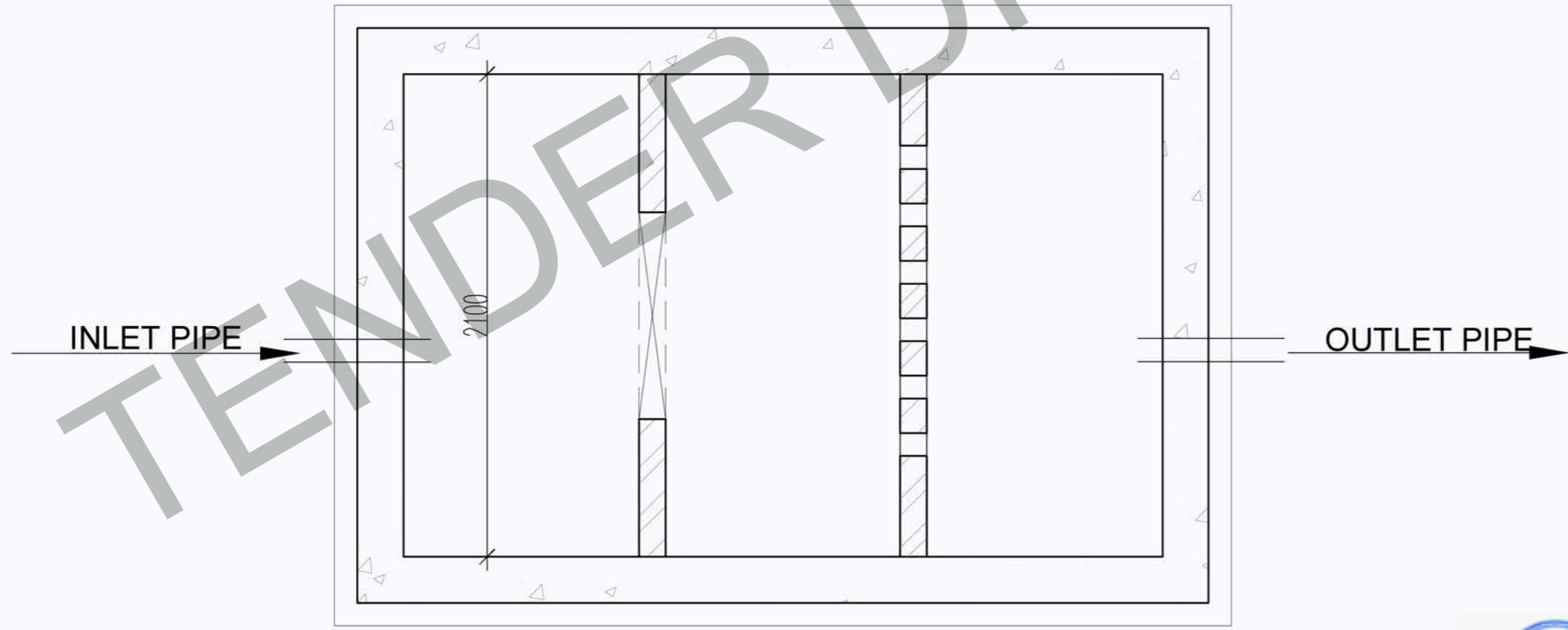
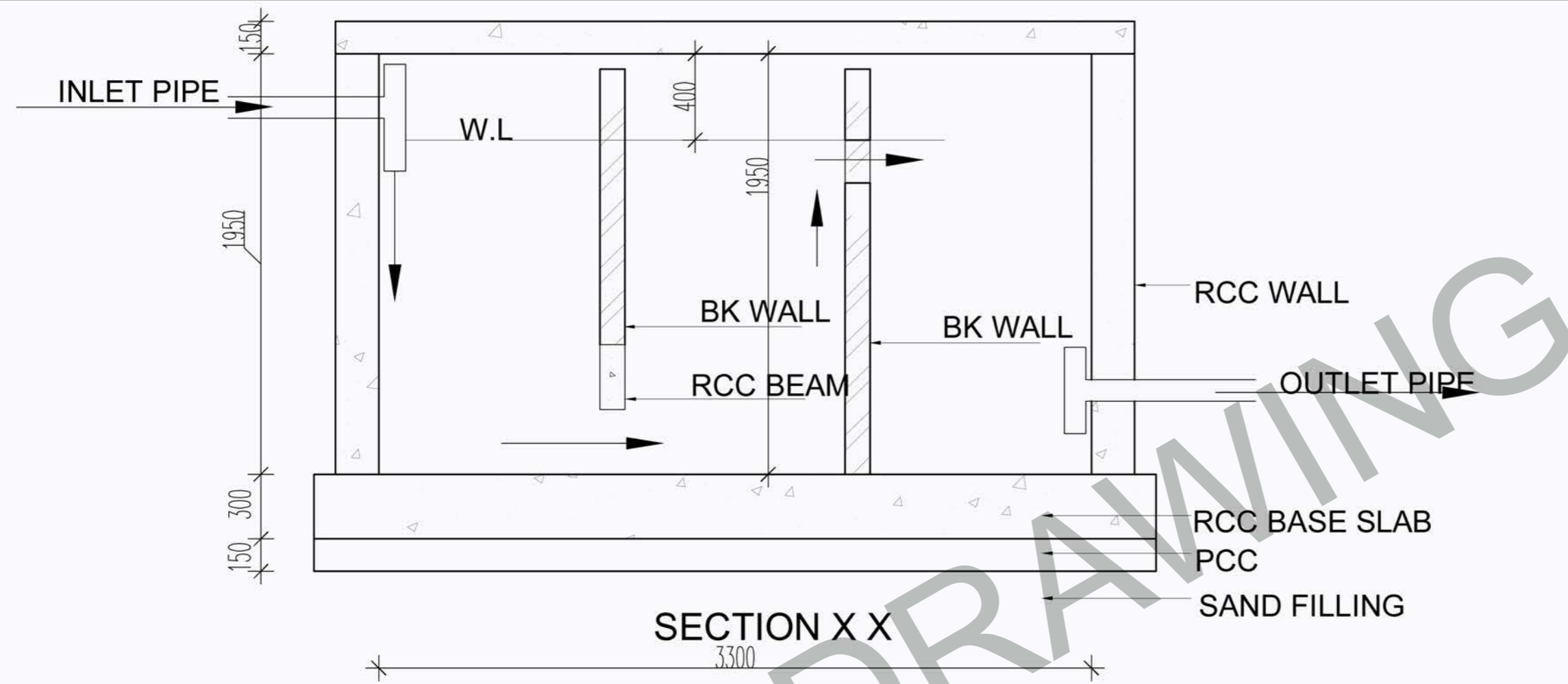


COPYRIGHT:
 All rights reserved. This work is copyright and cannot be copied in any form or by any means (graphic, electronic or reproduced mechanical including photocopying) without the written permission of nanda & associates. Any licence, express or implied, to use the document for any purpose whatsoever is restricted to the terms of the agreement or implied agreement with nanda & associates.

LEGEND :

-  230MM , 115MM THK BRICK WORK
-  R.C.C COLUMN

NORTH POINT :

PLAN OF SEPTIC TANK
 3300 x 2100 x 1950
 (13,000 LITERS CAPACITY)

REV.	DESCRIPTION	DATE	BY	DRN.

CLIENT:
 INDIAN BANK

PROJECT:
 PROPOSED CONSTRUCTION OF INDIAN BANK'S RURAL SELF EMPLOYMENT TRAINING INSTITUTE AT KRISHNAGIRI, TAMILNADU.

DRAWING TITLE :
 SEPTIC TANK DETAILS

SCHEMATIC DRAWING WORKING DRAWING
 TENDER DRAWING AS BUILT DRAWING

SCALE : N.T.S	DATE : 10/02/2026	REV NO: 00
DRAWN BY : ABIRAMI	CHECKED BY : M.S	
JOB NO : 3045/25	DWG NO : ARC - TR - 12	

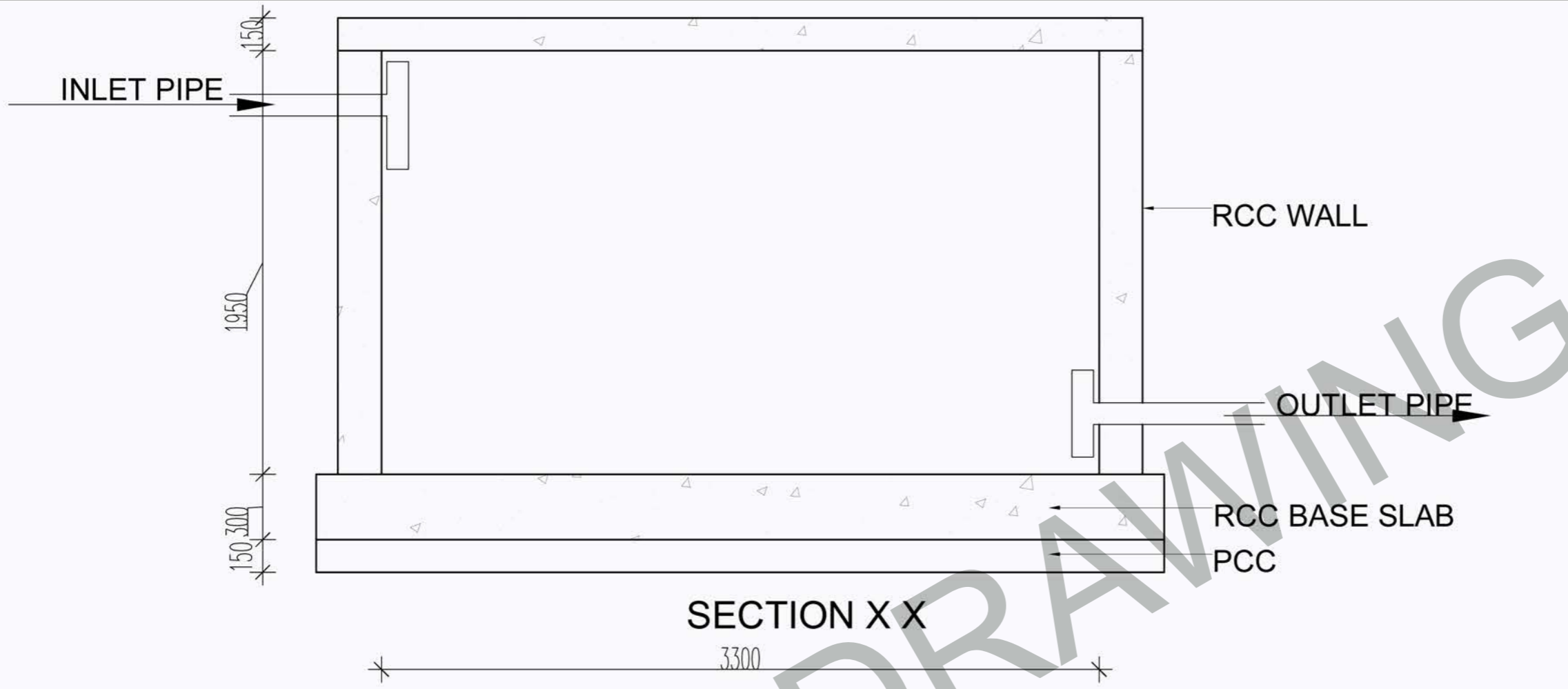
ARCHITECT :

 **NANDA & ASSOCIATES**
 ARCHITECTS

NO.36, SARASWATHI ILLAM, JANAKIRAM COLONY MAIN RD.
 JANAKIRAM COLONY., ARUMBAKKAM., CHENNAI - 600 106.
 TELEPHONE:044-23637420,E-mail:nandaarchitects@gmail.com



NOTE: ALL DIMENSIONS ARE IN MM



PLAN OF SUMP
3300 x 2100 x 1950
(13,000 LITERS CAPACITY)

COPYRIGHT:
 All rights reserved. This work is copyright and cannot be or copied in any form or by any means (graphic, electronic or reproduced mechanical including photocopying) without the written permission of nanda & associates. Any licence, express or implied, to use the document for any purpose whatsoever is restricted to the terms of the agreement or implied agreement with nanda & associates

LEGEND :	NORTH POINT :
230MM , 115MM THK BRICK WORK	N
R.C.C COLUMN	

REV.	DESCRIPTION	DATE	BY	DRN.

CLIENT:
 INDIAN BANK

PROJECT:
 PROPOSED CONSTRUCTION OF INDIAN BANK'S RURAL SELF EMPLOYMENT TRAINING INSTITUTE AT KRISHNAGIRI, TAMILNADU.

DRAWING TITLE :
 SUMP DETAILS

SCHEMATIC DRAWING WORKING DRAWING
 TENDER DRAWING AS BUILT DRAWING

SCALE : N.T.S	DATE : 10/02/2026	REV NO: 00
DRAWN BY : ABIRAMI	CHECKED BY : M.S	
JOB NO : 3045/25	DWG NO : ARC - TR - 13	

ARCHITECT :

NANDA & ASSOCIATES
 ARCHITECTS

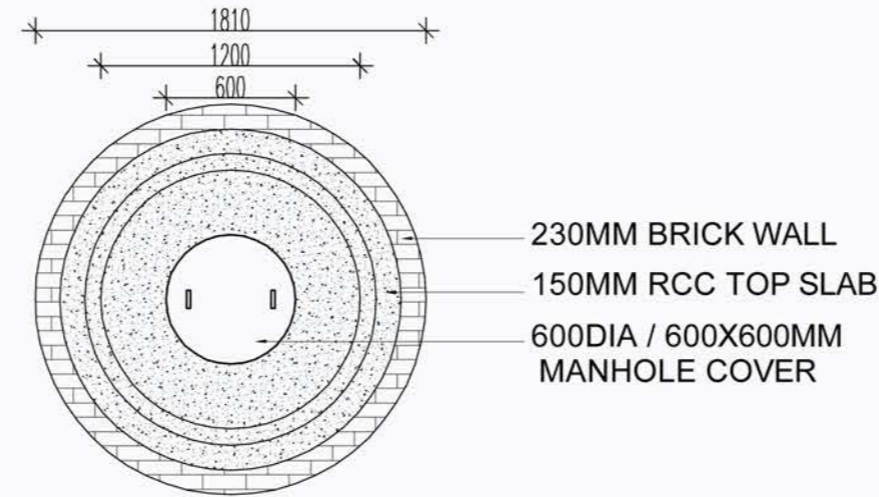
NO.36, SARASWATHI ILLAM, JANAKIRAM COLONY MAIN RD.
 JANAKIRAM COLONY., ARUMBAKKAM., CHENNAI - 600 106.
 TELEPHONE:044-23637420,E-mail:nandaarchitects@gmail.com



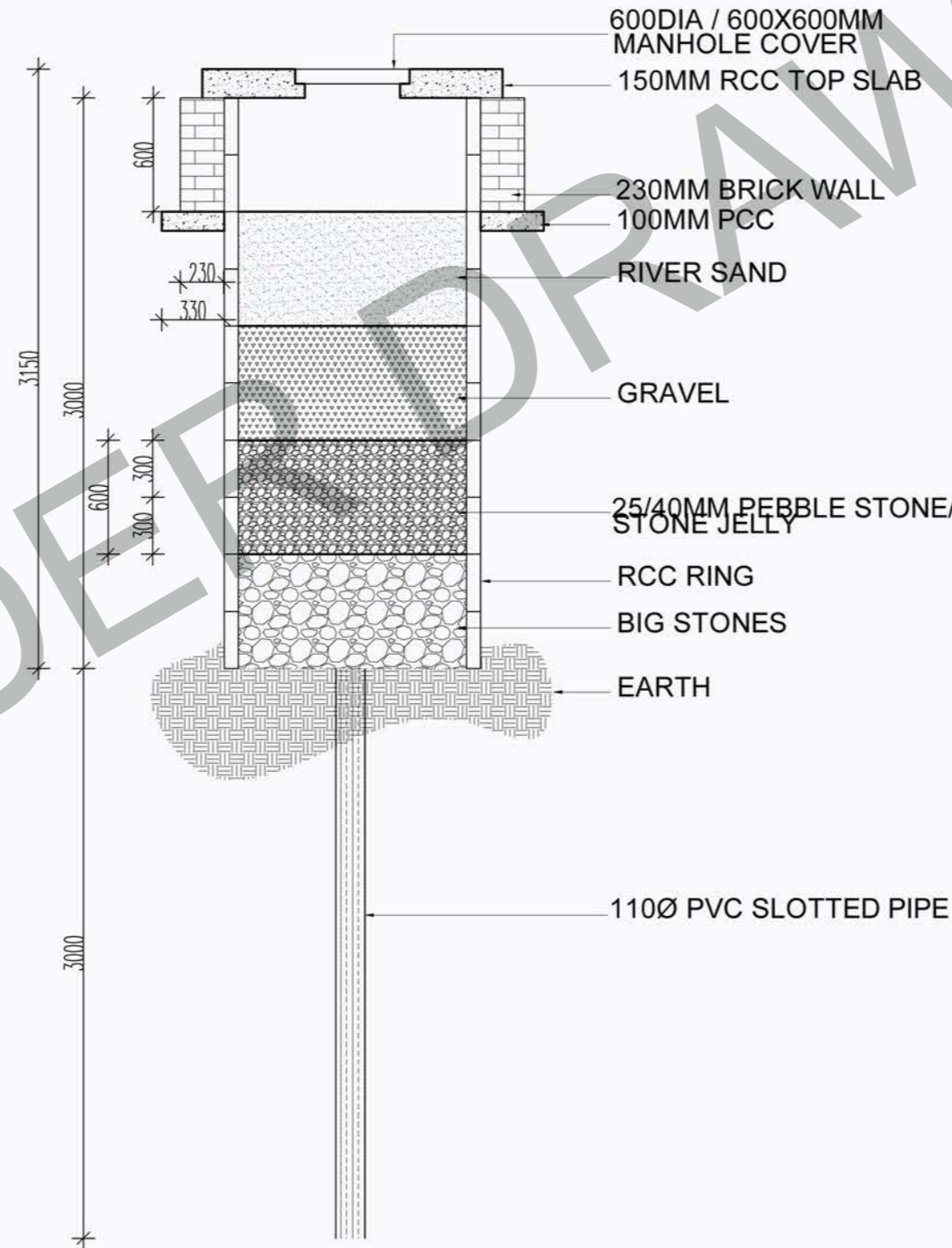
NOTE: ALL DIMENSIONS ARE IN MM

COPYRIGHT:
 All rights reserved. This work is copyright and cannot be or copied in any form or by any means (graphic, electronic or reproduced mechanical including photocopying) without the written permission of nanda & associates. Any licence, express or implied, to use the document for any purpose whatsoever is restricted to the terms of the agreement or implied agreement with nanda & associates

LEGEND :	NORTH POINT :
 230MM , 115MM THK BRICK WORK	 N
 R.C.C COLUMN	



PLAN



SECTION

REV.	DESCRIPTION	DATE	BY	DRN.

CLIENT:
INDIAN BANK

PROJECT:
PROPOSED CONSTRUCTION OF INDIAN BANK'S RURAL SELF EMPLOYMENT TRAINING INSTITUTE AT KRISHNAGIRI, TAMILNADU.

DRAWING TITLE:
SOAK PIT DETAILS

SCHEMATIC DRAWING WORKING DRAWING
 TENDER DRAWING AS BUILT DRAWING

SCALE : N.T.S	DATE : 10/02/2026	REV NO: 00
DRAWN BY : ABIRAMI	CHECKED BY : M.S	
JOB NO : 3045/25	DWG NO : ARC - TR - 14	

ARCHITECT:



NANDA & ASSOCIATES
 ARCHITECTS

NO.36, SARASWATHI ILLAM, JANAKIRAM COLONY MAIN RD.
 JANAKIRAM COLONY., ARUMBAKKAM., CHENNAI - 600 106.
 TELEPHONE:044-23637420,E-mail:nandaarchitects@gmail.com



NOTE: ALL DIMENSIONS ARE IN MM