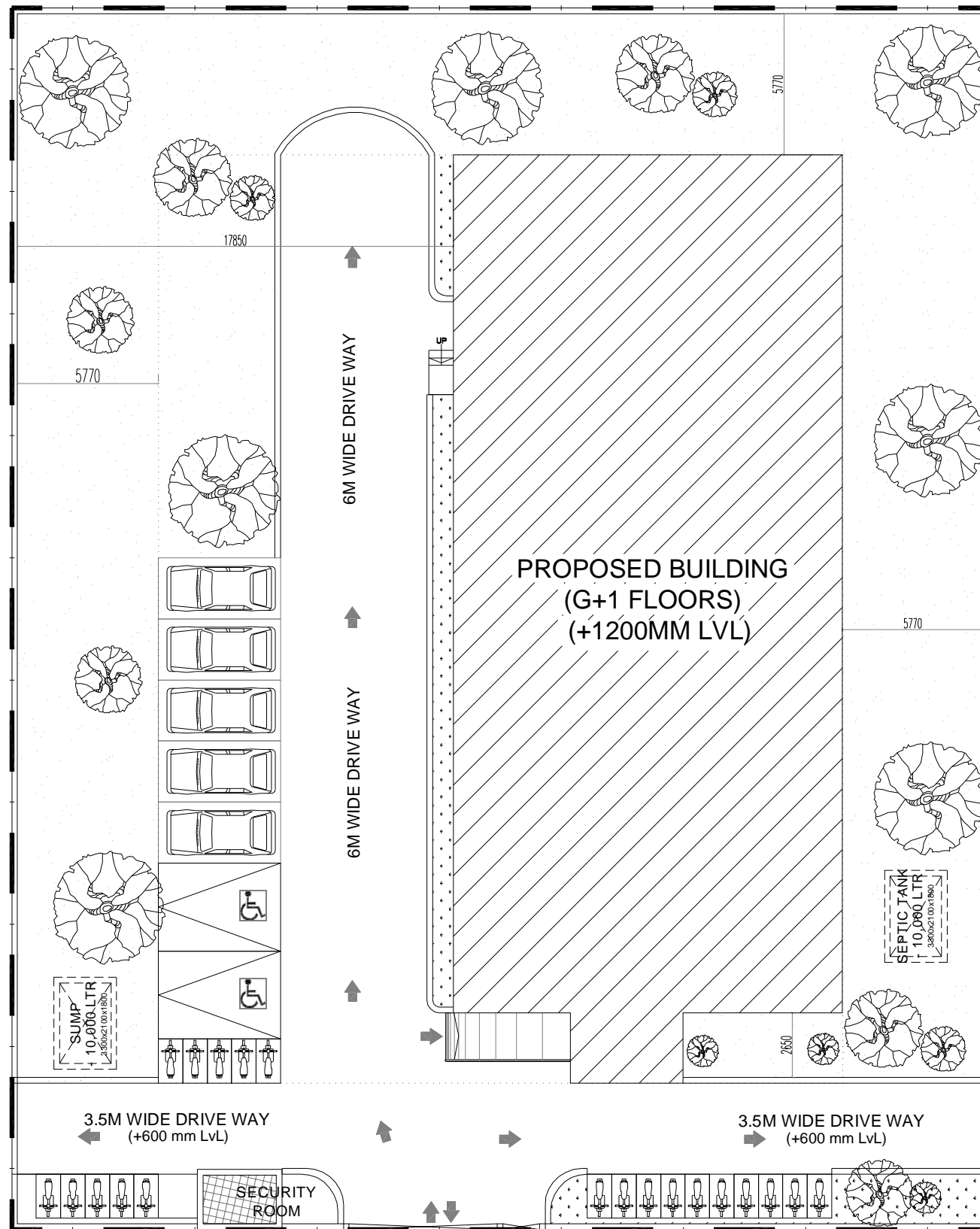


(40000MM)

(50000MM)

(50000MM)



COPYRIGHT:
All rights reserved. This work is copyright and cannot be or copied in any form or by any means (graphic, electronic or reproduced mechanical, including photocopying) without the written permission of nanda & associates. Any licence, express or implied, to use the document for any purpose whatsoever is restricted to the terms of the agreement or implied agreement with nanda & associates

LEGEND:-

- 230MM, 115MM THK BRICK WORK
- R. C. C COLUMN

AREA STATEMENT

PLOT AREA AS PER FMB - 2000.00 SQ.M

S.NO.	DESCRIPTION	AREA IN SQ.M	AREA IN SQ.FT
1	GROUND FLOOR	572.20	6159.15
2	FIRST FLOOR	502.20	5406.00
3	SHR	45.15	486.00
TOTAL AREA		1,119.55	12,051.15

CLIENT:
INDIAN BANK

PROJECT:
PROPOSED CONSTRUCTION OF INDIAN BANK'S RURAL SELF EMPLOYMENT TRAINING INSTITUTE AT THIRUVANAMALAI, TAMILNADU.

DRAWING TITLE:
SITE PLAN

- SCHEMATIC DRAWING
- WORKING DRAWING
- TENDER DRAWING
- AS BUILT DRAWING

SCALE : N.T.S	DATE : 07/02/2026	REV NO: 00
DRAWN BY : Dhina	CHECKED BY : Muni	
JOB NO : 2689/21	DWG NO : ARC - TR - 01	

ARCHITECT :
NANDA & ASSOCIATES ARCHITECTS
NO.36, SARASWATHI ILLAM, JANAKIRAM COLONY MAIN RD. JANAKIRAM COLONY., ARUMBAKKAM., CHENNAI - 600 106. TELEPHONE:044-23637420,E-mail:nandaarchitects@gmail.com



NOTE: ALL DIMENSIONS ARE IN MM

COPYRIGHT:
All rights reserved. This work is copyright and cannot be or copied in any form or by any means (graphic, electronic or reproduced mechanical, including photocopying) without the written permission of nanda & associates. Any licence, express or implied, to use the document for any purpose whatsoever is restricted to the terms of the agreement or implied agreement with nanda & associates

LEGEND:-

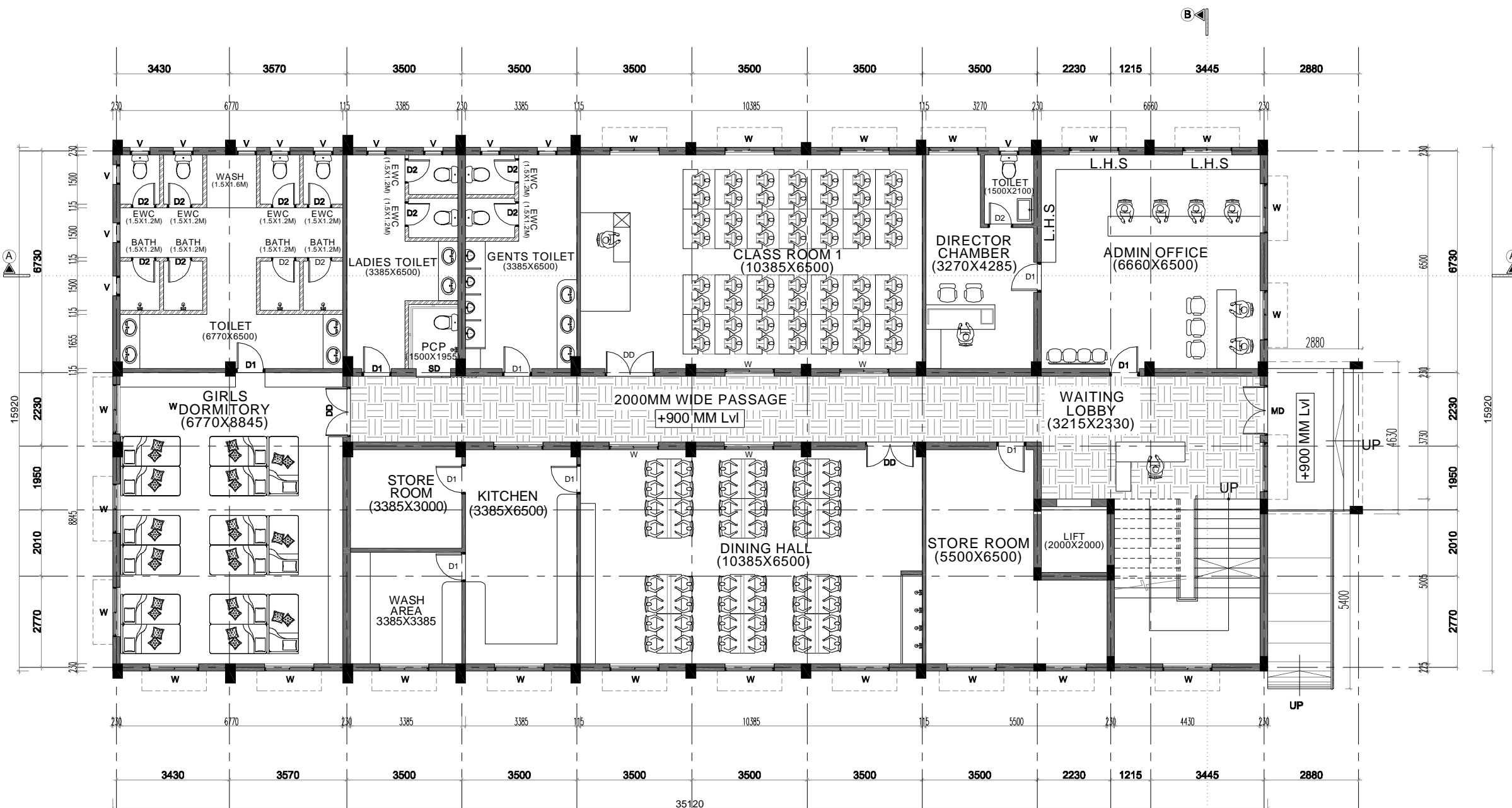
- 230MM, 115MM THK BRICK WORK
- R.C.C COLUMN



AREA STATEMENT

PLOT AREA AS PER FMB - 2000.00 SQ.M

S.NO.	DESCRIPTION	AREA IN SQ.M	AREA IN SQ.FT
1	GROUND FLOOR	572.20	6159.15
2	FIRST FLOOR	502.20	5406.00
3	SHR	45.15	486.00
TOTAL AREA		1,119.55	12,051.15



GROUND FLOOR PLAN

CLIENT:

INDIAN BANK

PROJECT:

PROPOSED CONSTRUCTION OF INDIAN BANK'S RURAL SELF EMPLOYMENT TRAINING INSTITUTE AT THIRUVANAMALAI, TAMILNADU.

DRAWING TITLE:

GROUND FLOOR PLAN

- SCHEMATIC DRAWING
- WORKING DRAWING
- TENDER DRAWING
- AS BUILT DRAWING

SCALE : N.T.S	DATE : 07/02/2026	REV NO: 00
DRAWN BY : Dhina	CHECKED BY : Muni	
JOB NO : 2689/21	DWG NO : ARC - TR - 02	

ARCHITECT:





NANDA & ASSOCIATES
ARCHITECTS
NO.36, SARASWATHI ILLAM, JANAKIRAM COLONY MAIN RD.
JANAKIRAM COLONY., ARUMBAKKAM., CHENNAI - 600 106.
TELEPHONE:044-23637420,E-mail:nandaarchitects@gmail.com

NOTE: ALL DIMENSIONS ARE IN MM



COPYRIGHT:
All rights reserved. This work is copyright and cannot be or copied in any form or by any means (graphic, electronic or reproduced mechanical, including photocopying) without the written permission of nanda & associates. Any licence, express or implied, to use the document for any purpose whatsoever is restricted to the terms of the agreement or implied agreement with nanda & associates

LEGEND:-

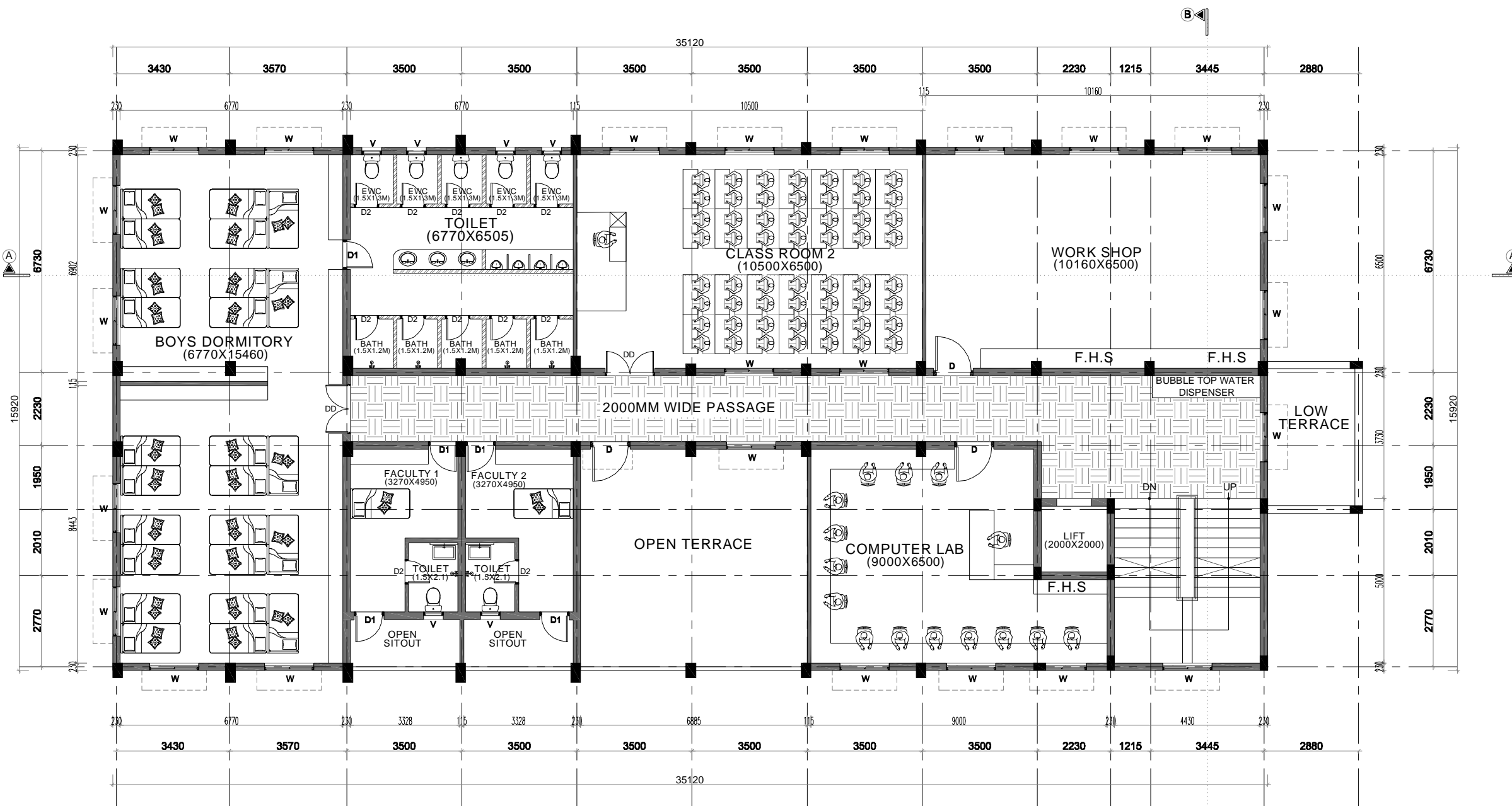
-  230MM, 115MM THK BRICK WORK
-  R. C. C COLUMN



AREA STATEMENT

PLOT AREA AS PER FMB - 2000.00 SQ.M

S.NO.	DESCRIPTION	AREA IN SQ.M	AREA IN SQ.FT
1	GROUND FLOOR	572.20	6159.15
2	FIRST FLOOR	502.20	5406.00
3	SHR	45.15	486.00
TOTAL AREA		1,119.55	12,051.15



FIRST FLOOR PLAN

CLIENT:

INDIAN BANK

PROJECT :

PROPOSED CONSTRUCTION OF INDIAN BANK'S RURAL SELF EMPLOYMENT TRAINING INSTITUTE AT THIRUVANAMALAI, TAMILNADU.

DRAWING TITLE :

FIRST FLOOR PLAN

- SCHEMATIC DRAWING
- WORKING DRAWING
- TENDER DRAWING
- AS BUILT DRAWING

SCALE : N.T.S	DATE : 07/02/2026	REV NO: 00
DRAWN BY : Dhina	CHECKED BY : Muni	
JOB NO : 2689/21	DWG NO : ARC - TR - 03	

ARCHITECT :



NO.36, SARASWATHI ILLAM, JANAKIRAM COLONY MAIN RD. JANAKIRAM COLONY., ARUMBAKKAM., CHENNAI - 600 106. TELEPHONE:044-23637420,E-mail:nandaarchitects@gmail.com

NOTE: ALL DIMENSIONS ARE IN MM



COPYRIGHT:
 All rights reserved. This work is copyright and cannot be or copied in any form or by any means (graphic, electronic or reproduced mechanical, including photocopying) without the written permission of nanda & associates. Any licence, express or implied, to use the document for any purpose whatsoever is restricted to the terms of the agreement or implied agreement with nanda & associates

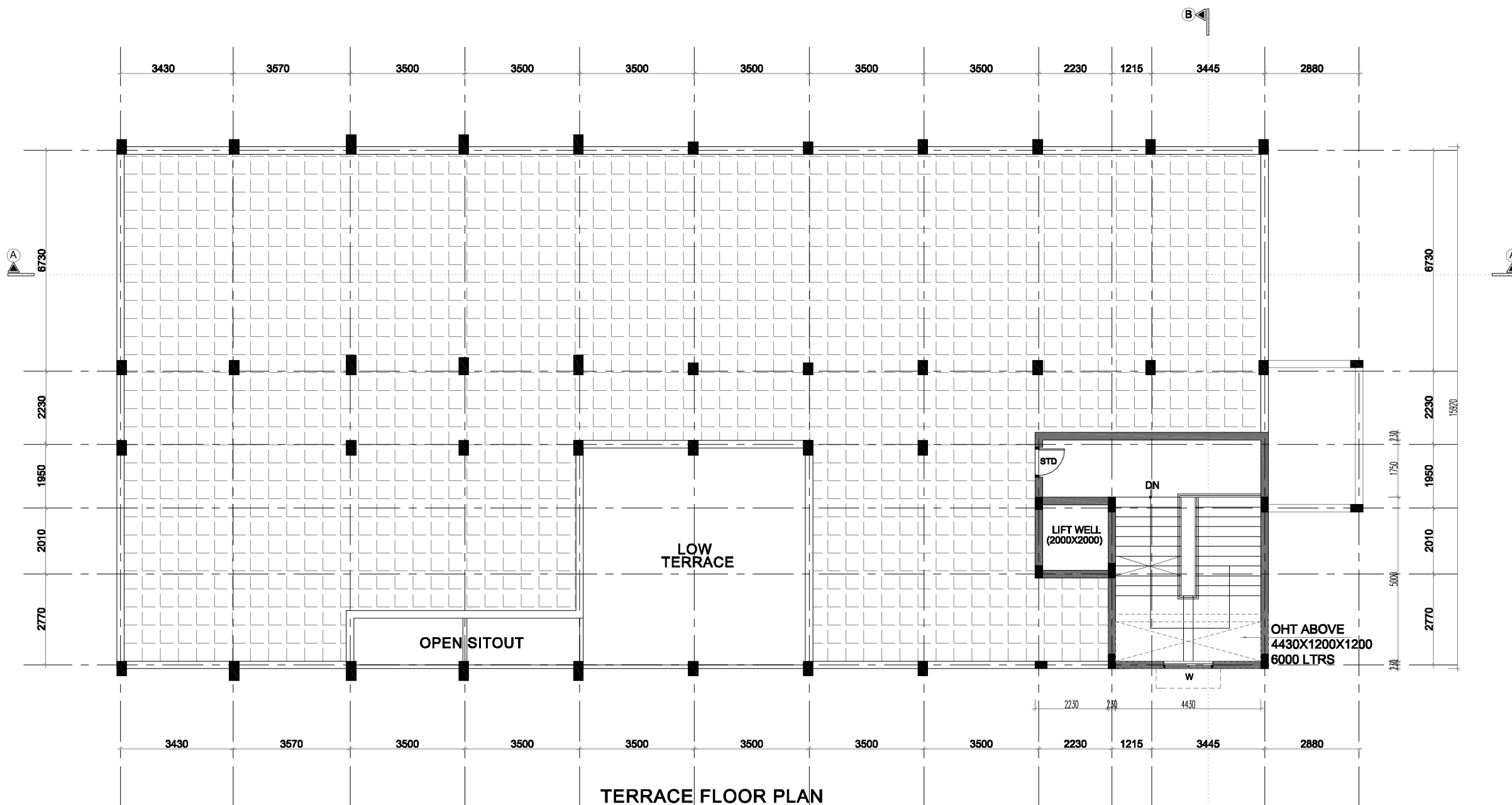
LEGEND:-
 230MM, 115MM THK BRICK WORK
 R.C.C COLUMN



AREA STATEMENT

PLOT AREA AS PER FMB - 2000.00 SQ.M

S.NO.	DESCRIPTION	AREA IN SQ.M	AREA IN SQ.FT
1	GROUND FLOOR	572.20	6159.15
2	FIRST FLOOR	502.20	5406.00
3	SHR	45.15	486.00
TOTAL AREA		1,119.55	12,051.15



TERRACE FLOOR PLAN

CLIENT:

INDIAN BANK

PROJECT:

PROPOSED CONSTRUCTION OF INDIAN BANK'S RURAL SELF EMPLOYMENT TRAINING INSTITUTE AT THIRUVANAMALAI, TAMILNADU.

DRAWING TITLE:

TERRACE FLOOR PLAN

- SCHEMATIC DRAWING WORKING DRAWING
 TENDER DRAWING AS BUILT DRAWING

SCALE : N.T.S DATE : 07/02/2026 REV NO: 00
 DRAWN BY : Dhina CHECKED BY : Muni
 JOB NO : 2689/21 DWG NO : ARC - TR - 04

ARCHITECT:

N&A NANDA & ASSOCIATES ARCHITECTS

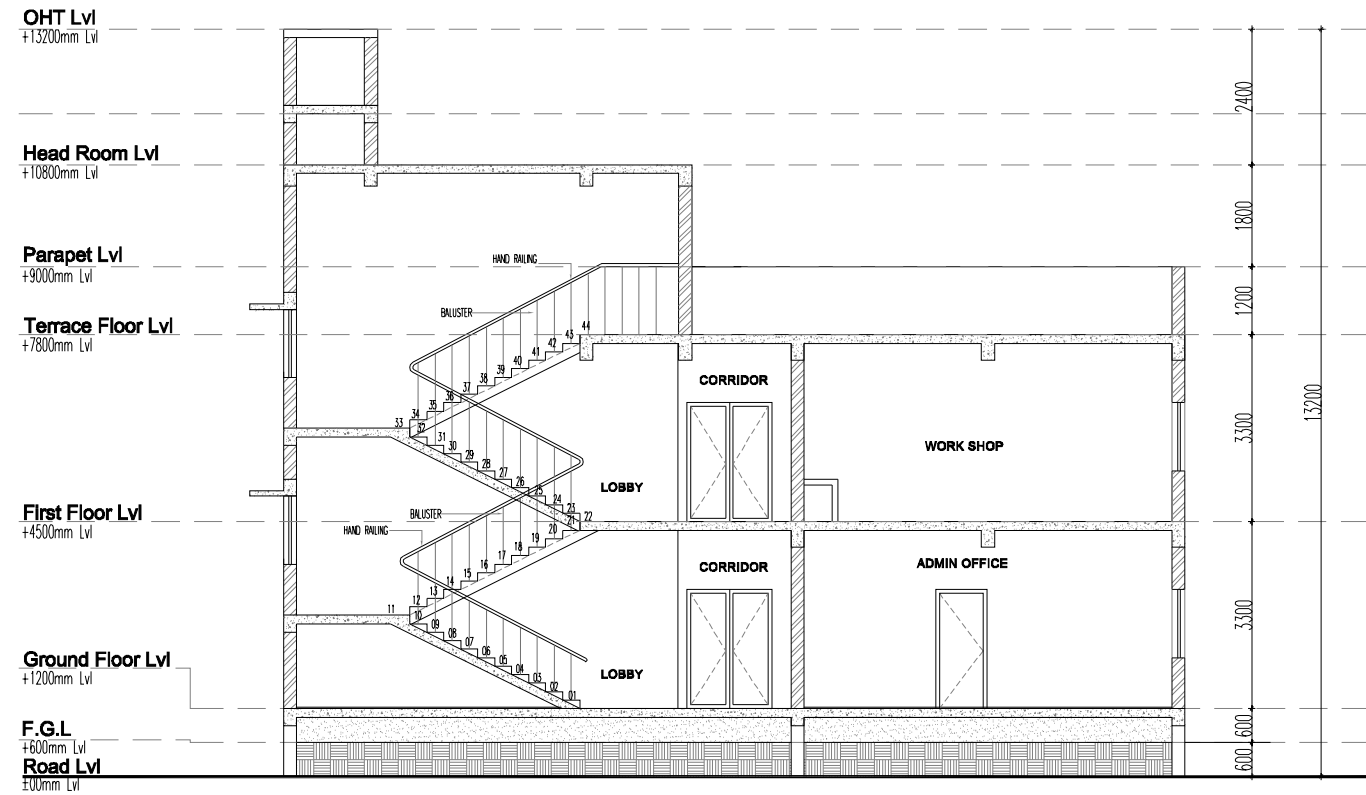
NO.36, SARASWATHI ILLAM, JANAKIRAM COLONY MAIN RD. JANAKIRAM COLONY., ARUMBAKKAM., CHENNAI - 600 106. TELEPHONE:044-23637420,E-mail:nandaarchitects@gmail.com

NOTE: ALL DIMENSIONS ARE IN MM

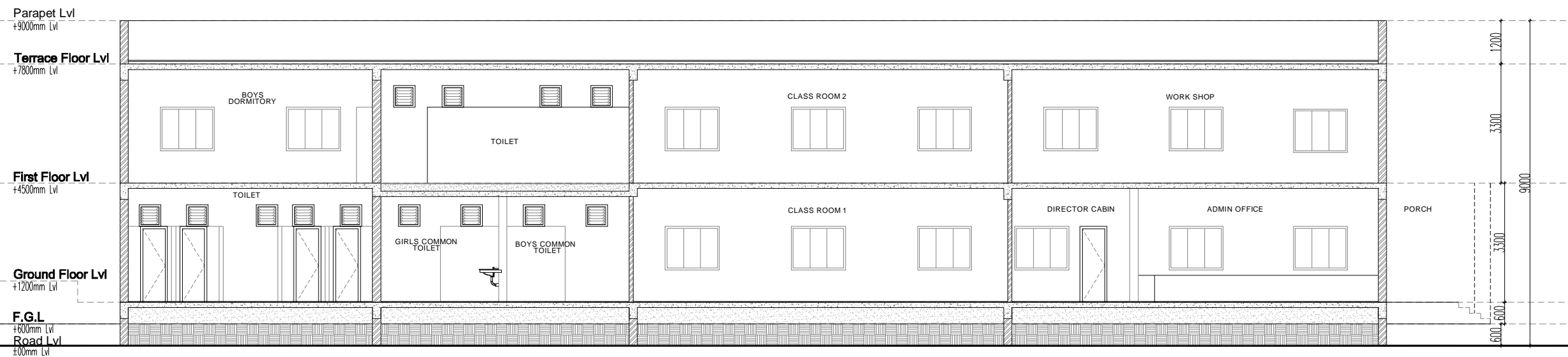


COPYRIGHT:
 All rights reserved. This work is copyright and cannot be or copied in any form or by any means (graphic, electronic or reproduced mechanical, including photocopying) without the written permission of nanda & associates. Any licence, express or implied, to use the document for any purpose whatsoever is restricted to the terms of the agreement or implied agreement with nanda & associates

LEGEND:-
 230MM, 115MM THK BRICK WORK
 R. C. C COLUMN



SECTION B-B



SECTION A-A

CLIENT:
 INDIAN BANK

PROJECT:
 PROPOSED CONSTRUCTION OF INDIAN BANK'S RURAL SELF EMPLOYMENT TRAINING INSTITUTE AT THIRUVANAMALAI, TAMILNADU.

DRAWING TITLE:
 SECTION

SCHEMATIC DRAWING WORKING DRAWING
 TENDER DRAWING AS BUILT DRAWING

SCALE : N.T.S	DATE : 07/02/2026	REV NO: 00
DRAWN BY : Dhina	CHECKED BY : Muni	
JOB NO : 2689/21	DWG NO : ARC - TR - 05	

ARCHITECT :
N&A NANDA & ASSOCIATES ARCHITECTS
 NO.36, SARASWATHI ILLAM, JANAKIRAM COLONY MAIN RD. JANAKIRAM COLONY., ARUMBAKKAM., CHENNAI - 600 106. TELEPHONE:044-23637420,E-mail:nandaarchitects@gmail.com



NOTE: ALL DIMENSIONS ARE IN MM

COPYRIGHT:
 All rights reserved, this work is copyright and cannot be or copied in any form or by any means (graphic, electronic or reproduced mechanical,including photocopying) without the written permission of nanda & associates.Any licence,express or implied,to use the document for any purpose whatsoever is restricted to the terms of the agreement or implied agreement with nanda & associates

LEGEND:-
 230MM ,115MM THK BRICK WORK
 R. C. C COLUMN



FRONT ELEVATION

CLIENT:
 INDIAN BANK

PROJECT :
 PROPOSED CONSTRUCTION OF INDIAN BANK'S RURAL SELF EMPLOYMENT TRAINING INSTITUTE AT THIRUVANAMALAI ,TAMILNADU.

DRAWING TITLE :
 ELEVATION

SCHEMATIC DRAWING WORKING DRAWING
 TENDER DRAWING AS BUILT DRAWING

SCALE : N.T.S	DATE : 07/02/2026	REV NO:
DRAWN BY : Dhina	CHECKED BY : Muni	00
JOB NO : 2689/21	DWG NO : ARC - TR - 06	

ARCHITECT :

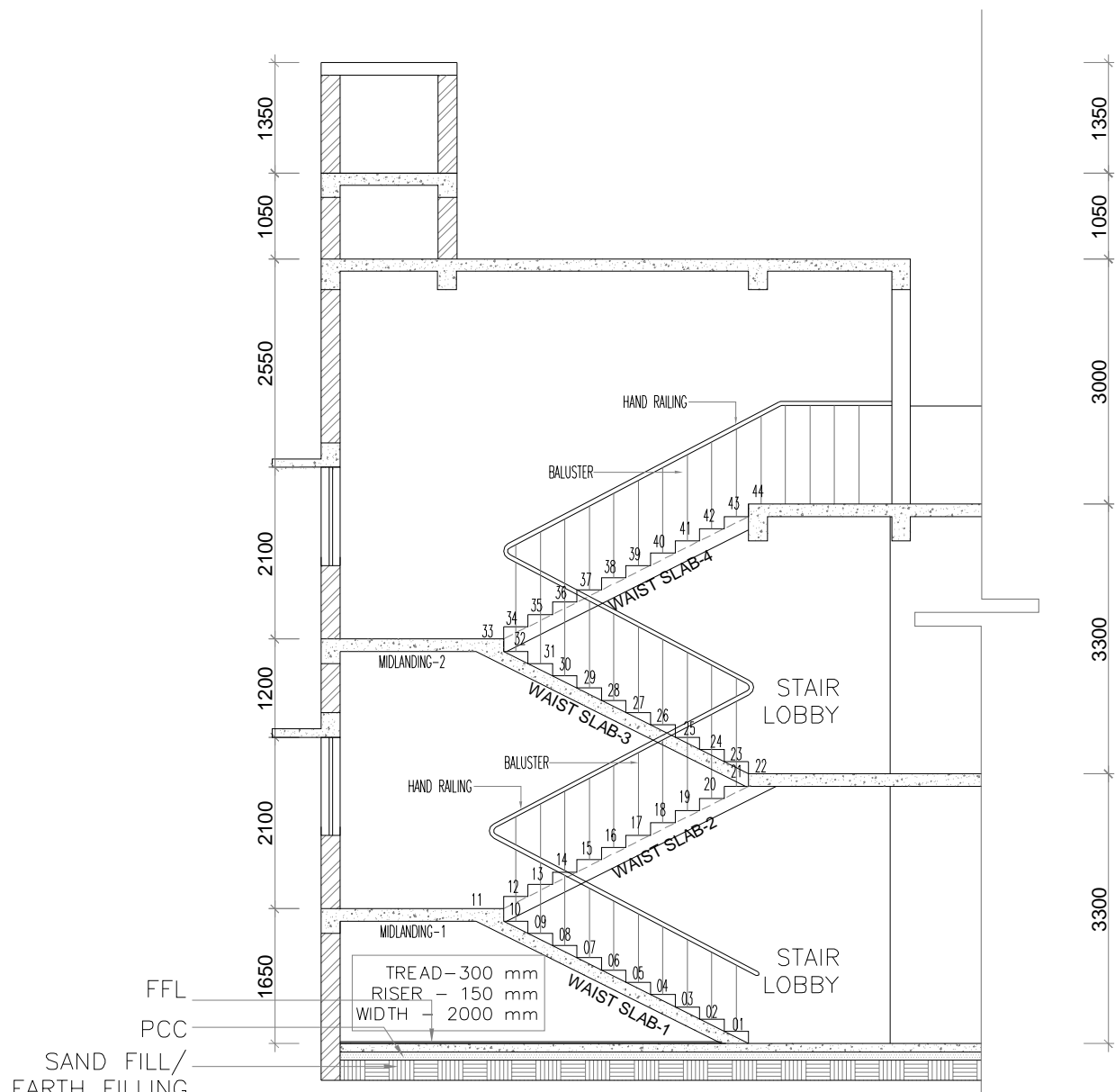
 NO.36, SARASWATHI ILLAM, JANAKIRAM COLONY MAIN RD.
 JANAKIRAM COLONY., ARUMBAKKAM., CHENNAI - 600 106.
 TELEPHONE:044-23637420,E-mail:nandaarchitects@gmail.com



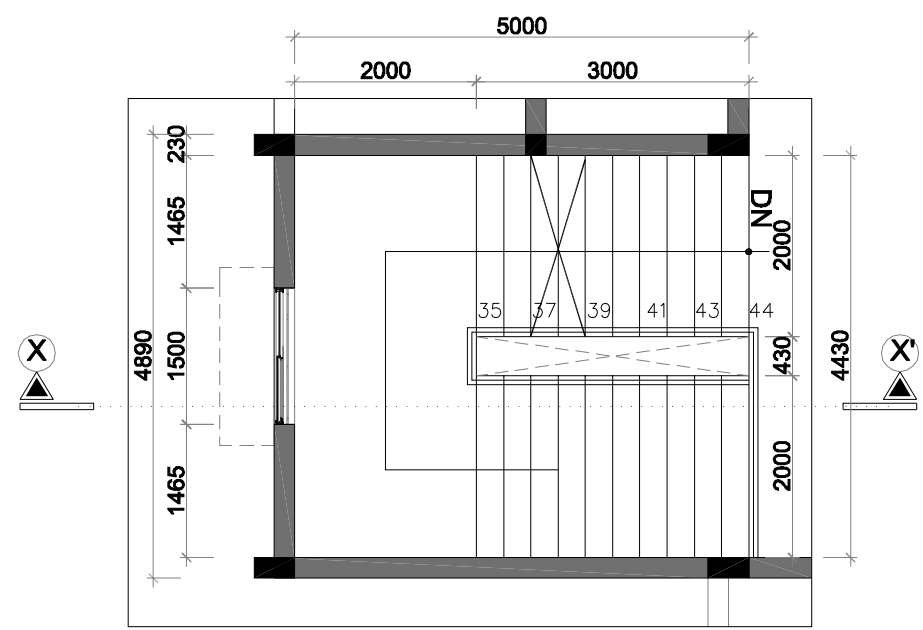
NOTE:ALL DIMENSIONS ARE IN MM

COPYRIGHT:
 All rights reserved. This work is copyright and cannot be or copied in any form or by any means (graphic, electronic or reproduced mechanical, including photocopying) without the written permission of nanda & associates. Any licence, express or implied, to use the document for any purpose whatsoever is restricted to the terms of the agreement or implied agreement with nanda & associates

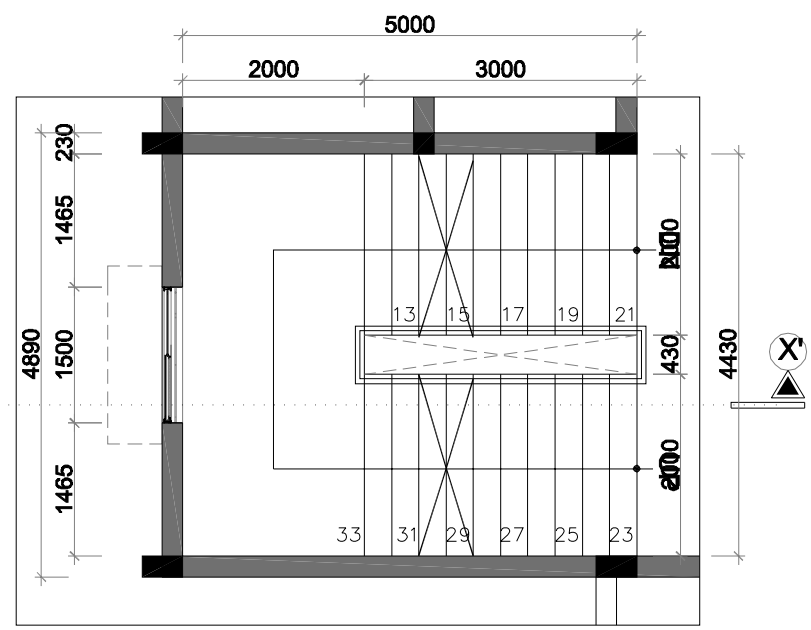
LEGEND:-
 230MM, 115MM THK BRICK WORK
 R.C.C COLUMN



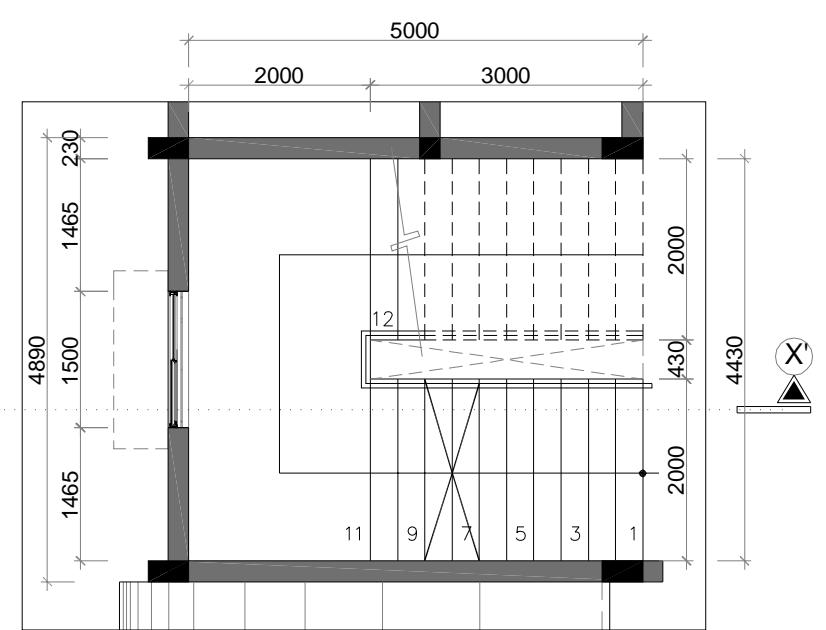
1350
1050
2550
2100
1200
2100
1650
3300
3300



TREAD - 300 mm
 RISER - 150 mm
 WIDTH - 2000 mm



TREAD - 300 mm
 RISER - 150 mm
 WIDTH - 2000 mm



TREAD - 300 mm
 RISER - 150 mm
 WIDTH - 2000 mm



STAIR CASE DETAIL

CLIENT:
 INDIAN BANK

PROJECT:
 PROPOSED CONSTRUCTION OF INDIAN BANK'S RURAL SELF EMPLOYMENT TRAINING INSTITUTE AT THIRUVANAMALAI, TAMILNADU.

DRAWING TITLE:
 STAIRCASE DETAIL

SCHEMATIC DRAWING WORKING DRAWING
 TENDER DRAWING AS BUILT DRAWING



SCALE : N.T.S	DATE : 07/02/2026	REV NO: 00
DRAWN BY : Dhina	CHECKED BY : Muni	
JOB NO : 2689/21	DWG NO : ARC - TR - 07	

ARCHITECT :
N&A NANDA & ASSOCIATES ARCHITECTS
 NO.36, SARASWATHI ILLAM, JANAKIRAM COLONY MAIN RD. JANAKIRAM COLONY., ARUMBAKKAM., CHENNAI - 600 106. TELEPHONE:044-23637420, E-mail:nandaarchitects@gmail.com

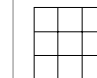
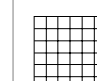
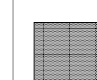
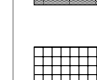
NOTE: ALL DIMENSIONS ARE IN MM

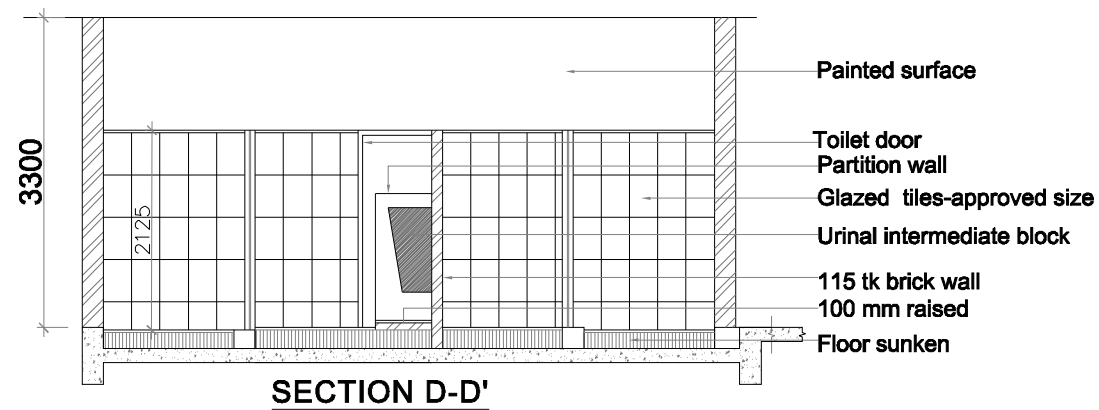
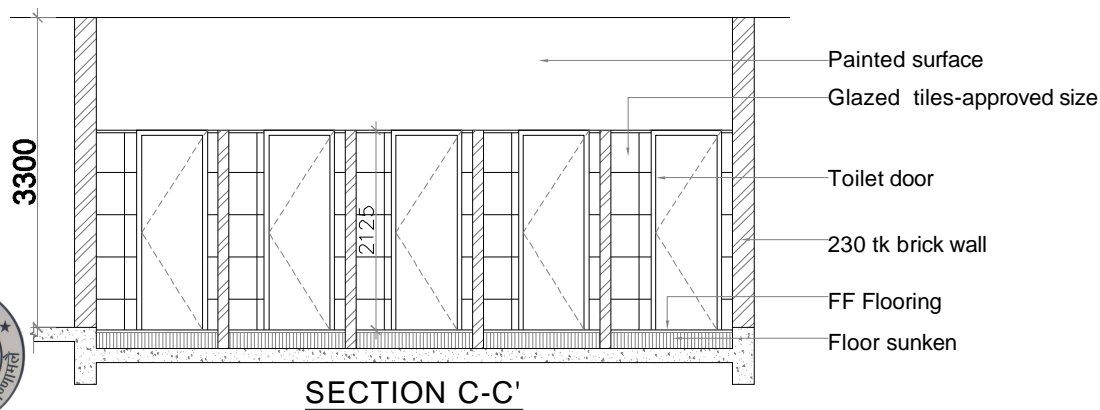
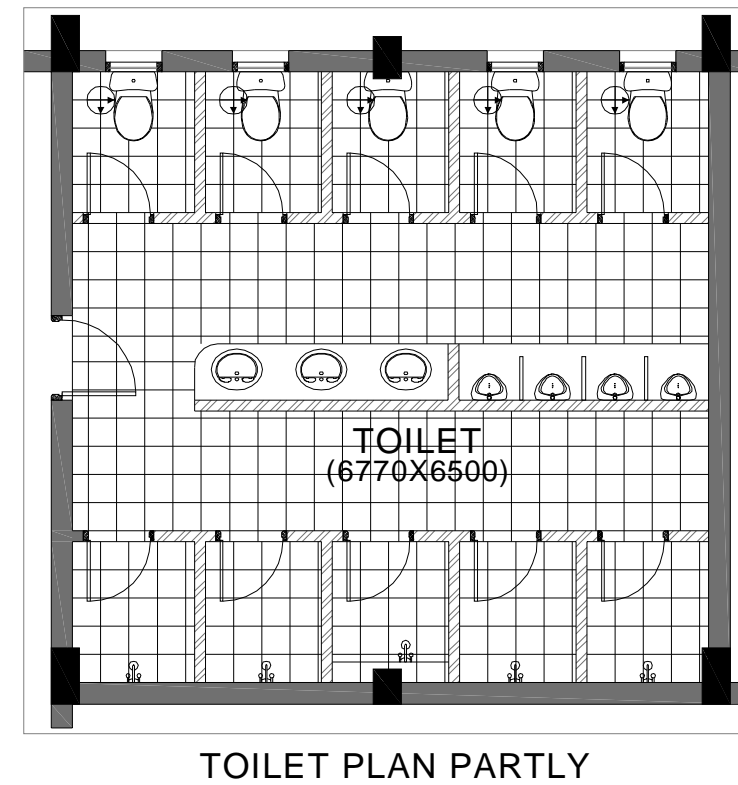
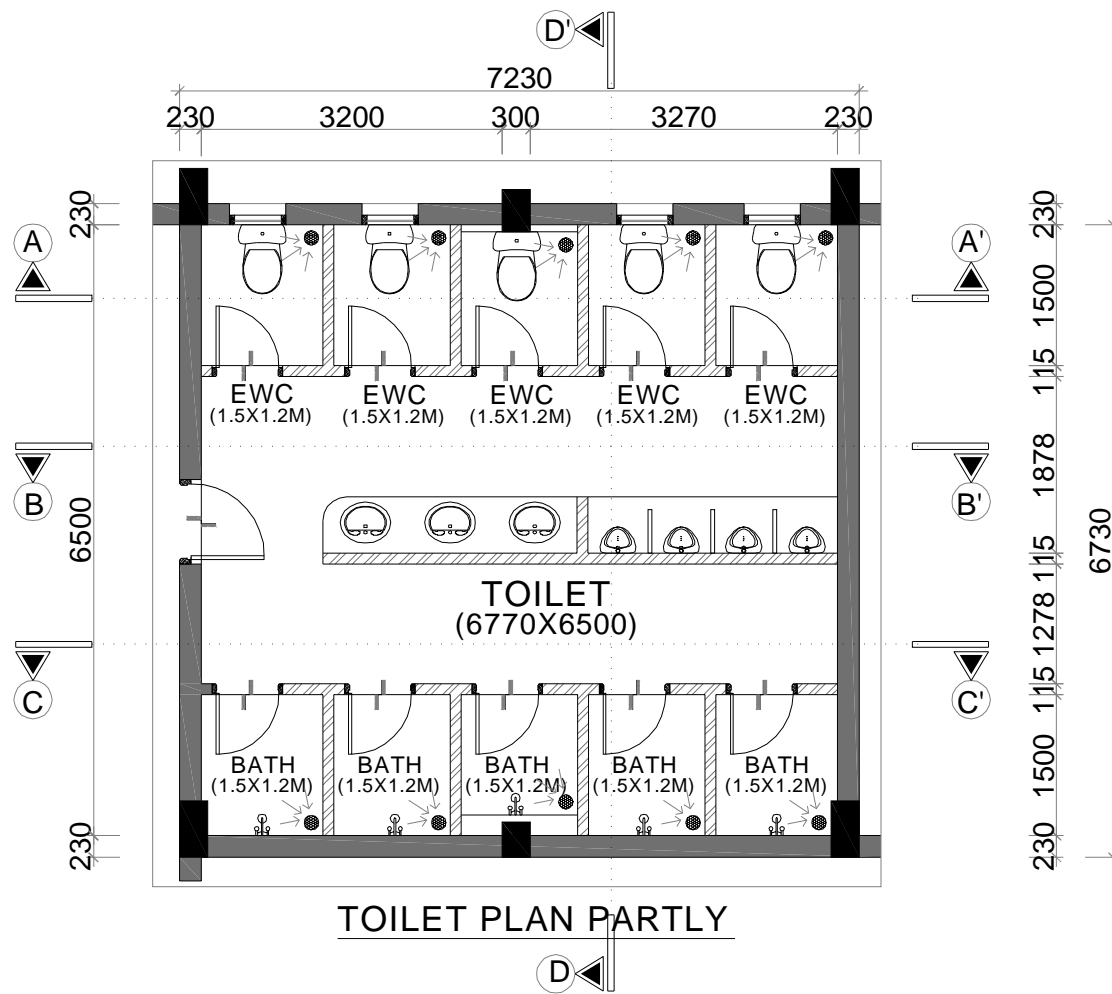
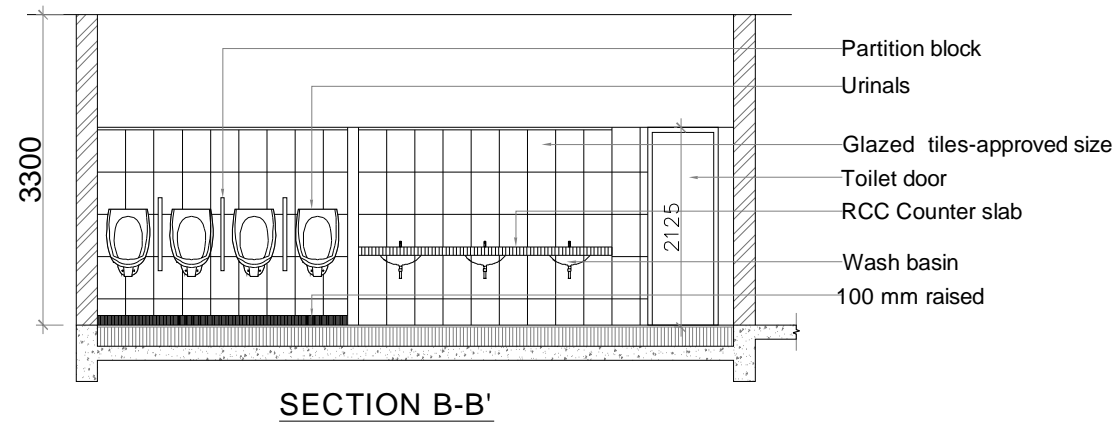
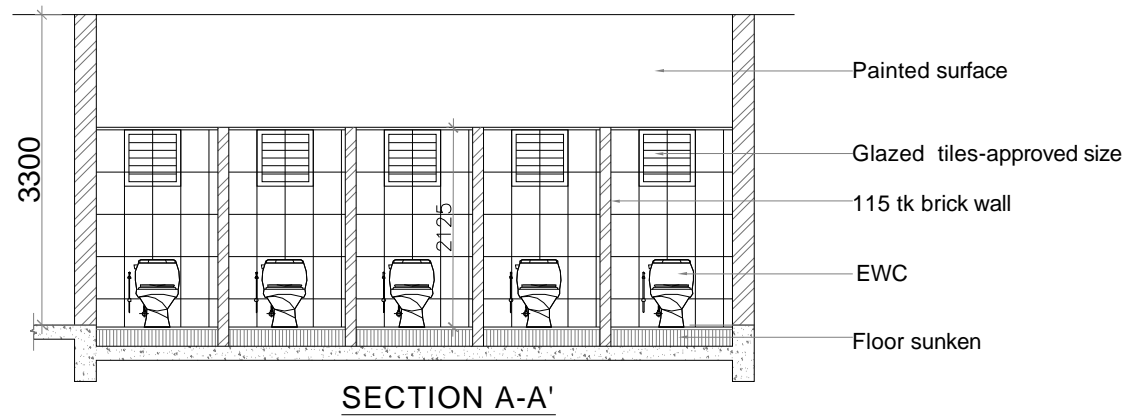
COPYRIGHT:
 All rights reserved. This work is copyright and cannot be or copied in any form or by any means (graphic, electronic or reproduced mechanical, including photocopying) without the written permission of nanda & associates. Any licence, express or implied, to use the document for any purpose whatsoever is restricted to the terms of the agreement or implied agreement with nanda & associates

LEGEND:-

-  230MM, 115MM THK BRICK WORK
-  R. C. C. COLUMN

LEGEND:-

-  2'X2' VERIFIED TILE
-  1'X1' CERAMIC TILE
-  ANTI SKID STEP TILES
-  WEATHERING COURSE TILE



CLIENT:

INDIAN BANK

PROJECT :

PROPOSED CONSTRUCTION OF INDIAN BANK'S RURAL SELF EMPLOYMENT TRAINING INSTITUTE AT THIRUVANAMALAI ,TAMILNADU.

DRAWING TITLE :

TOILET DETAIL

- SCHEMATIC DRAWING
- WORKING DRAWING
- TENDER DRAWING
- AS BUILT DRAWING

SCALE : N.T.S DATE : 07/02/2026 REV NO: 00
 DRAWN BY : Dhina CHECKED BY : Muni
 JOB NO : 2689/21 DWG NO : ARC - TR - 08

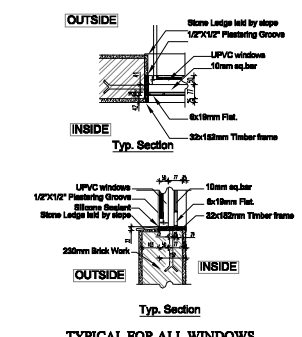
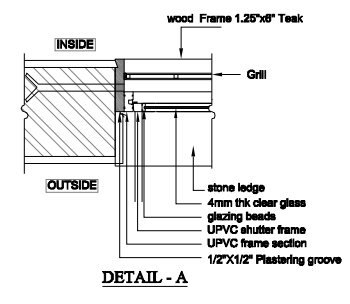
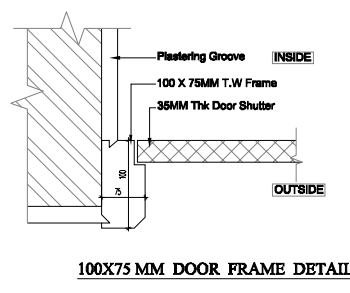
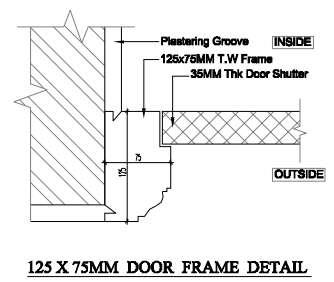
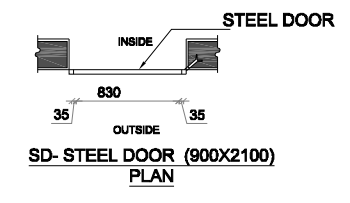
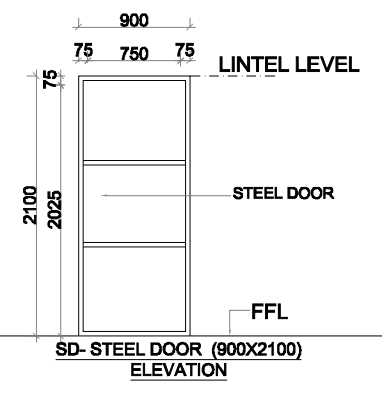
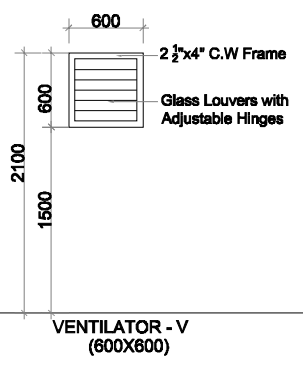
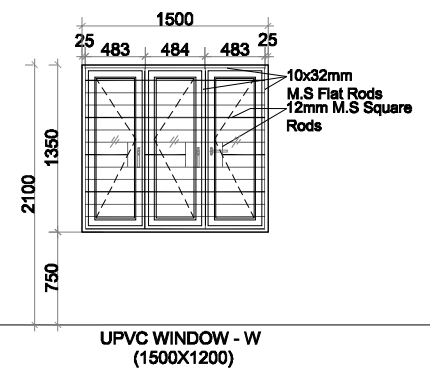
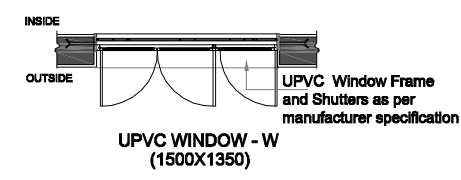
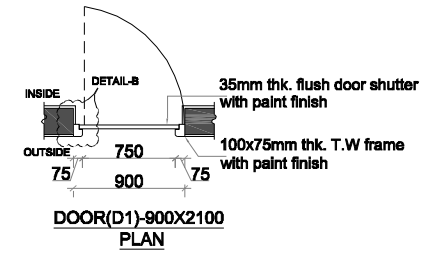
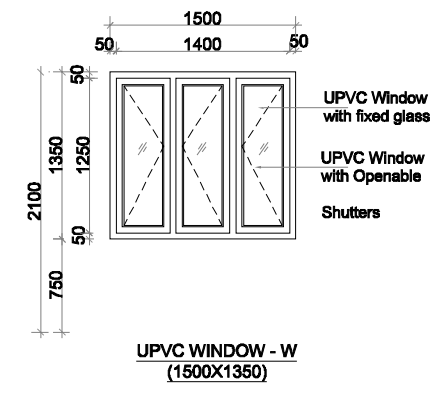
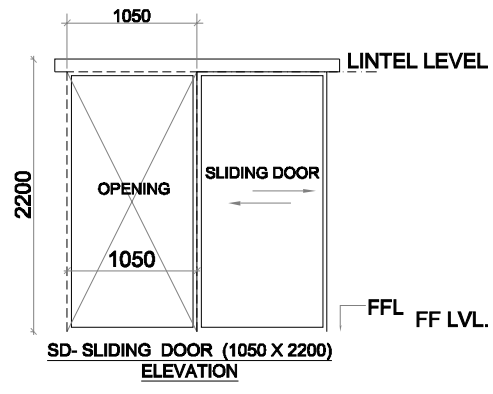
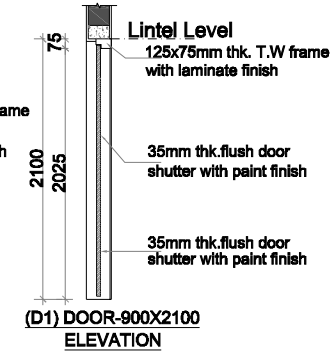
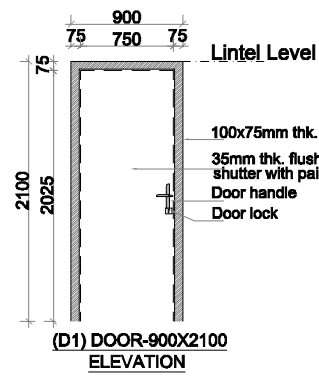
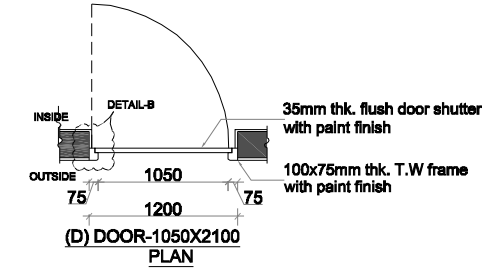
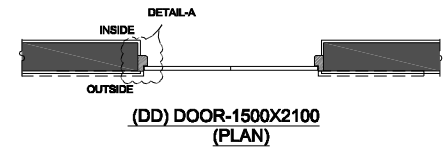
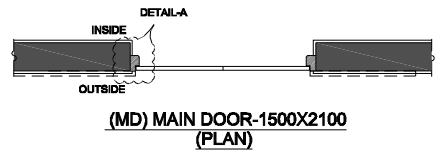
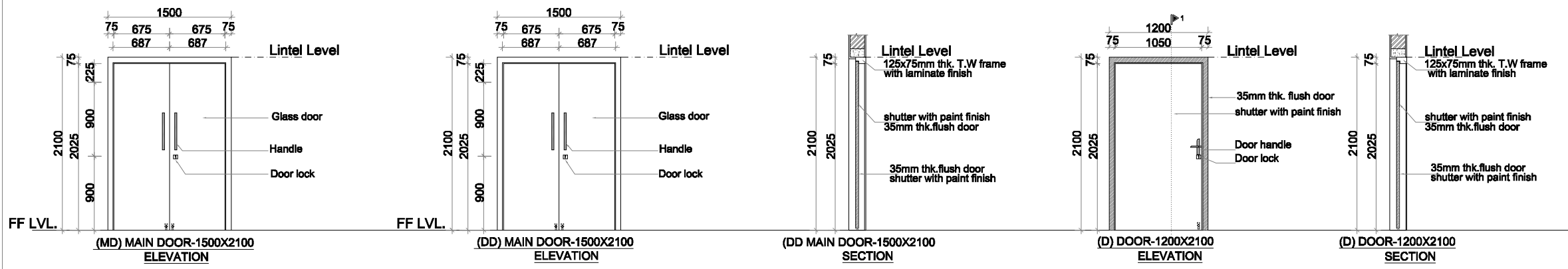
ARCHITECT :

NANDA & ASSOCIATES
 ARCHITECTS

NO.36, SARASWATHI ILLAM, JANAKIRAM COLONY MAIN RD.
 JANAKIRAM COLONY., ARUMBAKKAM., CHENNAI - 600 106.
 TELEPHONE:044-23637420,E-mail:nandaarchitects@gmail.com

NOTE: ALL DIMENSIONS ARE IN MM





COPYRIGHT:
All rights reserved, this work is copyright and cannot be or copied in any form or by any means (graphic, electronic or reproduced mechanical, including photocopying) without the written permission of nanda & associates. Any licence, express or implied, to use the document for any purpose whatsoever is restricted to the terms of the agreement or implied agreement with nanda & associates

LEGEND:-
230MM, 115MM THK BRICK WORK
R. C. C COLUMN

SCHEDULE OF JOINERY

S.NO.	SYMBOL	DESCRIPTION	SIZE
1	MD	MAIN DOOR (GLASS)	1500X2100
2	DD	DOUBLE SHUTTER	1500X2100
3	D	DOOR	1200X2100
4	D1	FLUSH DOOR	900X2100
5	D2	PVC DOOR	750X2100
6	SD	SLIDING DOOR	1050x2100
7	W	WINDOW	1500 x1350
8	V	VENTILATOR	600X600
9	STD	STEEL DOOR	900X2100

CLIENT:
INDIAN BANK

PROJECT:
PROPOSED CONSTRUCTION OF INDIAN BANK'S RURAL SELF EMPLOYMENT TRAINING INSTITUTE AT THIRUVANAMALAI, TAMILNADU.

DRAWING TITLE:
JOINERY DETAIL

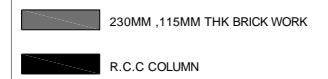
SCHEMATIC DRAWING WORKING DRAWING
 TENDER DRAWING AS BUILT DRAWING

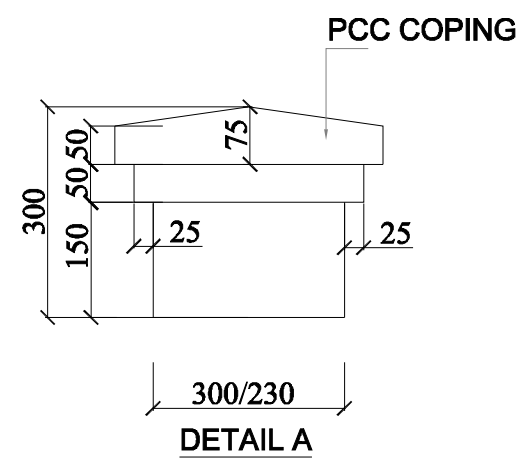
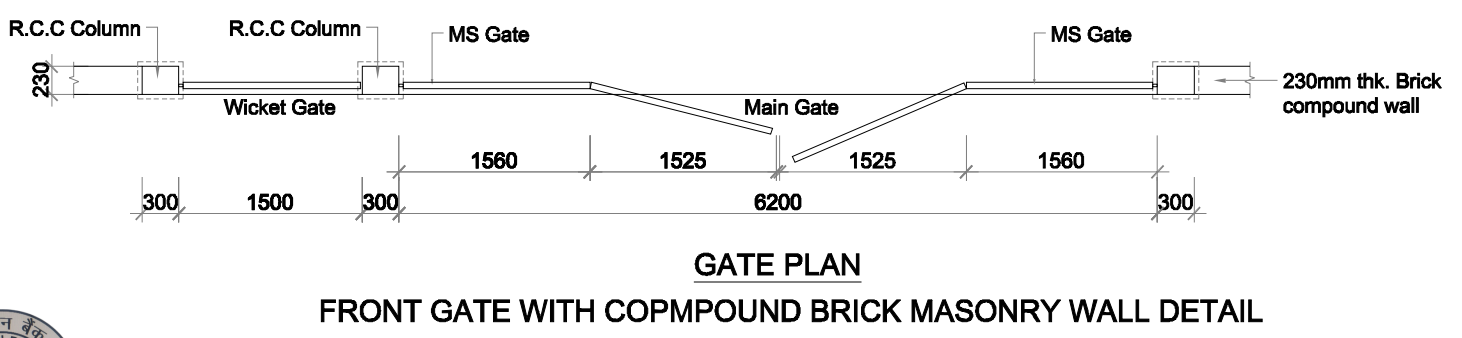
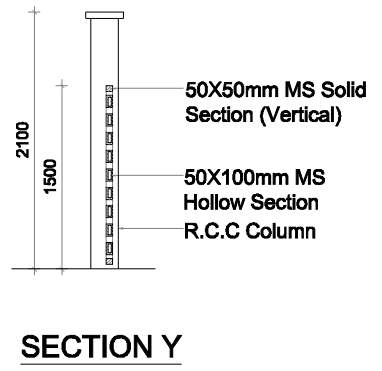
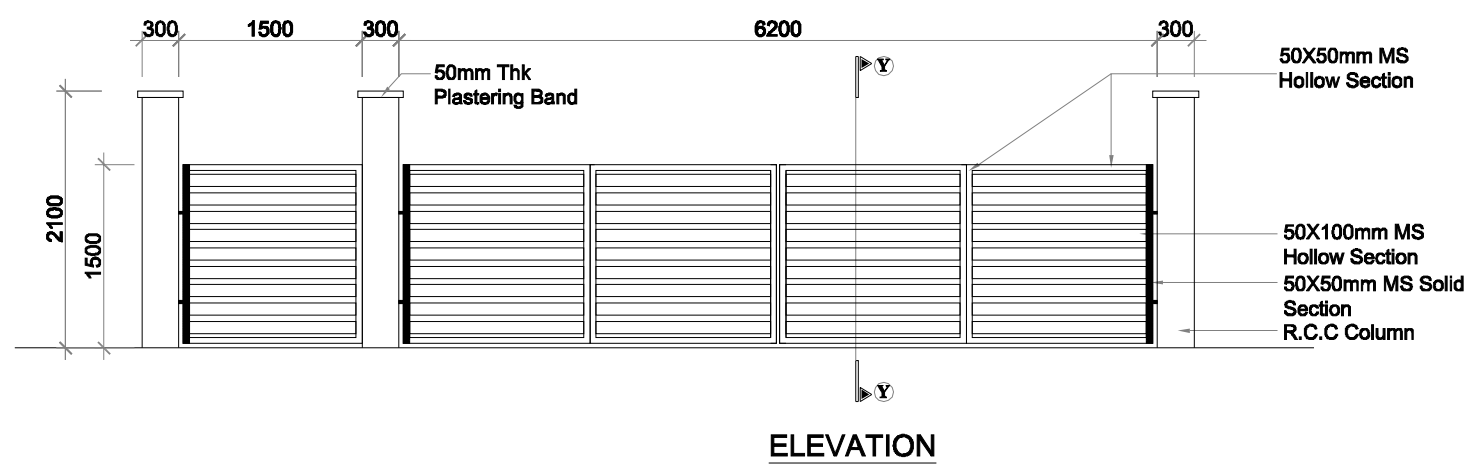
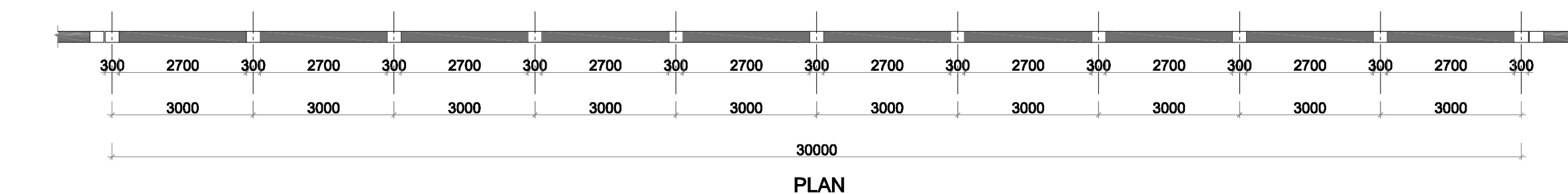
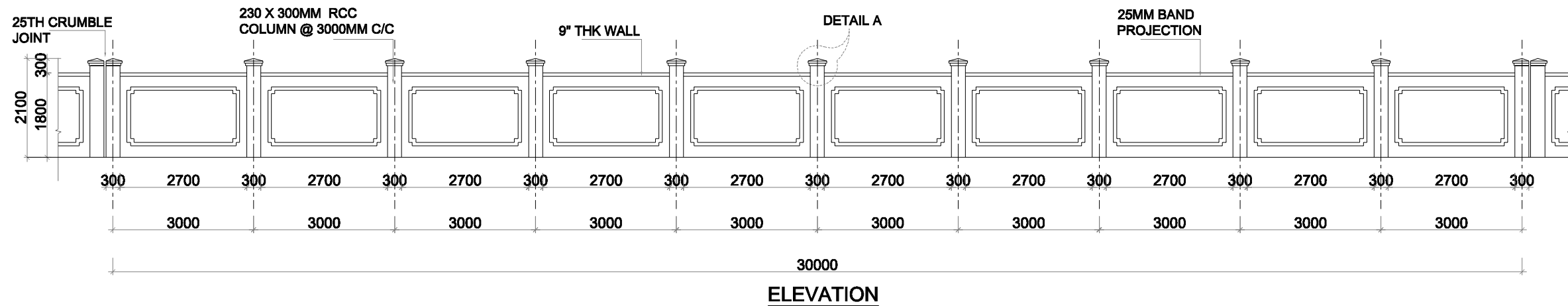
SCALE : N.T.S DATE : 07/02/2026 REV NO: 00
DRAWN BY : Dhina CHECKED BY : Muni
JOB NO : 2689/21 DWG NO : ARC - TR - 09

ARCHITECT :
NANDA & ASSOCIATES ARCHITECTS
NO.36, SARASWATHI ILLAM, JANAKIRAM COLONY MAIN RD. JANAKIRAM COLONY., ARUMBAKKAM., CHENNAI - 600 106. TELEPHONE:044-23637420, E-mail:nandaarchitects@gmail.com

NOTE: ALL DIMENSIONS ARE IN MM

COPYRIGHT:
All rights reserved. This work is copyright and cannot be or copied in any form or by any means (graphic, electronic or reproduced mechanical, including photocopying) without the written permission of nanda & associates. Any licence, express or implied, to use the document for any purpose whatsoever is restricted to the terms of the agreement or implied agreement with nanda & associates

LEGEND:-

 230MM, 115MM THK BRICK WORK
 R.C.C. COLUMN



FRONT GATE WITH COPMPOUND BRICK MASONRY WALL DETAIL

CLIENT:
INDIAN BANK

PROJECT:
PROPOSED CONSTRUCTION OF INDIAN BANK'S RURAL SELF EMPLOYMENT TRAINING INSTITUTE AT THIRUVANAMALAI, TAMILNADU.

DRAWING TITLE:
MAIN GATE AND C.WALL DETAIL

SCHEMATIC DRAWING WORKING DRAWING
 TENDER DRAWING AS BUILT DRAWING

SCALE : N.T.S	DATE : 07/02/2026	REV NO: 00
DRAWN BY : Dhina	CHECKED BY : Muni	
JOB NO : 2689/21	DWG NO : ARC - TR - 10	

ARCHITECT :

NANDA & ASSOCIATES
 ARCHITECTS
 NO.36, SARASWATHI ILLAM, JANAKIRAM COLONY MAIN RD. JANAKIRAM COLONY., ARUMBAKKAM., CHENNAI - 600 106. TELEPHONE:044-23637420,E-mail:nandaarchitects@gmail.com

NOTE: ALL DIMENSIONS ARE IN MM



COPYRIGHT:
 All rights reserved. This work is copyright and cannot be or copied in any form or by any means (graphic, electronic or reproduced mechanical, including photocopying) without the written permission of nanda & associates. Any licence, express or implied, to use the document for any purpose whatsoever is restricted to the terms of the agreement or implied agreement with nanda & associates

LEGEND:-

 230MM, 115MM THK BRICK WORK
 R.C.C COLUMN

CLIENT:
 INDIAN BANK

PROJECT :
 PROPOSED CONSTRUCTION OF INDIAN BANK'S RURAL SELF EMPLOYMENT TRAINING INSTITUTE AT THIRUVANAMALAI, TAMILNADU.

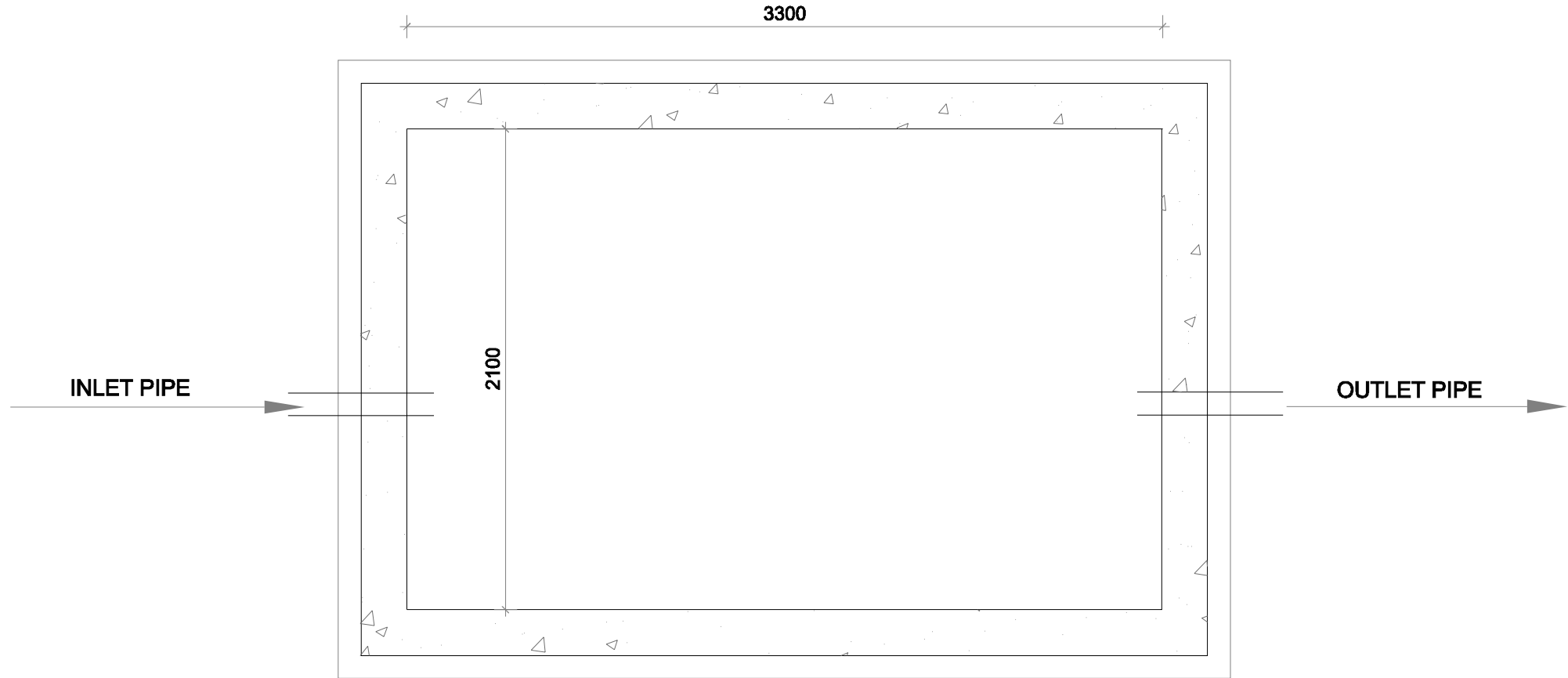
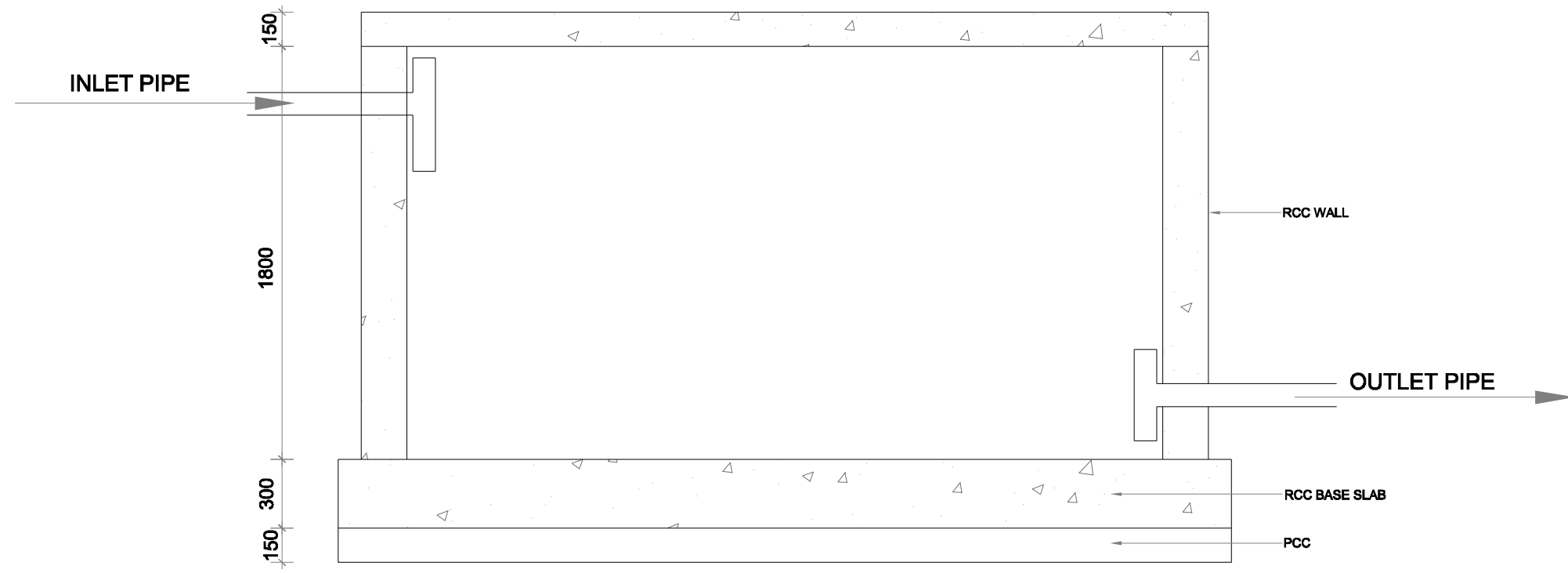
DRAWING TITLE :
 UNDERGROUND SUMP DETAIL

SCHEMATIC DRAWING WORKING DRAWING
 TENDER DRAWING AS BUILT DRAWING

SCALE : N.T.S	DATE : 07/02/2026	REV NO: 00
DRAWN BY : Dhina	CHECKED BY : Muni	
JOB NO : 2689/21	DWG NO : ARC - TR - 11	

ARCHITECT :

NANDA & ASSOCIATES
 ARCHITECTS
 NO.36, SARASWATHI ILLAM, JANAKIRAM COLONY MAIN RD.
 JANAKIRAM COLONY., ARUMBAKKAM., CHENNAI - 600 106.
 TELEPHONE:044-23637420, E-mail:nandaarchitects@gmail.com



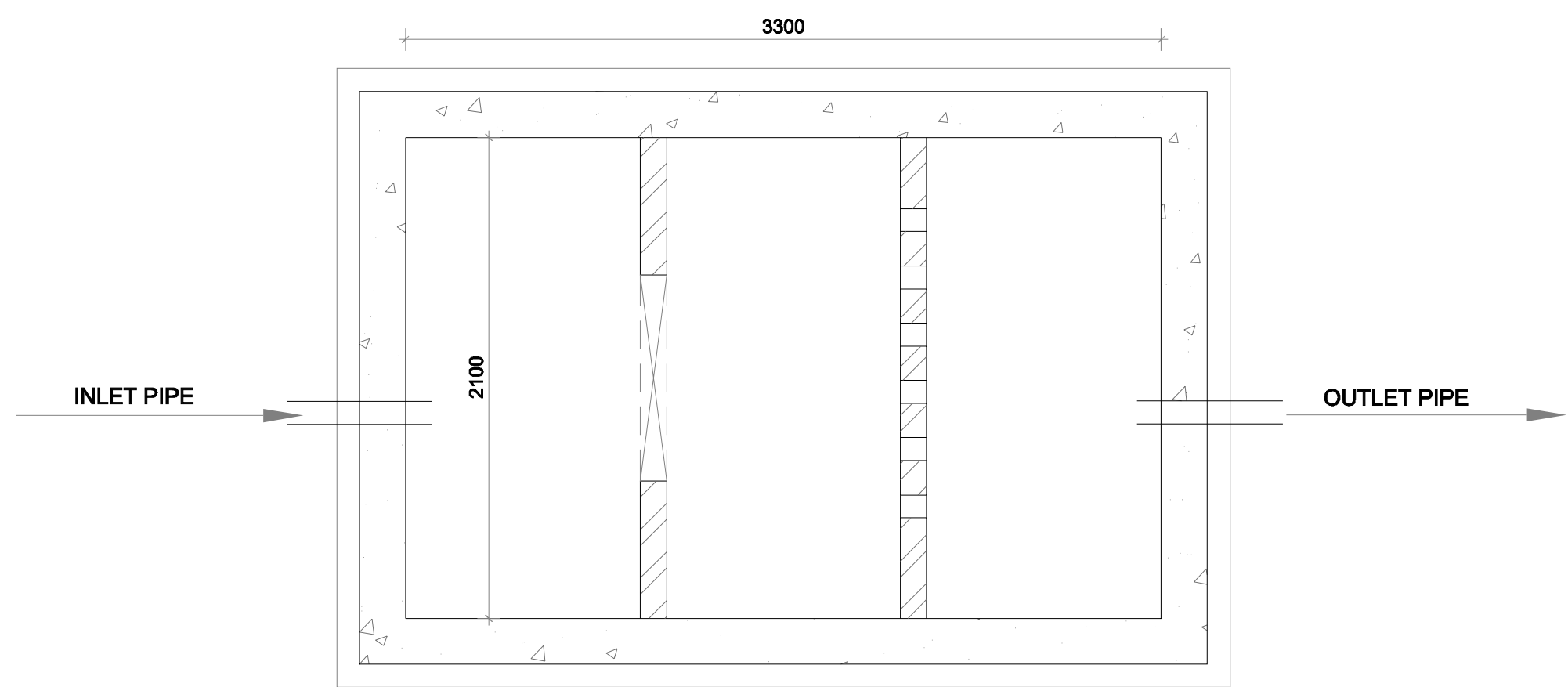
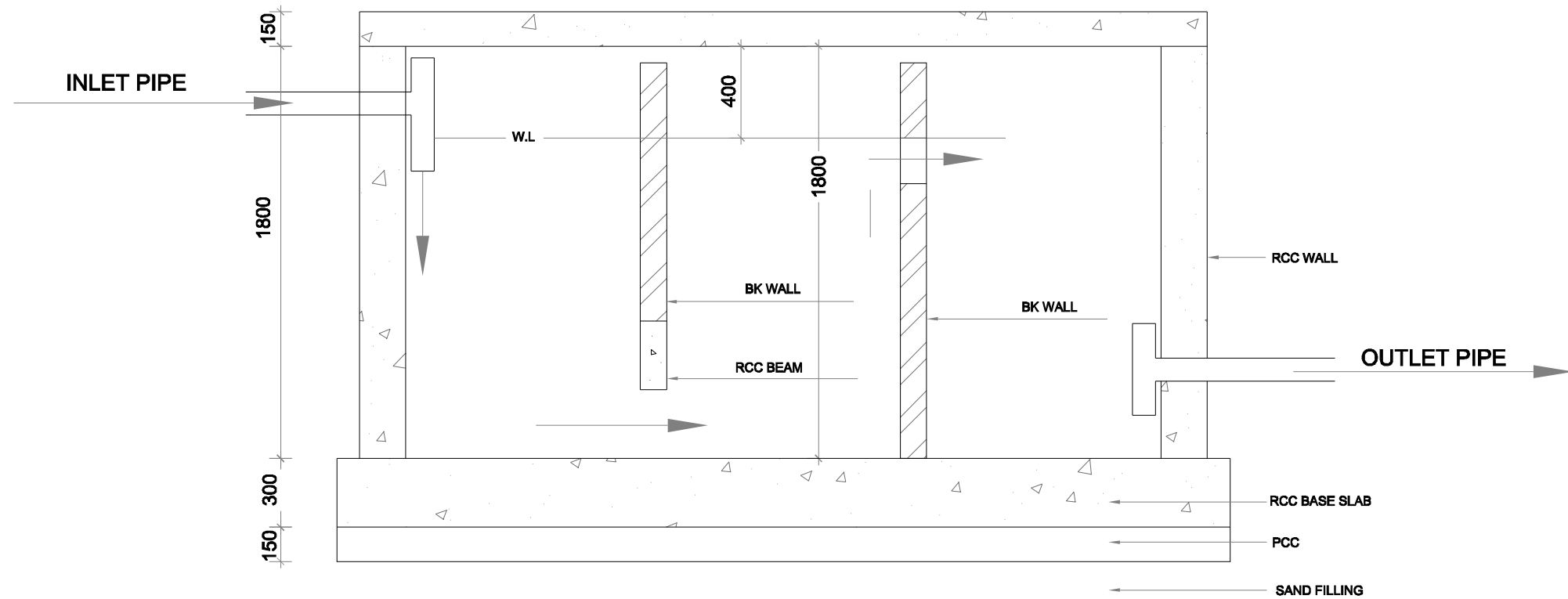
PLAN OF SUMP
 3300 x 2100 x 1800
 (10,000 LITERS CAPACITY)

NOTE: ALL DIMENSIONS ARE IN MM



COPYRIGHT:
 All rights reserved. This work is copyright and cannot be or copied in any form or by any means (graphic, electronic or reproduced mechanical, including photocopying) without the written permission of nanda & associates. Any licence, express or implied, to use the document for any purpose whatsoever is restricted to the terms of the agreement or implied agreement with nanda & associates

LEGEND:-
 [Hatched Box] 230MM, 115MM THK BRICK WORK
 [Solid Box] R.C.C COLUMN



PLAN OF SEPTIC TANK
 3300 x 2100 x 1800
 (10,000 LITERS CAPACITY)

CLIENT:
 INDIAN BANK

PROJECT:
 PROPOSED CONSTRUCTION OF INDIAN BANK'S RURAL SELF EMPLOYMENT TRAINING INSTITUTE AT THIRUVANAMALAI, TAMILNADU.

DRAWING TITLE:
 SEPTIC TANK DETAIL

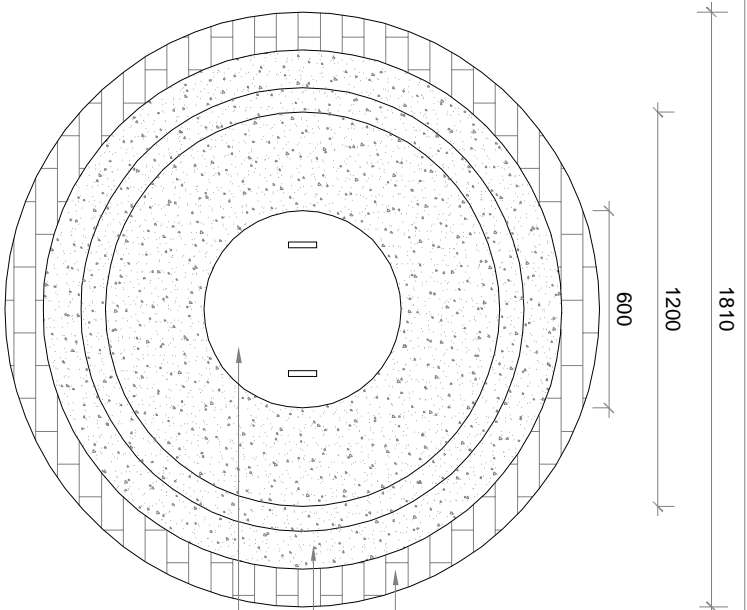
SCHEMATIC DRAWING WORKING DRAWING
 TENDER DRAWING AS BUILT DRAWING

SCALE : N.T.S	DATE : 07/02/2026	REV NO: 00
DRAWN BY : Dhina	CHECKED BY : Muni	
JOB NO : 2689/21	DWG NO : ARC - TR - 12	

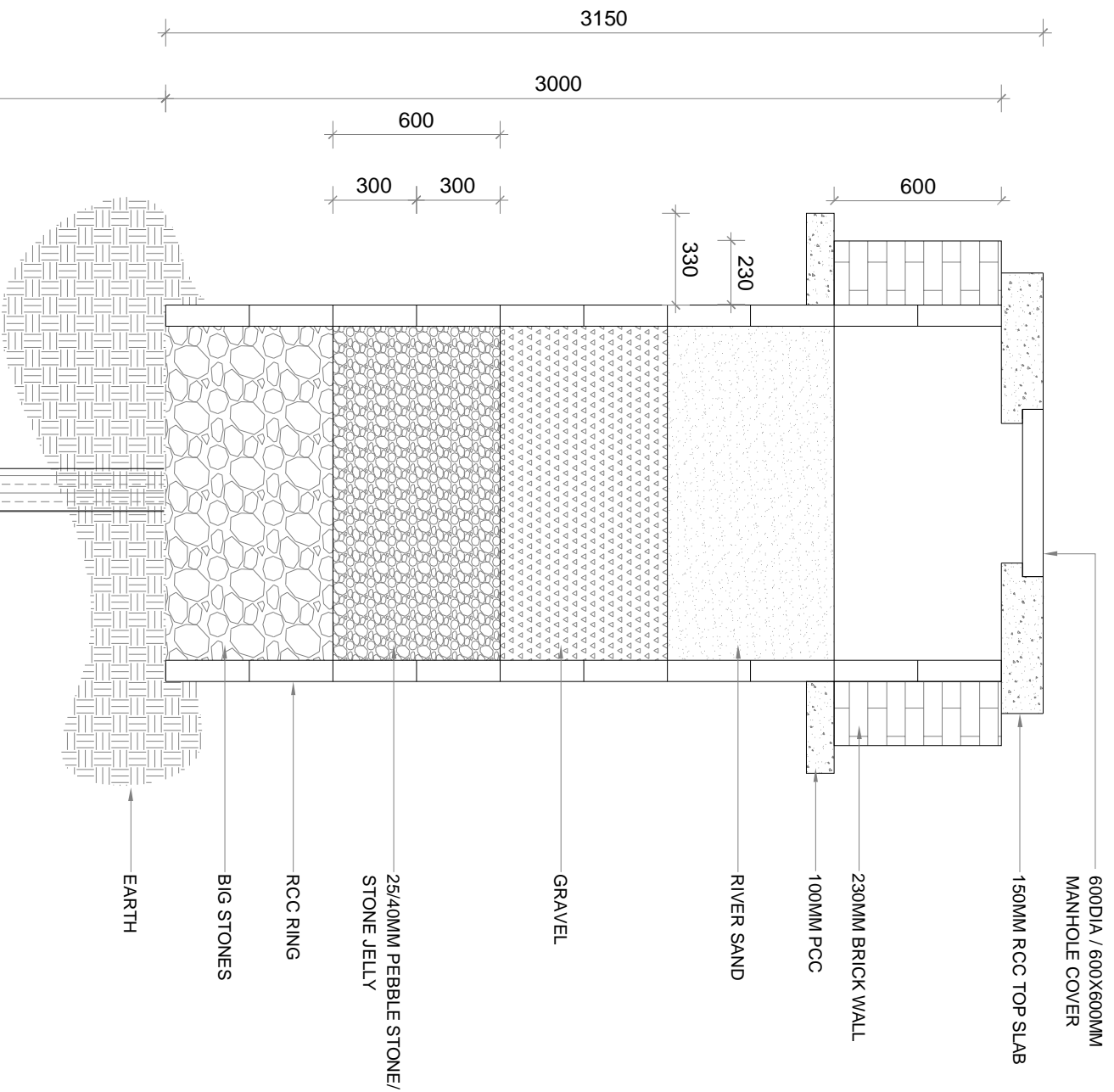
ARCHITECT:
N&A NANDA & ASSOCIATES ARCHITECTS
 NO.36, SARASWATHI ILLAM, JANAKIRAM COLONY MAIN RD. JANAKIRAM COLONY., ARUMBAKKAM., CHENNAI - 600 106. TELEPHONE:044-23637420, E-mail:nandaarchitects@gmail.com

NOTE: ALL DIMENSIONS ARE IN MM





PLAN



110Ø PVC SLOTTED PIPE

SECTION

COPYRIGHT:
All rights reserved. This work is copyright and cannot be or copied in any form or by any means (graphic, electronic or reproduced mechanical including photocopying) without the written permission of nanda & associates. Any science express or implied to use the document for any purpose whatsoever is restricted to the terms of the agreement or implied agreement with nanda & associates

REV.	DESCRIPTION	DATE	BY	DRN.

CLIENT:
INDIAN BANK SELF EMPLOYMENT TRAINING INSTITUTE (INDSETI)

PROJECT:
PROPOSED CONSTRUCTION OF INDIAN BANK'S RURAL SELF EMPLOYMENT TRAINING INSTITUTE AT THIRUVANAMALAI, TAMILNADU.

DRAWING TITLE :
SOAK PITS

- SCHEMATIC DRAWING WORKING DRAWING
 TENDER DRAWING AS BUILT DRAWING

SCALE : N.T.S	DATE : 07/02/2026	REV NO.:
DRAWN BY : DHINA	CHECKED BY : MJUNI	00
JOB NO : 289921	DWG NO : ARC - TR - 13	

ARCHITECT :

N&A ARCHITECTS

NO.36, SARASWATHI ILLAM, JANAKIRAM COLONY MAIN RD, JANAKIRAM COLONY, ARUMBARKKAM, CHENNAI - 600 106. TELEPHONE: 044-23637420. E-mail: nandaarchitects@gmail.com